



Chipsmall Limited consists of a professional team with an average of over 10 year of expertise in the distribution of electronic components. Based in Hongkong, we have already established firm and mutual-benefit business relationships with customers from,Europe,America and south Asia,supplying obsolete and hard-to-find components to meet their specific needs.

With the principle of “Quality Parts,Customers Priority,Honest Operation,and Considerate Service”,our business mainly focus on the distribution of electronic components. Line cards we deal with include Microchip,ALPS,ROHM,Xilinx,Pulse,ON,Everlight and Freescale. Main products comprise IC,Modules,Potentiometer,IC Socket,Relay,Connector.Our parts cover such applications as commercial,industrial, and automotives areas.

We are looking forward to setting up business relationship with you and hope to provide you with the best service and solution. Let us make a better world for our industry!



## Contact us

Tel: +86-755-8981 8866 Fax: +86-755-8427 6832

Email & Skype: info@chipsmall.com Web: www.chipsmall.com

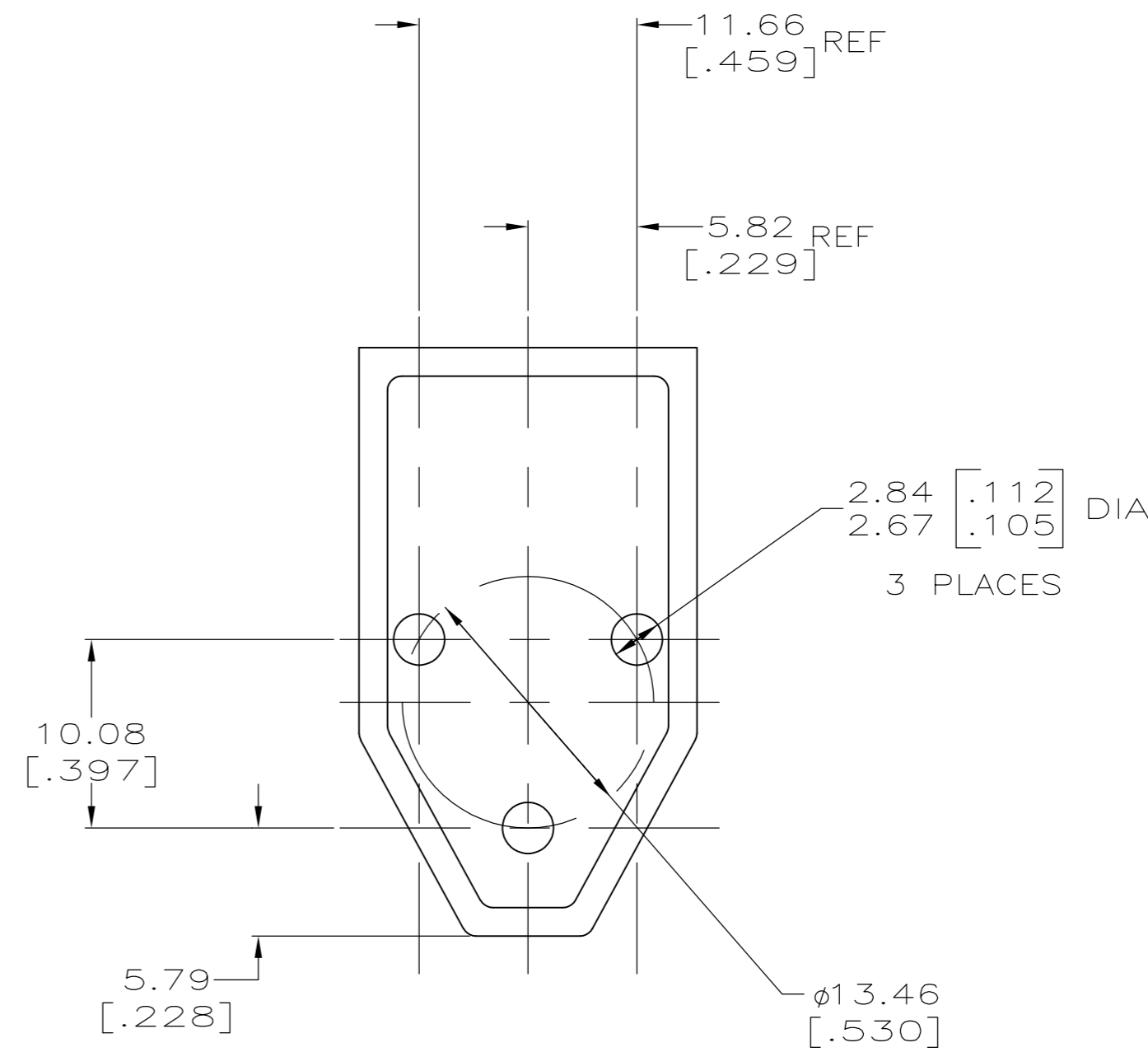
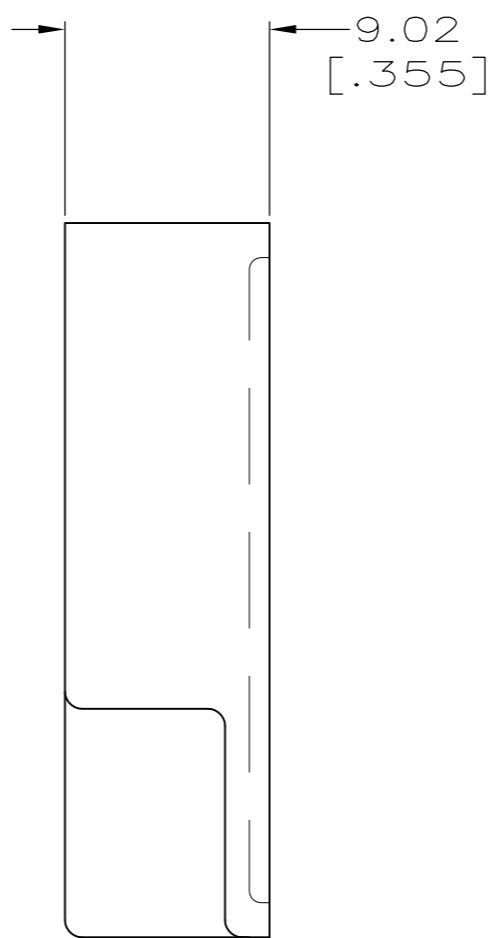
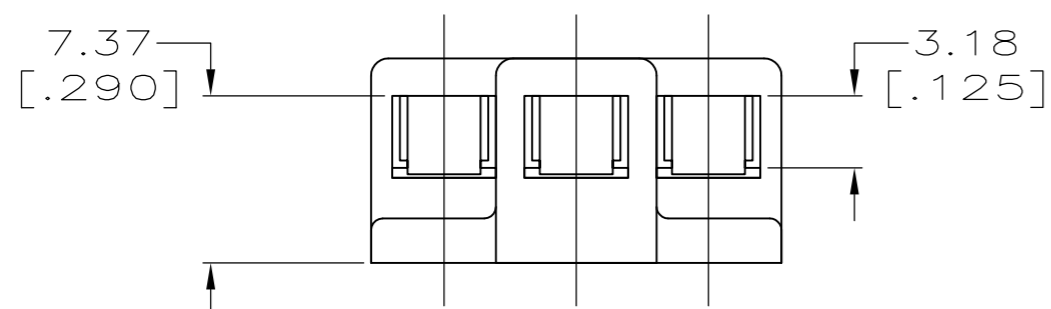
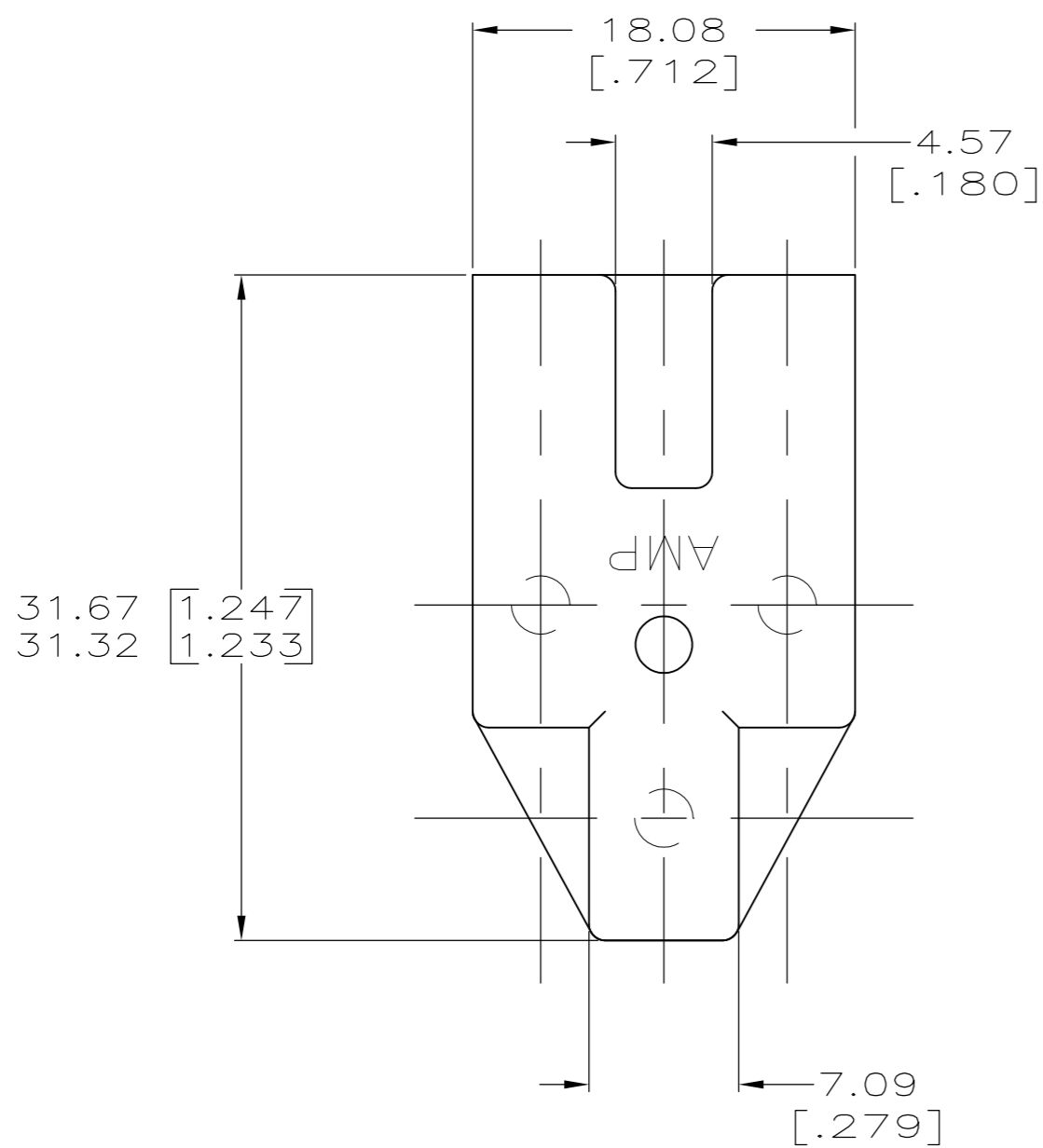
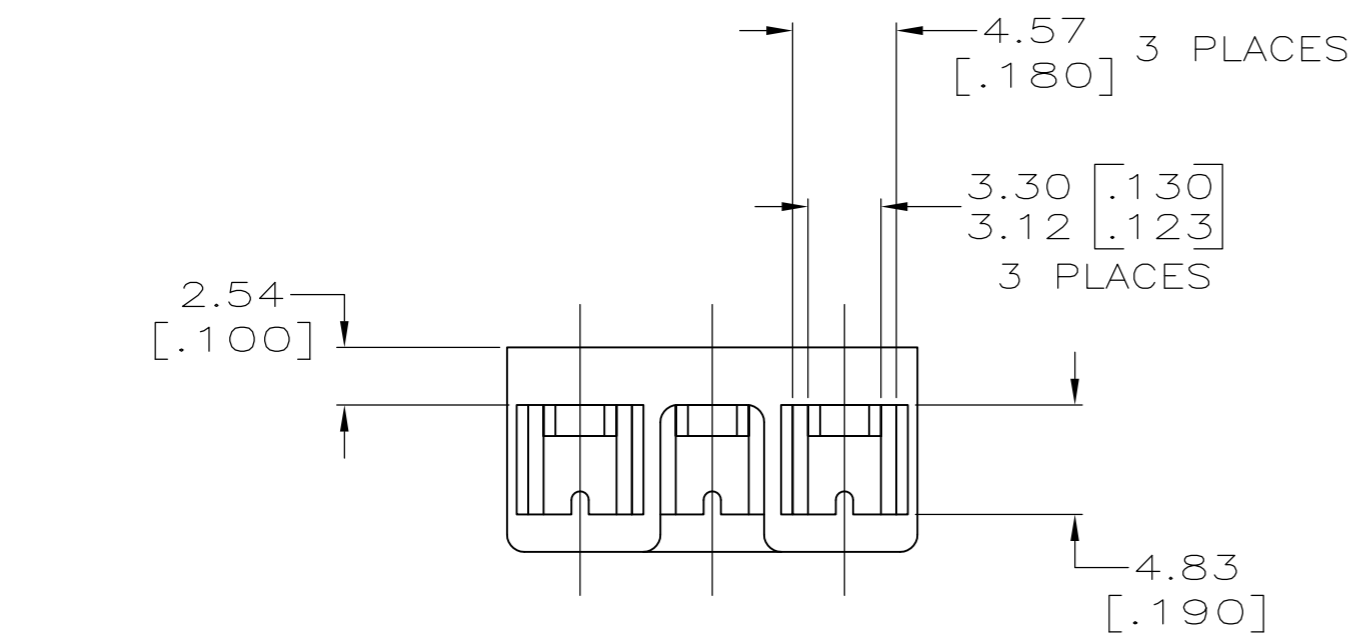
Address: A1208, Overseas Decoration Building, #122 Zhenhua RD., Futian, Shenzhen, China



THIS DRAWING IS UNPUBLISHED. RELEASED FOR PUBLICATION  
 © COPYRIGHT BY TYCO ELECTRONICS CORPORATION. ALL INTERNATIONAL RIGHTS RESERVED.

LOC		DIST		REVISIONS			
P	LTR	DESCRIPTION		DATE	DWN	APVD	
AF	50	C		REVISED PER ECR-09-006862	12AUG09	HMR	CJ

1 HOUSING ACCEPTS 2.29 [.090] DIA CLUSTER BLOCK PIN RECEPTACLE.



1217263-1

PART NUMBER

THIS DRAWING IS A CONTROLLED DOCUMENT.		DWN MICHAEL S. FEHER 08NOV1999	Tyco Electronics Corporation Harrisburg, PA 17105-3608	
DIMENSIONS: mm [INCHES]		CHK PETE DESANTIS 12NOV1999	NAME HOUSING, CLUSTER BLOCK, 2.29 [.090] DIA	
TOLERANCES UNLESS OTHERWISE SPECIFIED:		APVD PETE DESANTIS 12NOV1999	RESTRICTED TO	
0 PLC ± -		PRODUCT SPEC 108-2008	SIZE A2	CAGE CODE 00779
1 PLC ± -		APPLICATION SPEC 114-2019	DRAWING NO C=1217263	RESTRICTED TO
2 PLC ± 0.25[.010]		WEIGHT -	SCALE 3:1	SHEET 1 of 1
3 PLC ± -		FINISH NATURAL	REV C	
4 PLC ± -				
ANGLES ± 3°				
MATERIAL PBT UNFILLED				