



Chipsmall Limited consists of a professional team with an average of over 10 year of expertise in the distribution of electronic components. Based in Hongkong, we have already established firm and mutual-benefit business relationships with customers from,Europe,America and south Asia,supplying obsolete and hard-to-find components to meet their specific needs.

With the principle of "Quality Parts,Customers Priority,Honest Operation,and Considerate Service",our business mainly focus on the distribution of electronic components. Line cards we deal with include Microchip,ALPS,ROHM,Xilinx,Pulse,ON,Everlight and Freescale. Main products comprise IC,Modules,Potentiometer,IC Socket,Relay,Connector.Our parts cover such applications as commercial,industrial, and automotives areas.

We are looking forward to setting up business relationship with you and hope to provide you with the best service and solution. Let us make a better world for our industry!



Contact us

Tel: +86-755-8981 8866 Fax: +86-755-8427 6832

Email & Skype: info@chipsmall.com Web: www.chipsmall.com

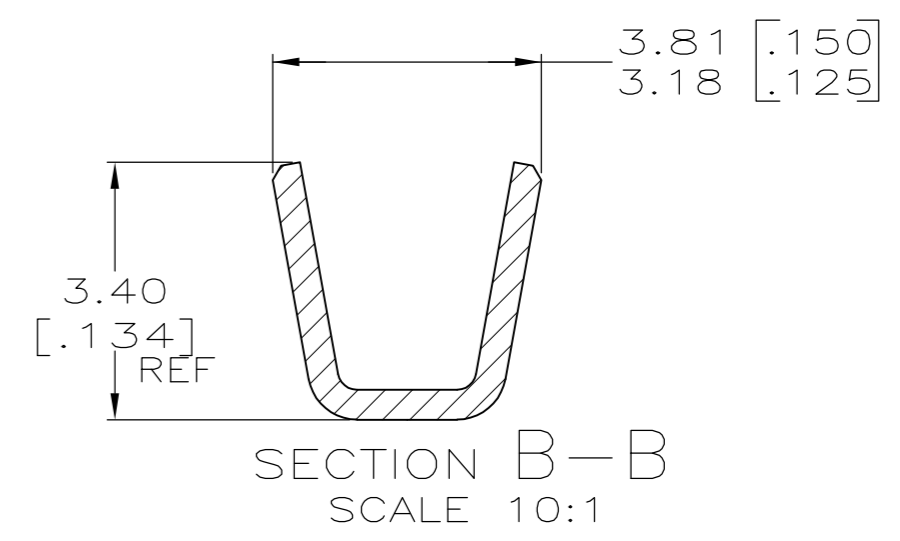
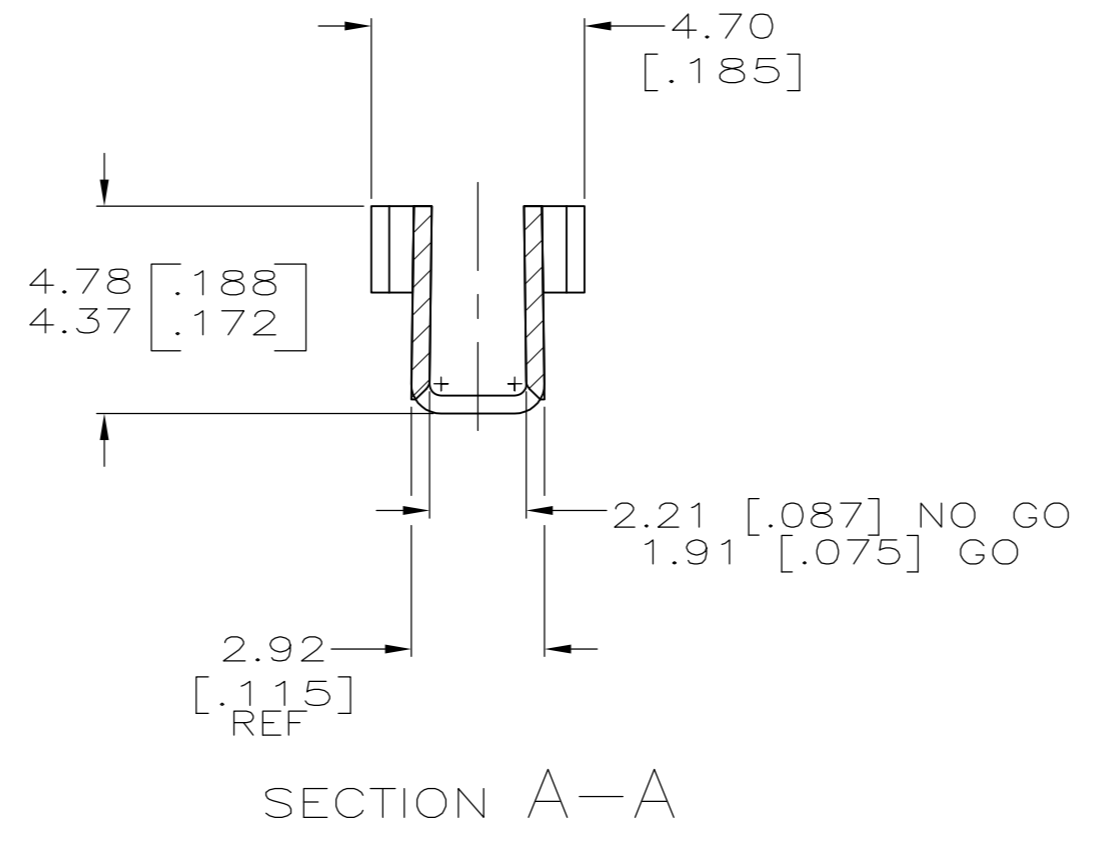
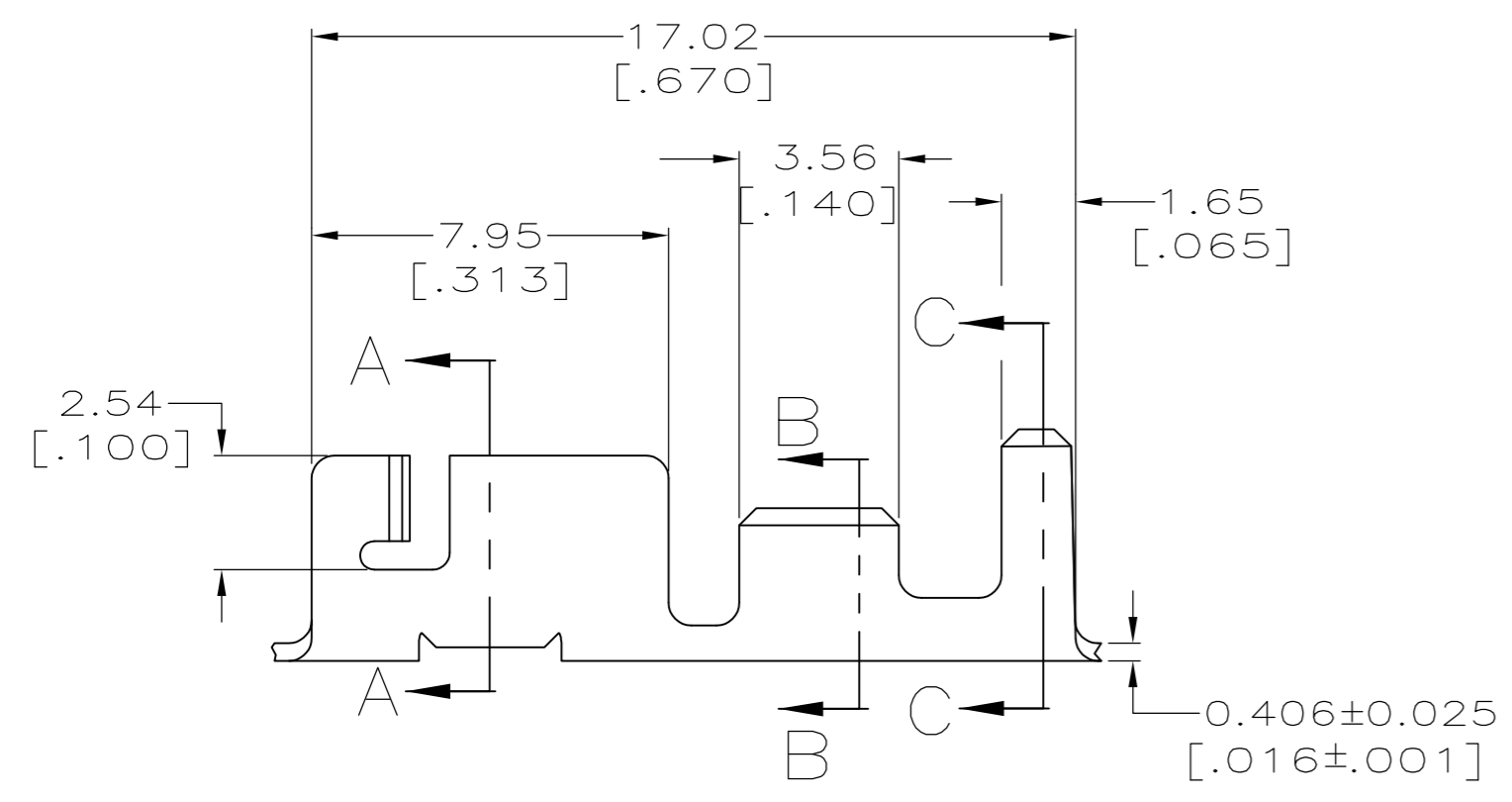
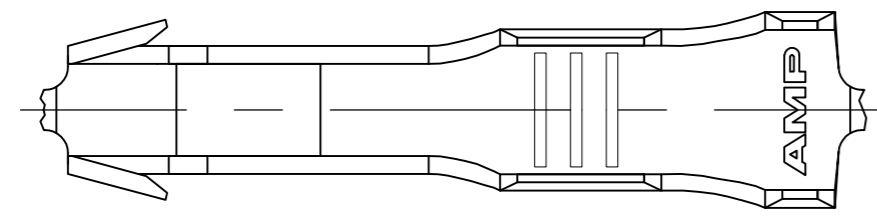
Address: A1208, Overseas Decoration Building, #122 Zhenhua RD., Futian, Shenzhen, China



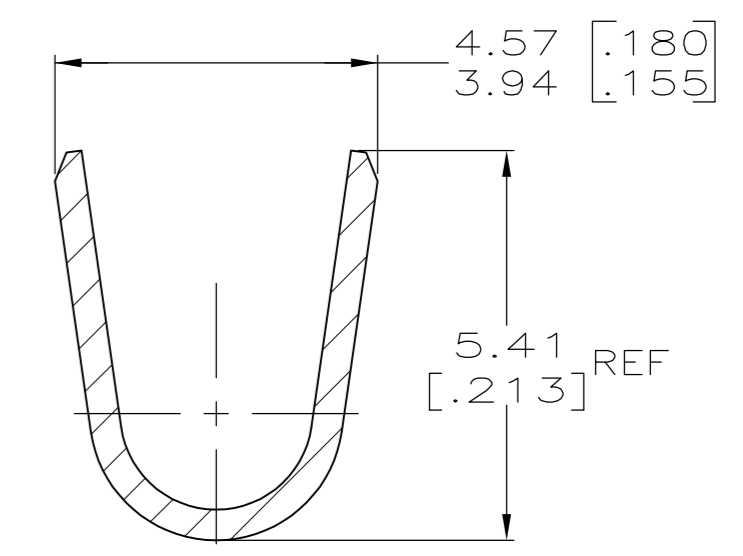
THIS DRAWING IS UNPUBLISHED. RELEASED FOR PUBLICATION
 © COPYRIGHT - By - ALL RIGHTS RESERVED.

LOC		DIST		REVISIONS			
P	LTR	DESCRIPTION		DATE	DWN	APVD	
AF	50	E		REVISED PER ECR-12-016352	16NOV12	KH	GJ

- 1 CONTINUOUS STRIP ON REELS WITH TERMINALS LOCATED ON 18.67±0.08 [.735±.003] CENTERS.
- 2 PRODUCT SPEC DOES NOT APPLY TO PART NUMBER 1217264-2.
- △ PRELIMINARY - NOT FOR PRODUCTION.



SECTION B-B
SCALE 10:1



SECTION C-C
SCALE 10:1

TYPE	WIDTH	STRIP LENGTH ±0.38 ±0.15	TYPE	WIDTH	±0.51 ±.002 HEIGHT	WIRE
F OR O	3.3 [.130]	4.37 [.172]	F	2.54 [.100]	1.30 [.05]	0.35 mm ² [22]
					1.35 [.053]	0.5 mm ² [20]
					1.45 [.057]	0.75 mm ² [18]
					1.63 [.064]	1.5 mm ² [16]
					1.85 [.073]	2.0 mm ² [14]
INSUL BARREL CRIMP	WIRE BARREL CRIMP					

H02 CU-FE, C19500	2.03-3.81 [.080-.150] DIA	#22-#14 AWG	△ 1217264-2
H03 TIN-BRASS	2.03-3.81 [.080-.150] DIA	#22-#14 AWG	1217264-1
MATERIAL	INSULATION RANGE	WIRE BARREL	PART NUMBER

THIS DRAWING IS A CONTROLLED DOCUMENT.		DWN 09NOV1999 MICHAEL S. FEHER	STE TE Connectivity	
DIMENSIONS: mm [INCHES]		CHK 12NOV1999 PETE DESANTIS		
TOLERANCES UNLESS OTHERWISE SPECIFIED:		APVD 12NOV1999 ALEX HUNT III	NAME	
0 PLC ± -		PRODUCT SPEC	RECEPTACLE, CLUSTER PIN, 2.29 [.090] DIA	
1 PLC ± -		108-2008 △ 2	-	
2 PLC ± 0.25[.010]		APPLICATION SPEC	SIZE CAGE CODE DRAWING NO RESTRICTED TO	
3 PLC ± -		114-2019	A2 00779 C=1217264	
4 PLC ± -		WEIGHT -	SCALE 6:1 SHEET 1 OF 1 REV E	
ANGLES ± -		FINISH POST TIN		
MATERIAL SEE TABLE		CUSTOMER DRAWING		