



Chipsmall Limited consists of a professional team with an average of over 10 year of expertise in the distribution of electronic components. Based in Hongkong, we have already established firm and mutual-benefit business relationships with customers from,Europe,America and south Asia,supplying obsolete and hard-to-find components to meet their specific needs.

With the principle of “Quality Parts,Customers Priority,Honest Operation,and Considerate Service”,our business mainly focus on the distribution of electronic components. Line cards we deal with include Microchip,ALPS,ROHM,Xilinx,Pulse,ON,Everlight and Freescale. Main products comprise IC,Modules,Potentiometer,IC Socket,Relay,Connector.Our parts cover such applications as commercial,industrial, and automotives areas.

We are looking forward to setting up business relationship with you and hope to provide you with the best service and solution. Let us make a better world for our industry!



## Contact us

Tel: +86-755-8981 8866 Fax: +86-755-8427 6832

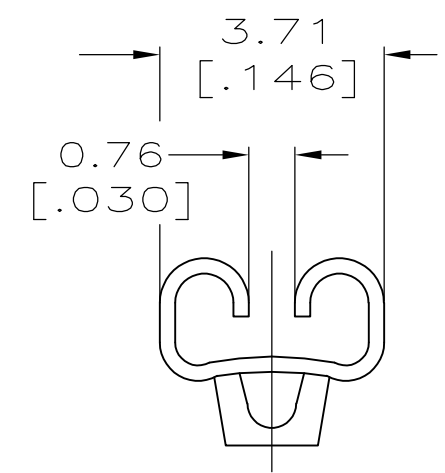
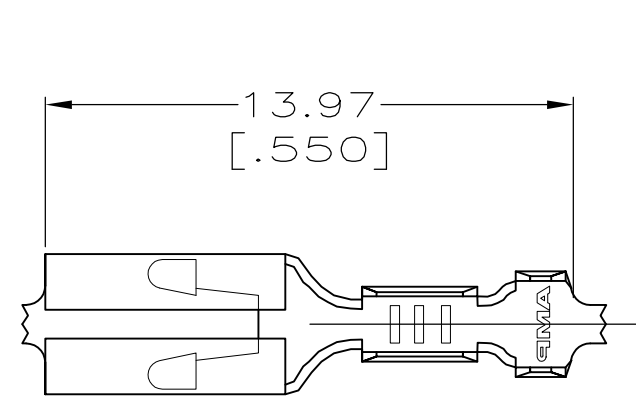
Email & Skype: info@chipsmall.com Web: www.chipsmall.com

Address: A1208, Overseas Decoration Building, #122 Zhenhua RD., Futian, Shenzhen, China



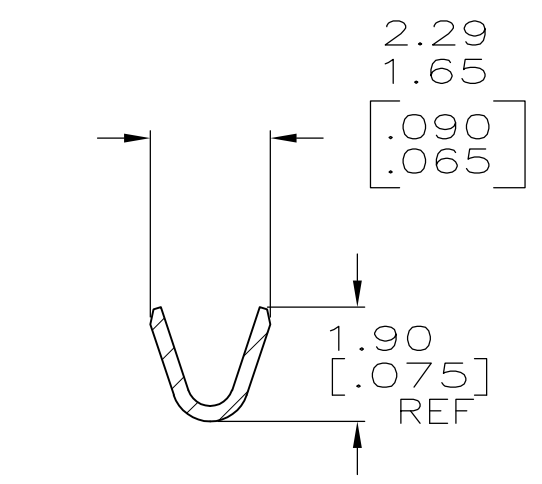
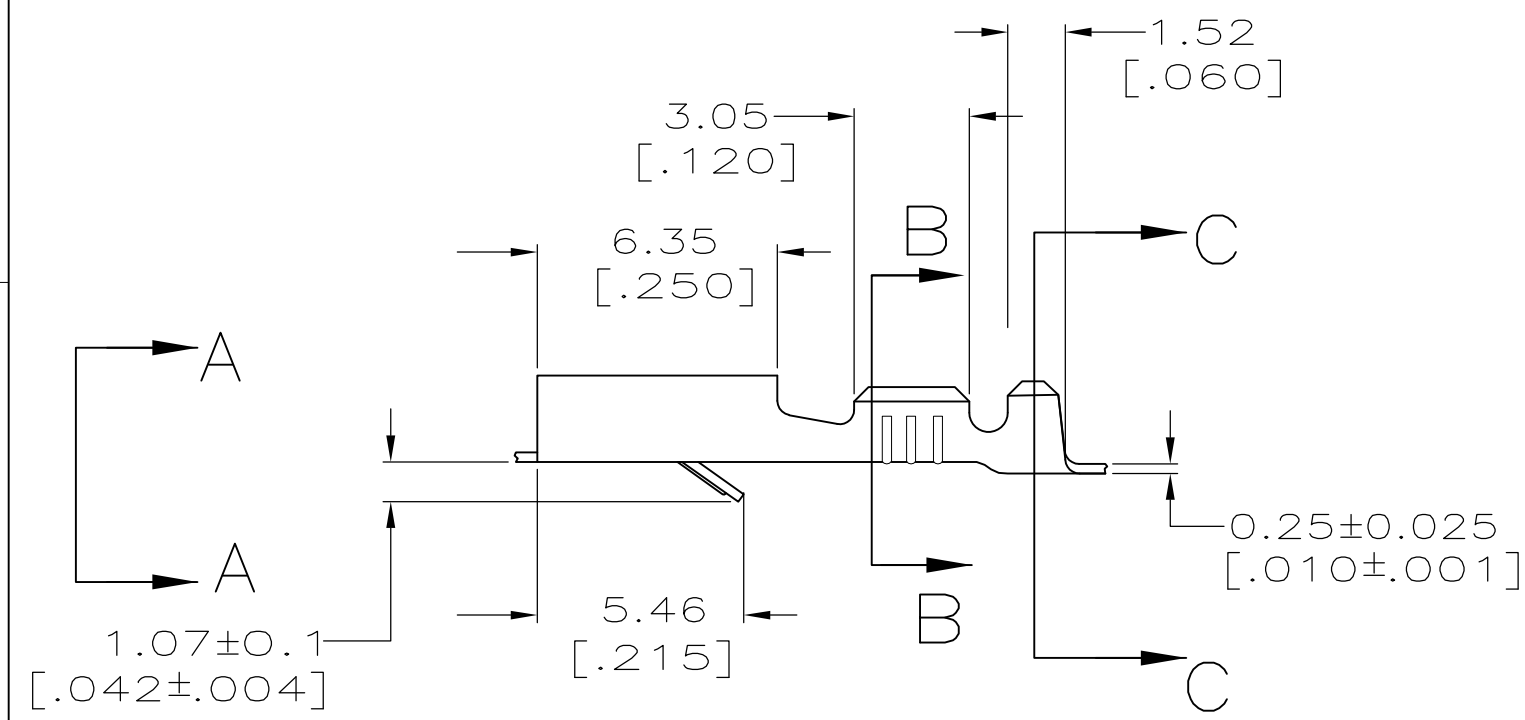
THIS DRAWING IS UNPUBLISHED. RELEASED FOR PUBLICATION  
 © COPYRIGHT - By - ALL RIGHTS RESERVED.

LOC	DIST	REVISIONS					
AF	50	P	LTR	DESCRIPTION	DATE	DWN	APVD
			J3	REVISED PER ECO-11-005027	11MAR11	RK	HMR

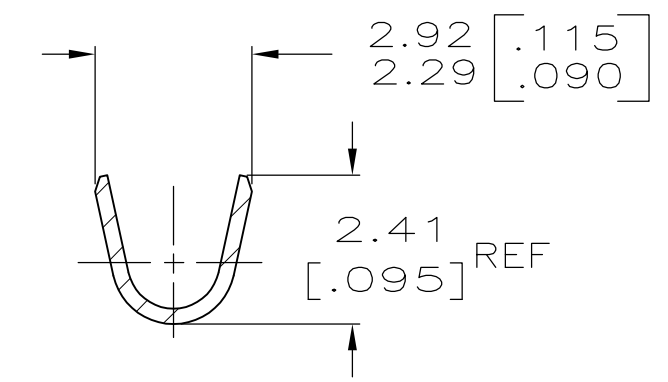


VIEW A-A  
SCALE 8:1

- 1 CONTINUOUS STRIP ON REELS.
- 2 MATING TAB THK TO BE  $0.81 \pm 0.025$  [.032 ± .001].
- 3 WIRE SIZE IS [#24-#20] AWG.
- 4 INSULATION RANGE IS 1.27-2.03 [.050-.080] DIA.



SECTION B-B  
SCALE 8:1



SECTION C-C  
SCALE 8:1

OBSOLETE

-	1217281-3
PRE-TIN	1217281-2
0.002032 [.000080] MIN TIN	1217281-1
FINISH	PART NO.

F	2.29 [.090]	3.96 [.156]	F	1.40 [.055]	1.02 [.040] [#20]	0.91 [.036] [#22]	0.84 [.033] [#24]
TYPE	WIDTH	STRIP LENGTH ±0.38 ±[.015]	TYPE	WIDTH	±.051 [±.002] HEIGHT	WIRE	
INSUL BARREL CRIMP			WIRE BARREL CRIMP				

THIS DRAWING IS A CONTROLLED DOCUMENT.

DIMENSIONS: mm[INCHES]	TOLERANCES UNLESS OTHERWISE SPECIFIED:	DWN JR RUTH 29NOV99	TE Connectivity RECEPTACLE, FASTIN-FASTON, 2.79 [.110] SERIES
	0 PLC ± -	CHK MS FEHER 29NOV99	
	1 PLC ± -	APVD D BRATINA 29NOV99	
	2 PLC ± 0.38 [.015]	PRODUCT SPEC	
	3 PLC ± -	APPLICATION SPEC	NAME
	4 PLC ± -	114-2065	SIZE
	ANGLES ± -	WEIGHT -	CAGE CODE
MATERIAL	FINISH	CUSTOMER DRAWING	DRAWING NO
H04 BRASS	SEE TABLE	SCALE 5:1	A3 00779 C-1217281
		SHEET 1 OF 1	RESTRICTED TO
		REV J3	