



Chipsmall Limited consists of a professional team with an average of over 10 year of expertise in the distribution of electronic components. Based in Hongkong, we have already established firm and mutual-benefit business relationships with customers from,Europe,America and south Asia,supplying obsolete and hard-to-find components to meet their specific needs.

With the principle of “Quality Parts,Customers Priority,Honest Operation,and Considerate Service”,our business mainly focus on the distribution of electronic components. Line cards we deal with include Microchip,ALPS,ROHM,Xilinx,Pulse,ON,Everlight and Freescale. Main products comprise IC,Modules,Potentiometer,IC Socket,Relay,Connector.Our parts cover such applications as commercial,industrial, and automotives areas.

We are looking forward to setting up business relationship with you and hope to provide you with the best service and solution. Let us make a better world for our industry!



Contact us

Tel: +86-755-8981 8866 Fax: +86-755-8427 6832

Email & Skype: info@chipsmall.com Web: www.chipsmall.com

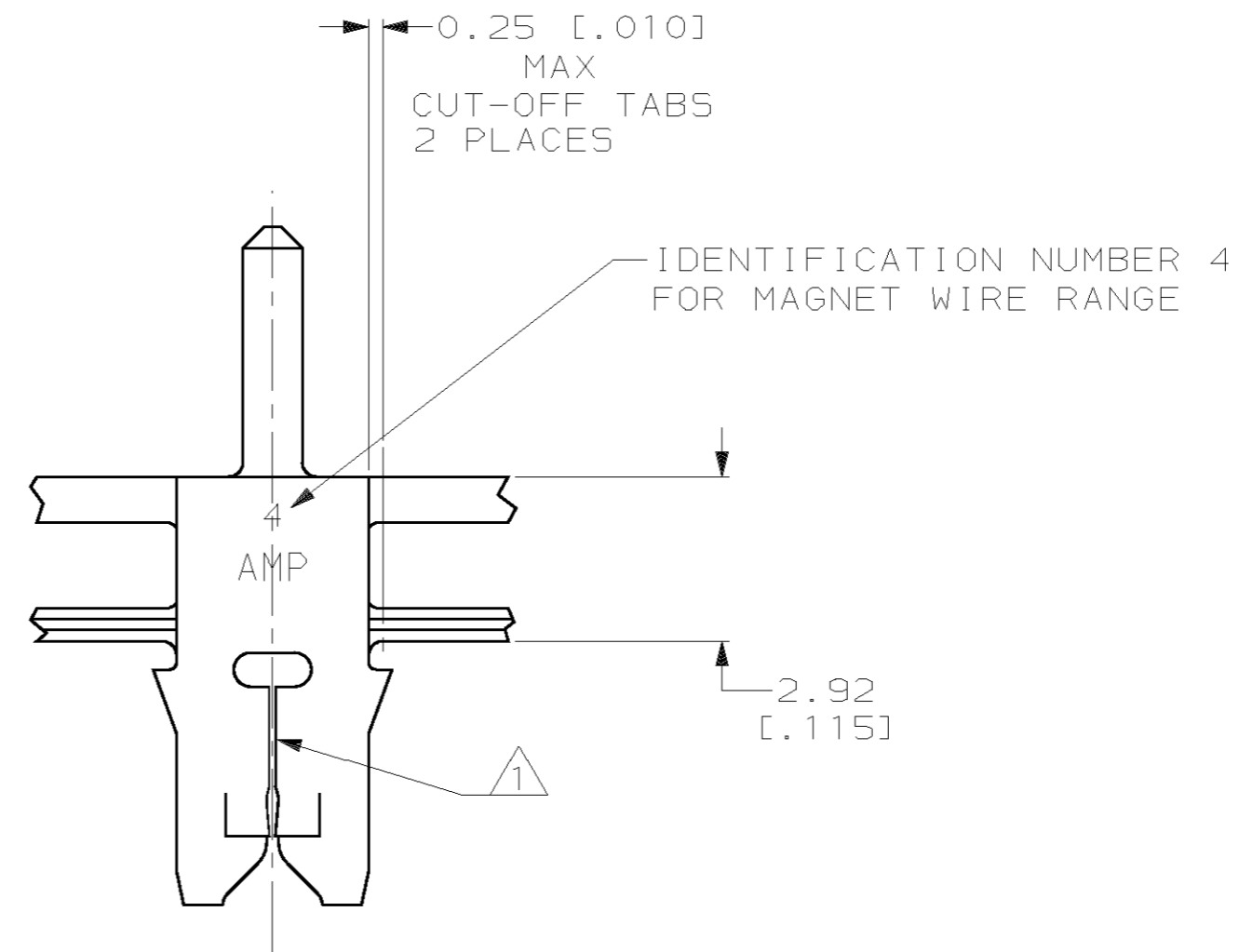
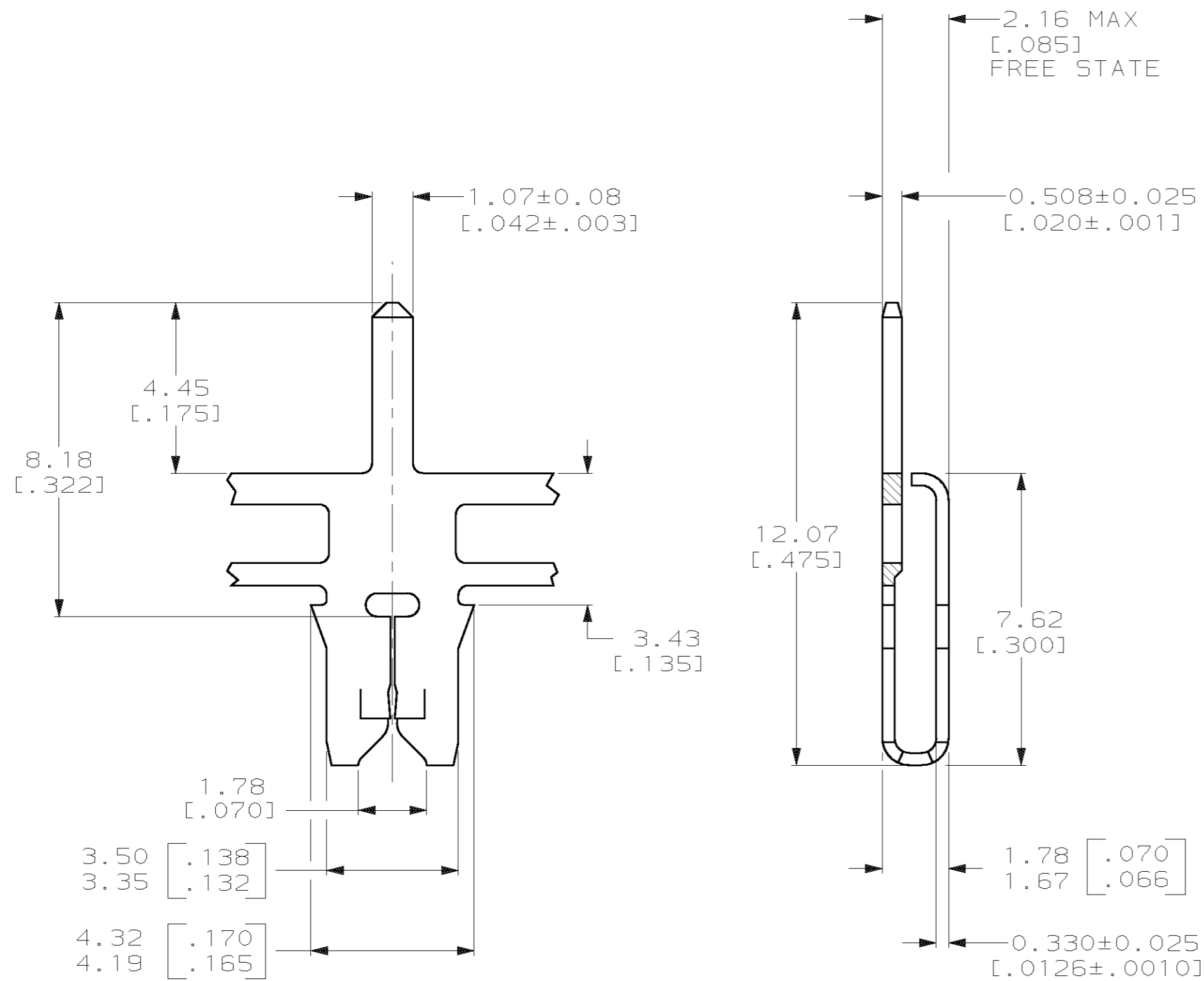
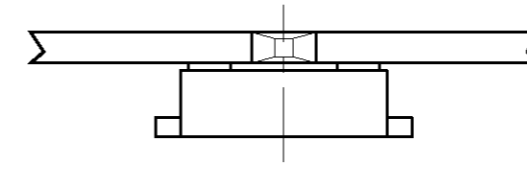
Address: A1208, Overseas Decoration Building, #122 Zhenhua RD., Futian, Shenzhen, China



THIS DRAWING IS UNPUBLISHED. RELEASED FOR PUBLICATION .19
 (C) COPYRIGHT 19 BY AMP INCORPORATED. ALL RIGHTS RESERVED.

LOC	DIST	REVISIONS			
P	LTR	DESCRIPTION	DATE	DWN	APVD
AF	50	A	REVISED PER 0G3A-0225-00	30MAR00	MF KR

- ① SLOT TERMINATES 0.18-0.23mm [#33-#31] AWG COPPER MAGNET WIRE EITHER SINGLE OR DOUBLE OF THE SAME SIZE.
- 2 CONTINUOUS STRIP ON REELS WITH TERMINALS LOCATED ON 8.38±0.08 [.330±.003] CENTERS.
- ③ 0.002032 [.000080] MIN TIN OVER 0.00127 [.000050] MIN NICKEL.



1217302-1
PART NUMBER

THIS DRAWING IS A CONTROLLED DOCUMENT.		DWN 12JAN2000 MICHAEL S. FEHER	AMP Incorporated Harrisburg, PA 17105-3608	
DIMENSIONS: mm (INCHES)		CHK 12JAN2000 KURT A. RANDOLPH	AMP	
TOLERANCES UNLESS OTHERWISE SPECIFIED:		APVD 12JAN2000 KURT A. RANDOLPH	SOLDER TAB, 1.07 [.042], 300 SERIES MAG-MATE™	
0 PLC ±- 1 PLC ±- 2 PLC ±0.25 (.010) 3 PLC ±- 4 PLC ±- ANGLES ±-		PRODUCT SPEC 108-2012	SIZE A2	CAGE CODE 00779
MATERIAL 4M PRE-MILLED BRASS		APPLICATION SPEC 114-2046	DRAWING NO 1217302	RESTRICTED TO -
FINISH ③		WEIGHT -	SCALE 8:1	SHEET 1 OF 1
		CUSTOMER DRAWING	REV A	