



Chipsmall Limited consists of a professional team with an average of over 10 year of expertise in the distribution of electronic components. Based in Hongkong, we have already established firm and mutual-benefit business relationships with customers from,Europe,America and south Asia,supplying obsolete and hard-to-find components to meet their specific needs.

With the principle of “Quality Parts,Customers Priority,Honest Operation,and Considerate Service”,our business mainly focus on the distribution of electronic components. Line cards we deal with include Microchip,ALPS,ROHM,Xilinx,Pulse,ON,Everlight and Freescale. Main products comprise IC,Modules,Potentiometer,IC Socket,Relay,Connector.Our parts cover such applications as commercial,industrial, and automotives areas.

We are looking forward to setting up business relationship with you and hope to provide you with the best service and solution. Let us make a better world for our industry!



## Contact us

Tel: +86-755-8981 8866 Fax: +86-755-8427 6832

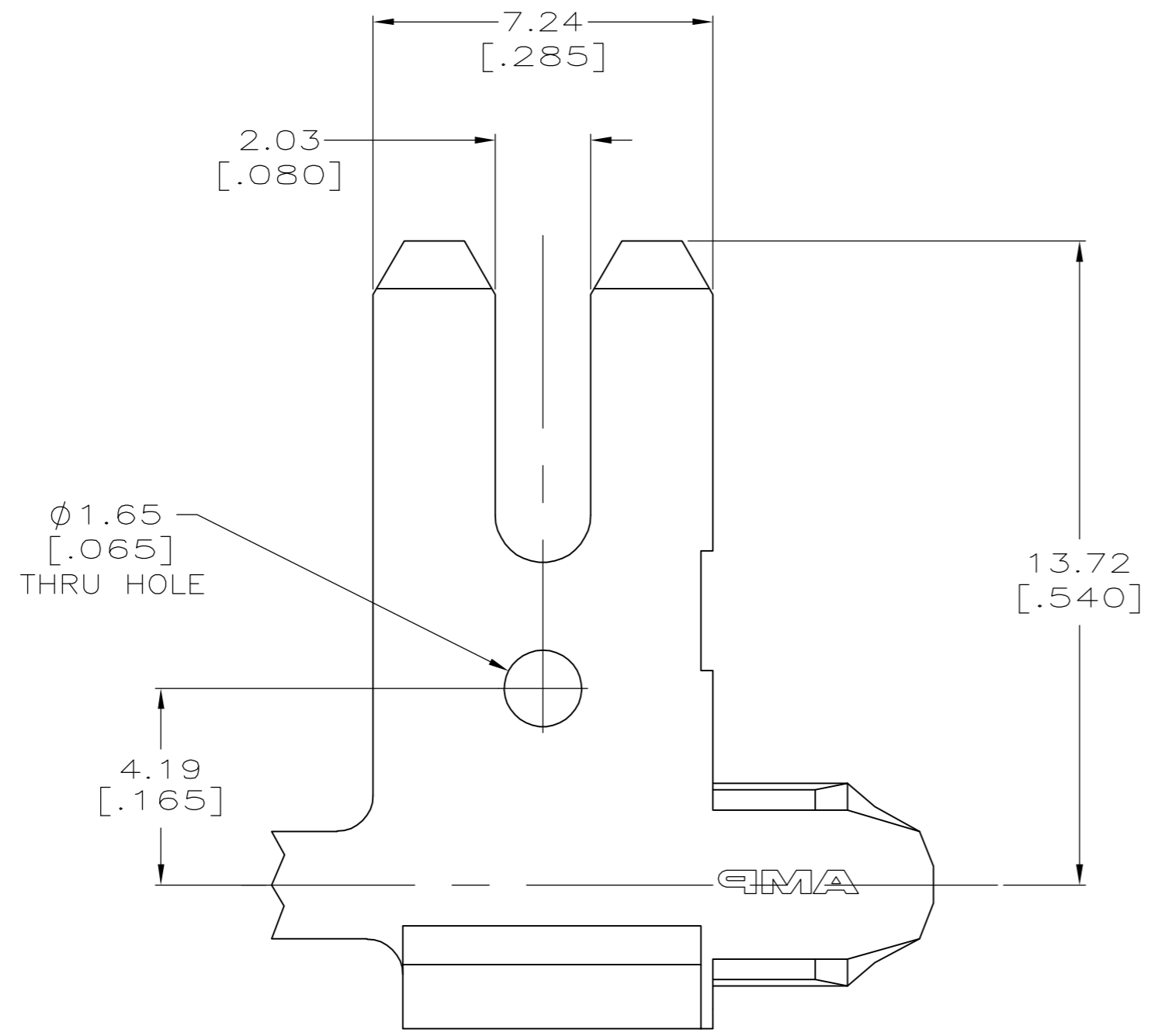
Email & Skype: info@chipsmall.com Web: www.chipsmall.com

Address: A1208, Overseas Decoration Building, #122 Zhenhua RD., Futian, Shenzhen, China

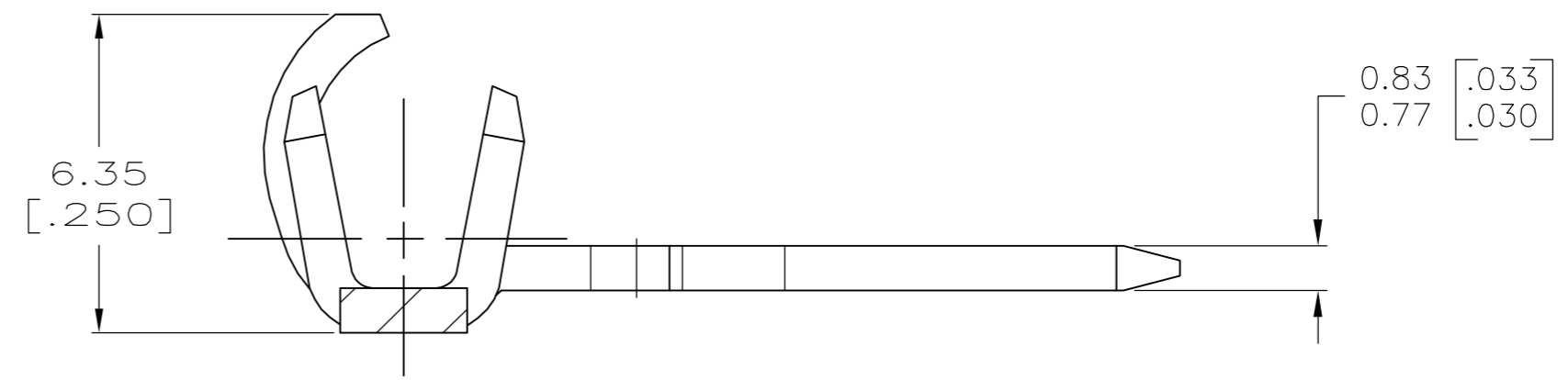
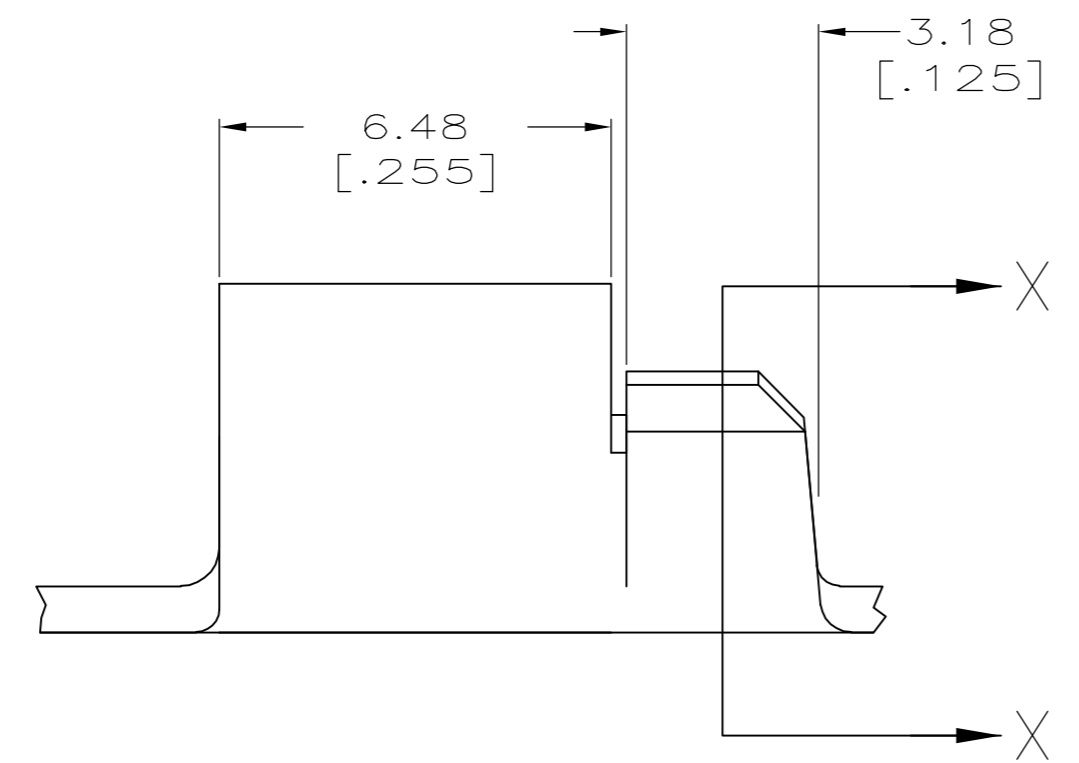
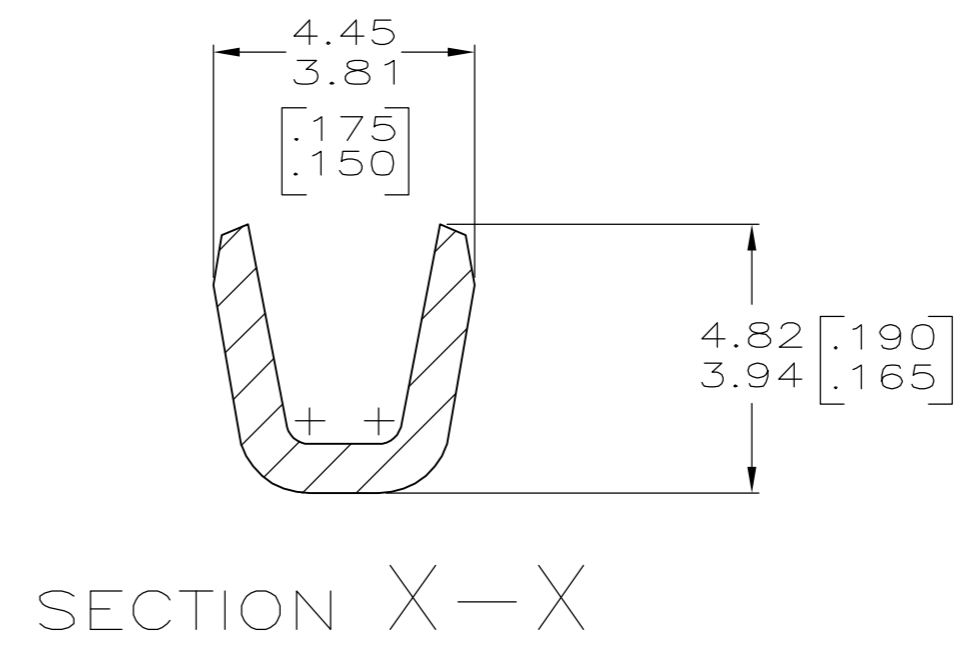


THIS DRAWING IS UNPUBLISHED. RELEASED FOR PUBLICATION  
 © COPYRIGHT BY TYCO ELECTRONICS CORPORATION. ALL RIGHTS RESERVED.

LOC	DIST	REVISIONS			
P	LTR	DESCRIPTION	DATE	DWN	APVD
AF	50	B	REVISED MATERIAL PER ECR-06-010520	19JAN07	MF KR



1 CONTINUOUS STRIP ON REELS.  
 2 0.002032[.000080] MIN TIN OVER NICKEL UNDERPLATE.



2.03-3.05 [.080-.120] DIA		0.8-2.0mm <sup>2</sup> [#18-#14] AWG		1217324-1	
INSULATION RANGE		WIRE SIZE		PART NUMBER	
THIS DRAWING IS A CONTROLLED DOCUMENT.		DWN MICHAEL S. FEHER 07FEB2000 CHK KURT A. RANDOLPH 07FEB2000 APVD KURT A. RANDOLPH 07FEB2000		Tyco Electronics Corporation Harrisburg, PA 17105-3608	
DIMENSIONS: mm 		TOLERANCES UNLESS OTHERWISE SPECIFIED: 0 PLC ± - 1 PLC ± - 2 PLC ± 0.25 [.010] 3 PLC ± - 4 PLC ± - ANGLES ± - FINISH - 2		NAME KURT A. RANDOLPH PRODUCT SPEC 108-22045 APPLICATION SPEC 114-2050 WEIGHT - CUSTOMER DRAWING	
MATERIAL 082 BRASS		SIZE A2 CAGE CODE 00779 DRAWING NO C=1217324		RESTRICTED TO -	
		SCALE 8:1		SHEET 1 of 1 REV B	

1217324