



Chipsmall Limited consists of a professional team with an average of over 10 year of expertise in the distribution of electronic components. Based in Hongkong, we have already established firm and mutual-benefit business relationships with customers from,Europe,America and south Asia,supplying obsolete and hard-to-find components to meet their specific needs.

With the principle of "Quality Parts,Customers Priority,Honest Operation,and Considerate Service",our business mainly focus on the distribution of electronic components. Line cards we deal with include Microchip,ALPS,ROHM,Xilinx,Pulse,ON,Everlight and Freescale. Main products comprise IC,Modules,Potentiometer,IC Socket,Relay,Connector.Our parts cover such applications as commercial,industrial, and automotives areas.

We are looking forward to setting up business relationship with you and hope to provide you with the best service and solution. Let us make a better world for our industry!



## Contact us

Tel: +86-755-8981 8866 Fax: +86-755-8427 6832

Email & Skype: info@chipsmall.com Web: www.chipsmall.com

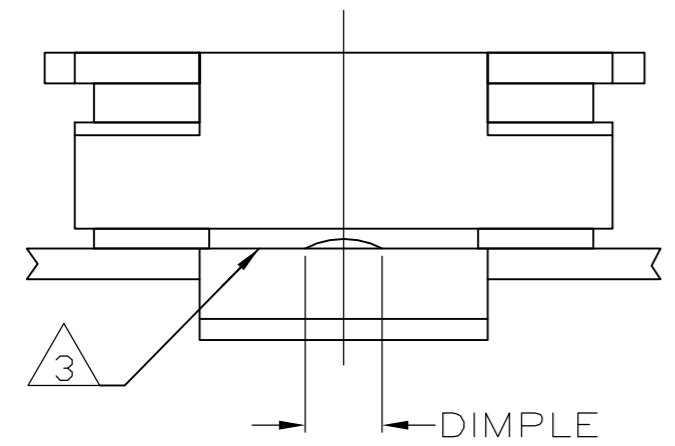
Address: A1208, Overseas Decoration Building, #122 Zhenhua RD., Futian, Shenzhen, China



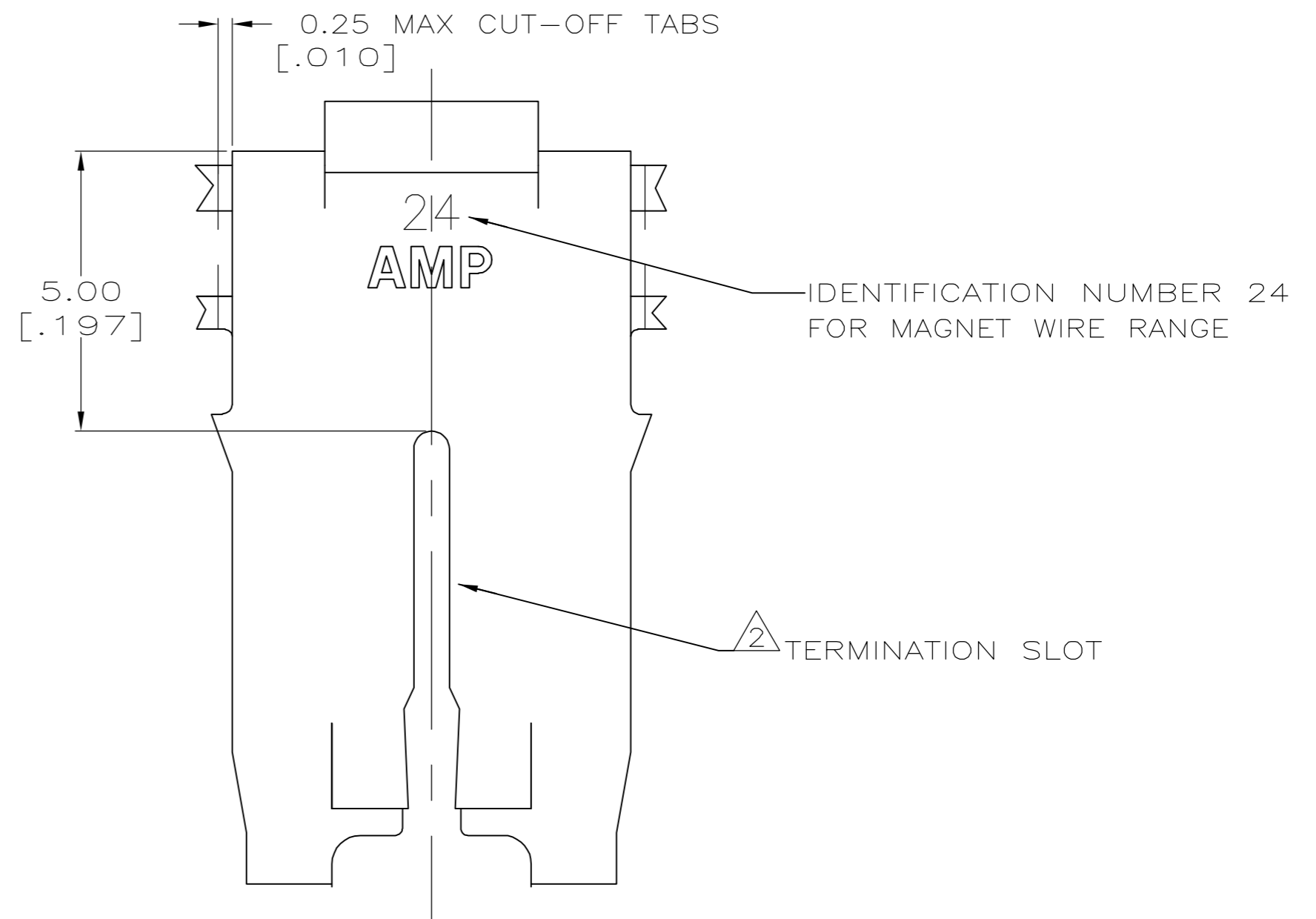
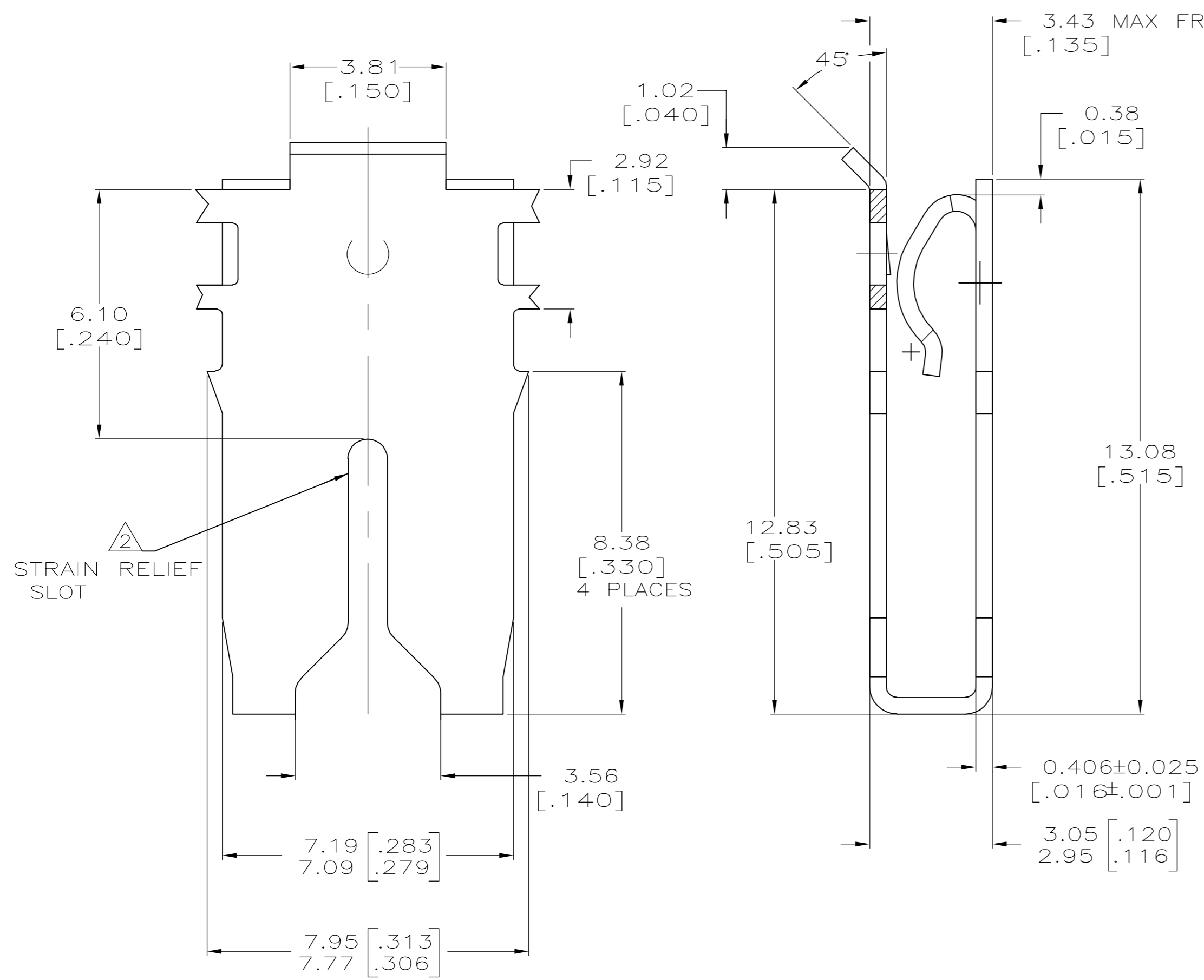
THIS DRAWING IS UNPUBLISHED. RELEASED FOR PUBLICATION  
 © COPYRIGHT BY TYCO ELECTRONICS CORPORATION. ALL RIGHTS RESERVED.

LOC		DIST		REVISIONS					
AF		50		P	LTR	DESCRIPTION	DATE	DWN	APVD
				B1		CREATED PER ECR-07-002951	12FEB07	MF	KR

- 1 CONTINUOUS STRIP ON REELS WITH TERMINALS LOCATED ON 10.4±0.08[.410±.003] CENTERS.
- 2 SLOT ACCEPTS 0.91-1.15mm [#19-#17] AWG COPPER MAGNET WIRE. 2 WIRES OF THE SAME SIZE MAX PER SLOT.
- 3 CONTACT LEAF ACCEPTS 0.81[.032] THICK POKE-IN TAB, (REFERENCE TAB DRAWING 1217324-1).
- 4 0.002032 [.000080] MIN TIN PLATE OVER 0.00127 [.000050] MIN NICKEL UNDERPLATE.



DIMPLE



1217356-1  
PART NUMBER

THIS DRAWING IS A CONTROLLED DOCUMENT.		DWN	12FEB2007	MICHAEL S. FEHER		Tyco Electronics Corporation	
DIMENSIONS: mm[INCHES]		CHK	12FEB2007	KURT A. RANDOLPH		Harrisburg, PA 17105-3608	
TOLERANCES UNLESS OTHERWISE SPECIFIED:		APVD	12FEB2007	KURT A. RANDOLPH		NAME	
0 PLC	± -	PRODUCT SPEC		108-2053		SPECIAL LEAF CONTACT, 500 SERIES MAG-MATE	
1 PLC	± -	APPLICATION SPEC		114-2066		SIZE	
2 PLC	± 0.25[.010]	MATERIAL		4M BRASS		CAGE CODE	
3 PLC	± -	FINISH		4		DRAWING NO	
4 PLC	± -	MATERIAL		4M BRASS		RESTRICTED TO	
ANGLES	± -	MATERIAL		4M BRASS		SCALE	
FINISH	4	MATERIAL		4M BRASS		SHEET	
		MATERIAL		4M BRASS		REV	
		MATERIAL		4M BRASS		B1	