



Chipsmall Limited consists of a professional team with an average of over 10 year of expertise in the distribution of electronic components. Based in Hongkong, we have already established firm and mutual-benefit business relationships with customers from,Europe,America and south Asia,supplying obsolete and hard-to-find components to meet their specific needs.

With the principle of "Quality Parts,Customers Priority,Honest Operation,and Considerate Service",our business mainly focus on the distribution of electronic components. Line cards we deal with include Microchip,ALPS,ROHM,Xilinx,Pulse,ON,Everlight and Freescale. Main products comprise IC,Modules,Potentiometer,IC Socket,Relay,Connector.Our parts cover such applications as commercial,industrial, and automotives areas.

We are looking forward to setting up business relationship with you and hope to provide you with the best service and solution. Let us make a better world for our industry!



Contact us

Tel: +86-755-8981 8866 Fax: +86-755-8427 6832

Email & Skype: info@chipsmall.com Web: www.chipsmall.com

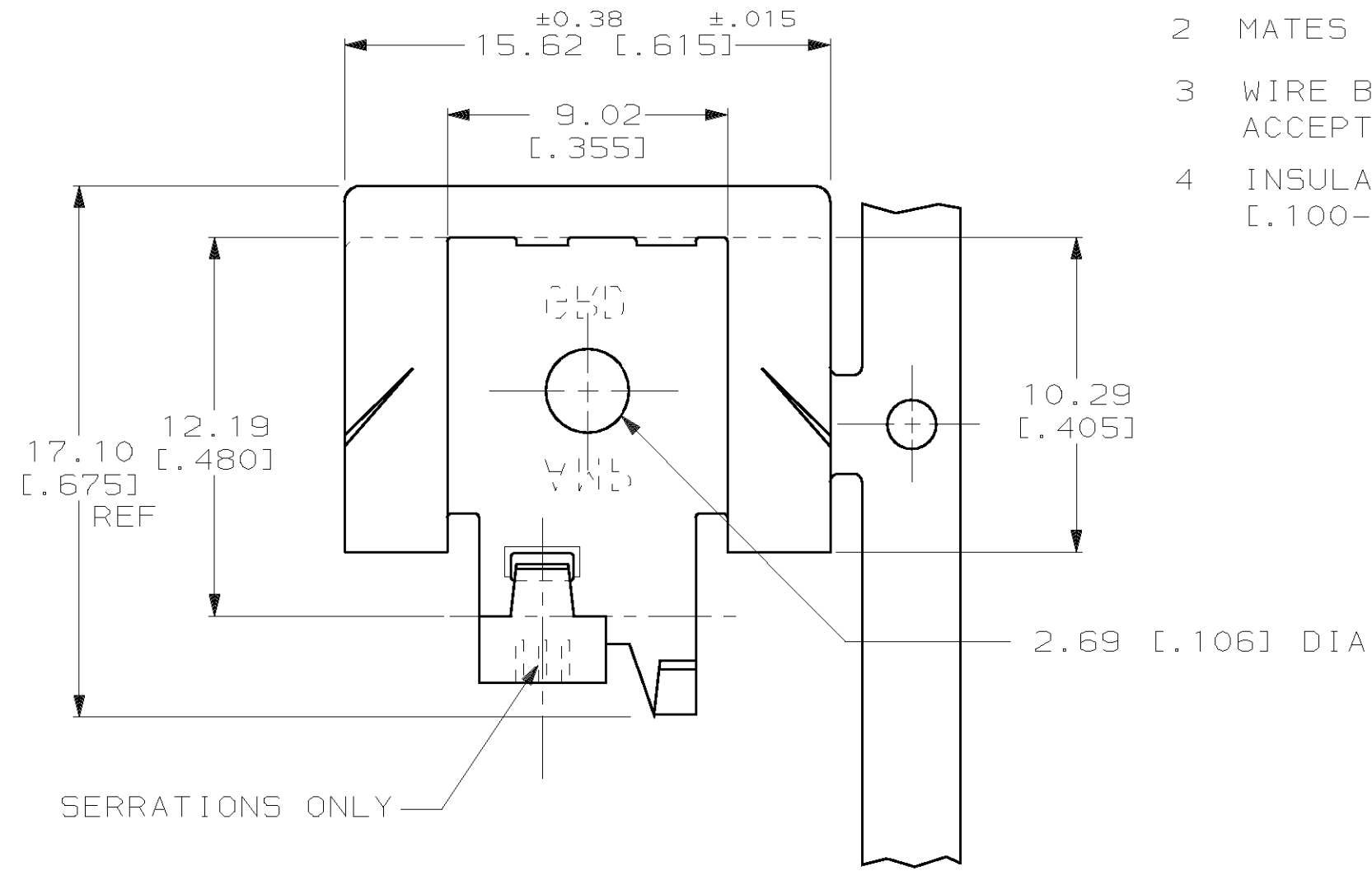
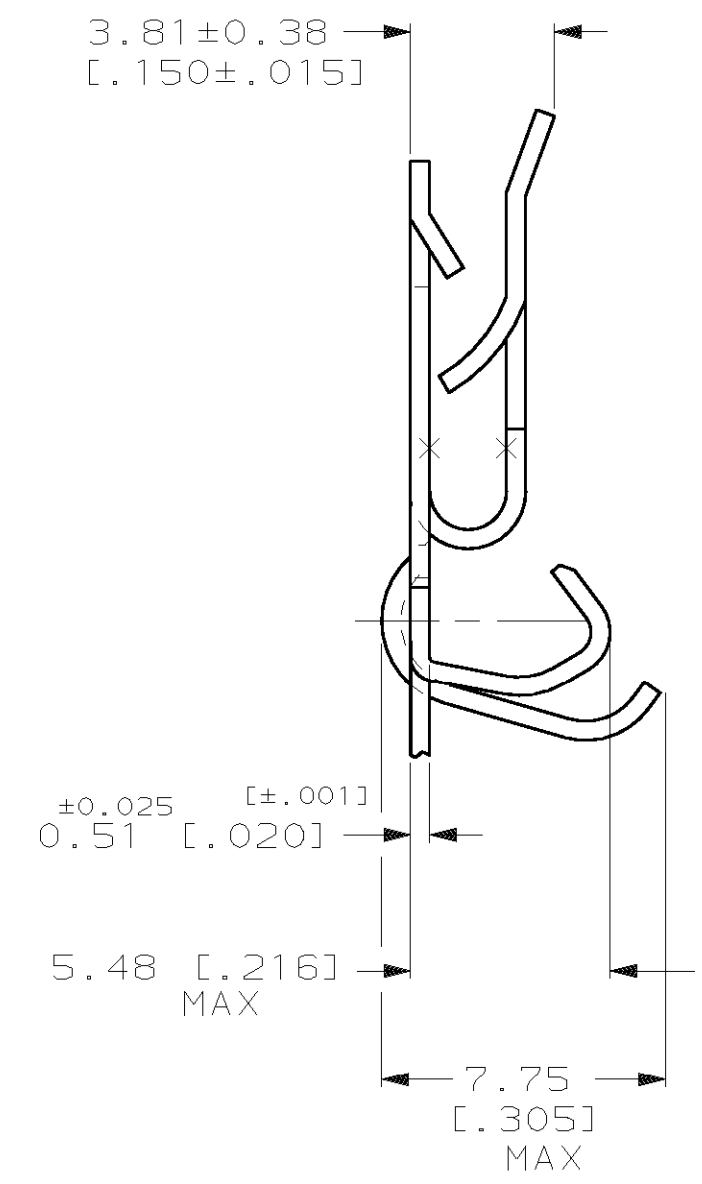
Address: A1208, Overseas Decoration Building, #122 Zhenhua RD., Futian, Shenzhen, China



THIS DRAWING IS UNPUBLISHED. RELEASED FOR PUBLICATION, 19 .
 © COPYRIGHT 19 BY AMP INCORPORATED. ALL INTERNATIONAL RIGHTS RESERVED.

LOC	DIST	P	F	REVISIONS			DATE	APPD
AF	50			ZONE	LTR	DESCRIPTION		
					A	REL PER 0G3A-0324-00	17MAY00	JR/EH

- 1 CONTINUOUS STRIP ON REELS.
- 2 MATES WITH .019-.071 THK PANEL.
- 3 WIRE BBL IS PRE-CRIMPED AND ACCEPTS A [#18-#14] AWG.
- 4 INSULATION RANGE IS 2.54-3.56 [.100-.140] DIA.



1217372-1
 PART NO

DO NOT SCALE PRINT. UNLESS SPECIFIED DIMENSIONS IN mm [INCHES] TOLERANCES ON: 2 PLC DEC ± 0.25 [.010] 3 PLC DEC ± - ANGLES ± -	DR 23MAR00 JR RUTH	AMP AMP INCORPORATED Harrisburg, Pa. 17105		
	CHK 23MAR00 MS FEHER			
	APPD 23MAR00 E HOWARD	NAME		
	APPD 23MAR00 D ROTELL	CLIP, GROUNDING, PREFORM		
MATERIAL 1/2 HARD STAINLESS STEEL	PRODUCT SPEC -	SIZE B	CAGE CODE 00779	DRAWING NO 1217372
FINISH -	APPLICATION SPEC -	SCALE 5:1	SHEET 1 OF 1	
	WEIGHT -			