



Chipsmall Limited consists of a professional team with an average of over 10 year of expertise in the distribution of electronic components. Based in Hongkong, we have already established firm and mutual-benefit business relationships with customers from,Europe,America and south Asia,supplying obsolete and hard-to-find components to meet their specific needs.

With the principle of “Quality Parts,Customers Priority,Honest Operation,and Considerate Service”,our business mainly focus on the distribution of electronic components. Line cards we deal with include Microchip,ALPS,ROHM,Xilinx,Pulse,ON,Everlight and Freescale. Main products comprise IC,Modules,Potentiometer,IC Socket,Relay,Connector.Our parts cover such applications as commercial,industrial, and automotives areas.

We are looking forward to setting up business relationship with you and hope to provide you with the best service and solution. Let us make a better world for our industry!



Contact us

Tel: +86-755-8981 8866 Fax: +86-755-8427 6832

Email & Skype: info@chipsmall.com Web: www.chipsmall.com

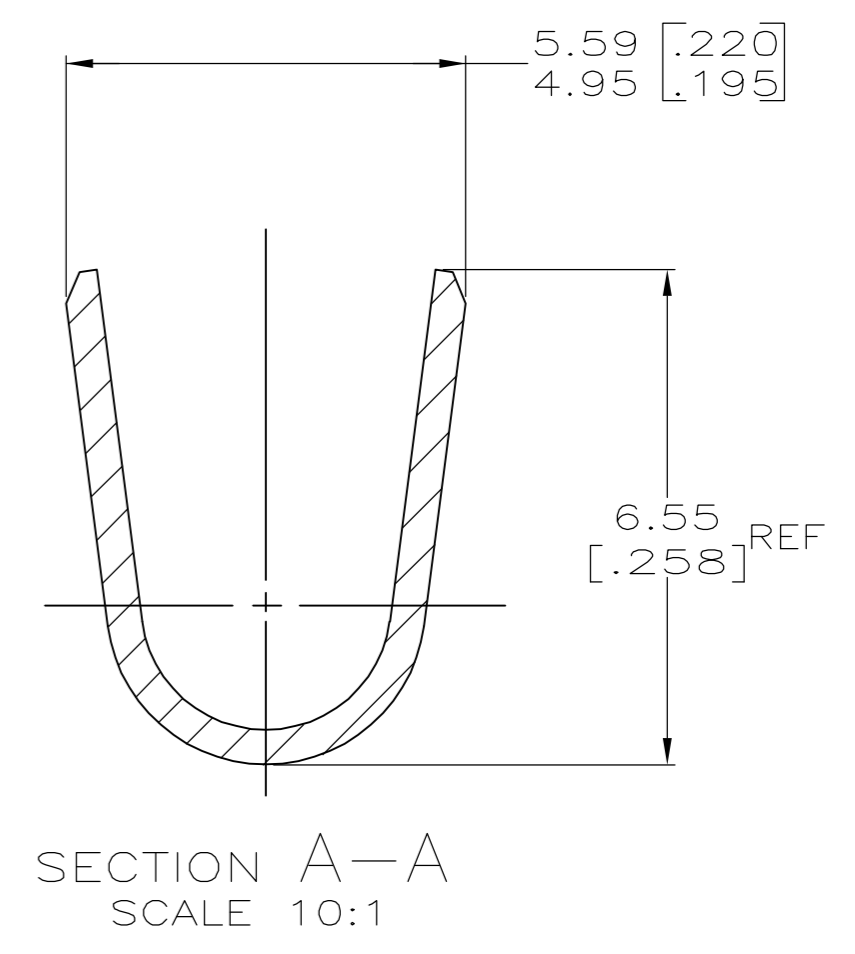
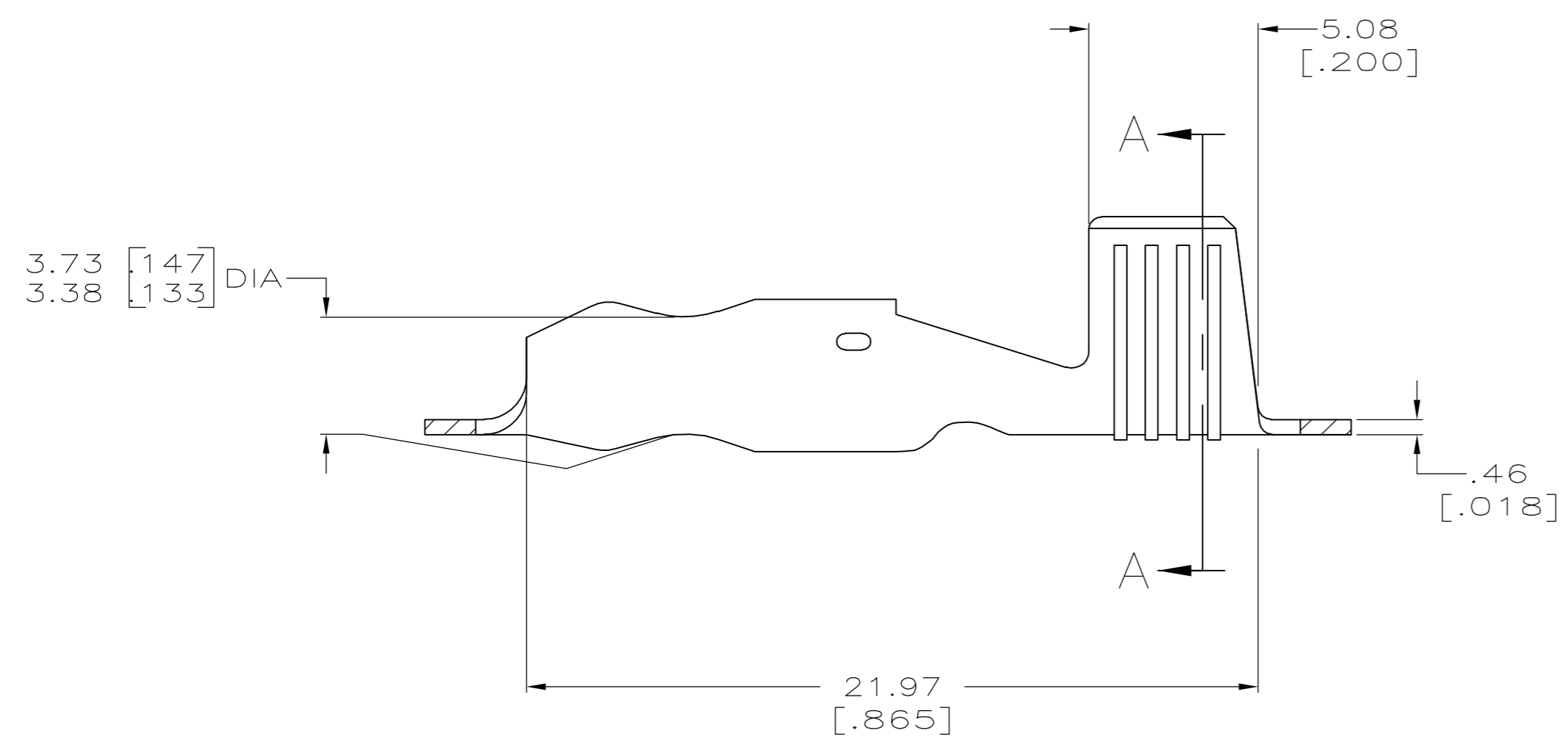
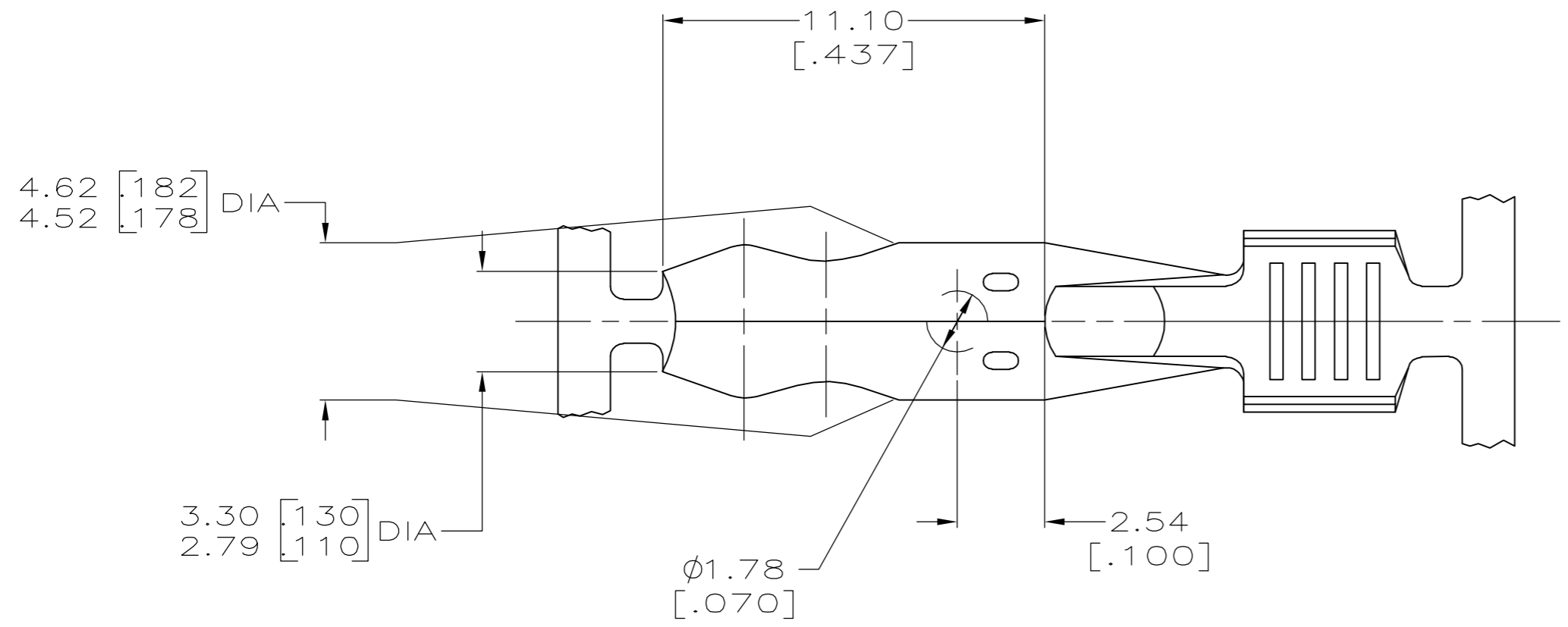
Address: A1208, Overseas Decoration Building, #122 Zhenhua RD., Futian, Shenzhen, China



THIS DRAWING IS UNPUBLISHED. RELEASED FOR PUBLICATION
 © COPYRIGHT BY TYCO ELECTRONICS CORPORATION. ALL RIGHTS RESERVED.

| LOC | | DIST | | REVISIONS | | | |
|-----|-----|-------------|--|----------------------|-----------|------|----|
| P | LTR | DESCRIPTION | | DATE | DWN | APVD | |
| AF | 50 | E | | REL PER 0G3A-0074-04 | 06FEB2004 | RF | DD |

- 1 CONTINUOUS STRIP ON REELS.
- 2 WIRE SIZE IS #12-#10 OR FOUR #14'S AWG
- 3 PRELIMINARY - NOT FOR PRODUCTION.



| | |
|------------------------------|-------------|
| 0.00381 [.000150] MIN NICKEL | 3 1217400-2 |
| 0.002032 [.000080] MIN TIN | 1217400-1 |
| FINISH | PART NUMBER |

| | | | | |
|--|--|-----------------------------------|--|--|
| THIS DRAWING IS A CONTROLLED DOCUMENT. | | DWN 19MAY2000 MICHAEL S. FEHER | Tyco Electronics Corporation Harrisburg, PA 17105 | |
| DIMENSIONS: MM | | CHK 22MAY2000 DONALD DECKER | NAME SHUR-PLUG, 4.57[.180] DIA. | |
| TOLERANCES UNLESS OTHERWISE SPECIFIED: | | APVD 22MAY2000 DONALD DECKER | PRODUCT SPEC | |
| 0 PLC ± - | | APPLICATION SPEC | | |
| 1 PLC ± - | | 114-2017 | | |
| 2 PLC ± 0.25[.010] | | WEIGHT - | | |
| 3 PLC ± - | | SIZE A2 CAGE CODE 00779 C=1217400 | | |
| 4 PLC ± - | | DRAWING NO | | |
| ANGLES ± - | | RESTRICTED TO | | |
| FINISH SEE TABLE | | SCALE 6:1 SHEET 1 OF 1 REV E | | |
| MATERIAL 081 BRASS | | CUSTOMER DRAWING | | |