



Chipsmall Limited consists of a professional team with an average of over 10 year of expertise in the distribution of electronic components. Based in Hongkong, we have already established firm and mutual-benefit business relationships with customers from,Europe,America and south Asia,supplying obsolete and hard-to-find components to meet their specific needs.

With the principle of "Quality Parts,Customers Priority,Honest Operation,and Considerate Service",our business mainly focus on the distribution of electronic components. Line cards we deal with include Microchip,ALPS,ROHM,Xilinx,Pulse,ON,Everlight and Freescale. Main products comprise IC,Modules,Potentiometer,IC Socket,Relay,Connector.Our parts cover such applications as commercial,industrial, and automotives areas.

We are looking forward to setting up business relationship with you and hope to provide you with the best service and solution. Let us make a better world for our industry!



## Contact us

Tel: +86-755-8981 8866 Fax: +86-755-8427 6832

Email & Skype: info@chipsmall.com Web: www.chipsmall.com

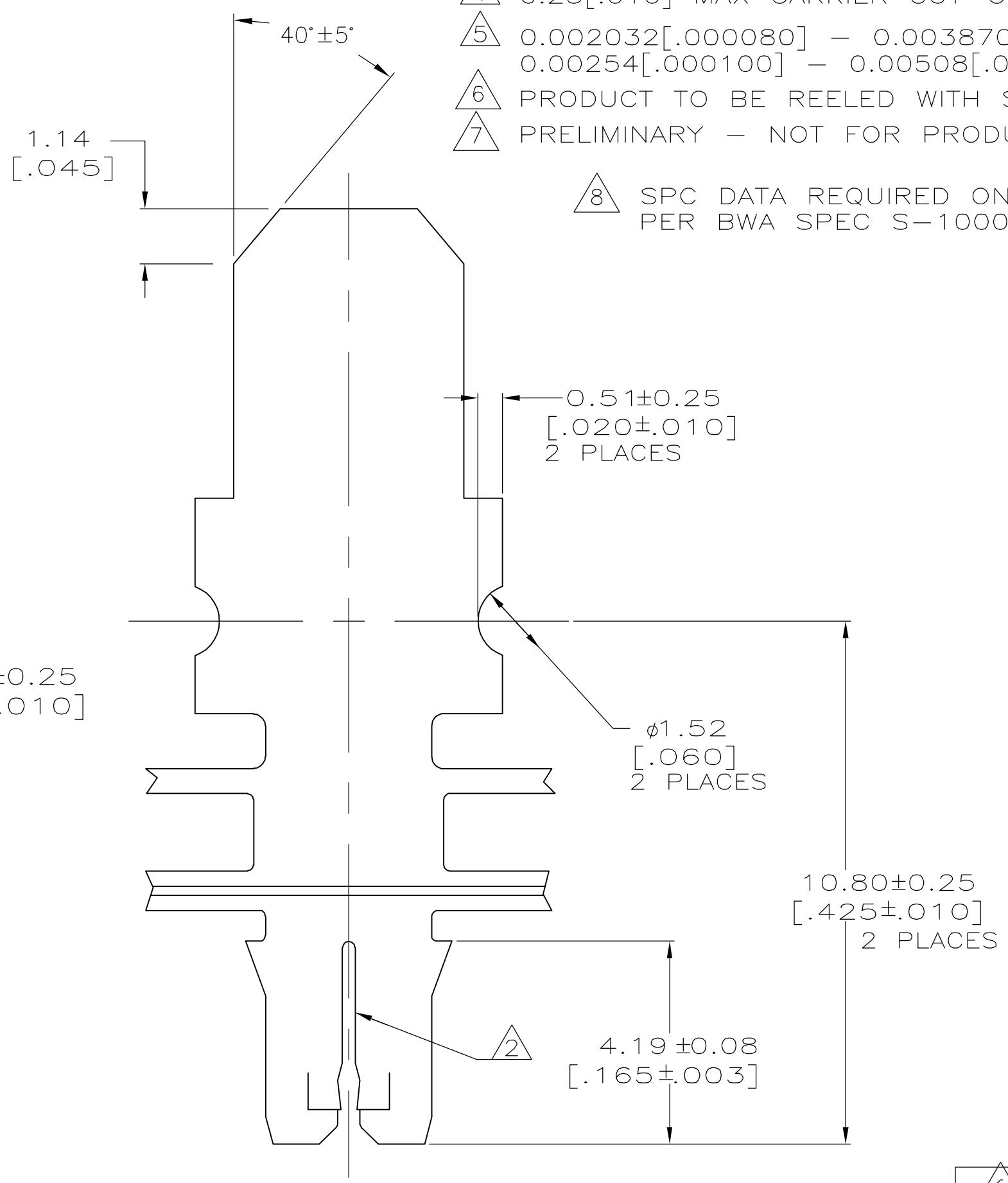
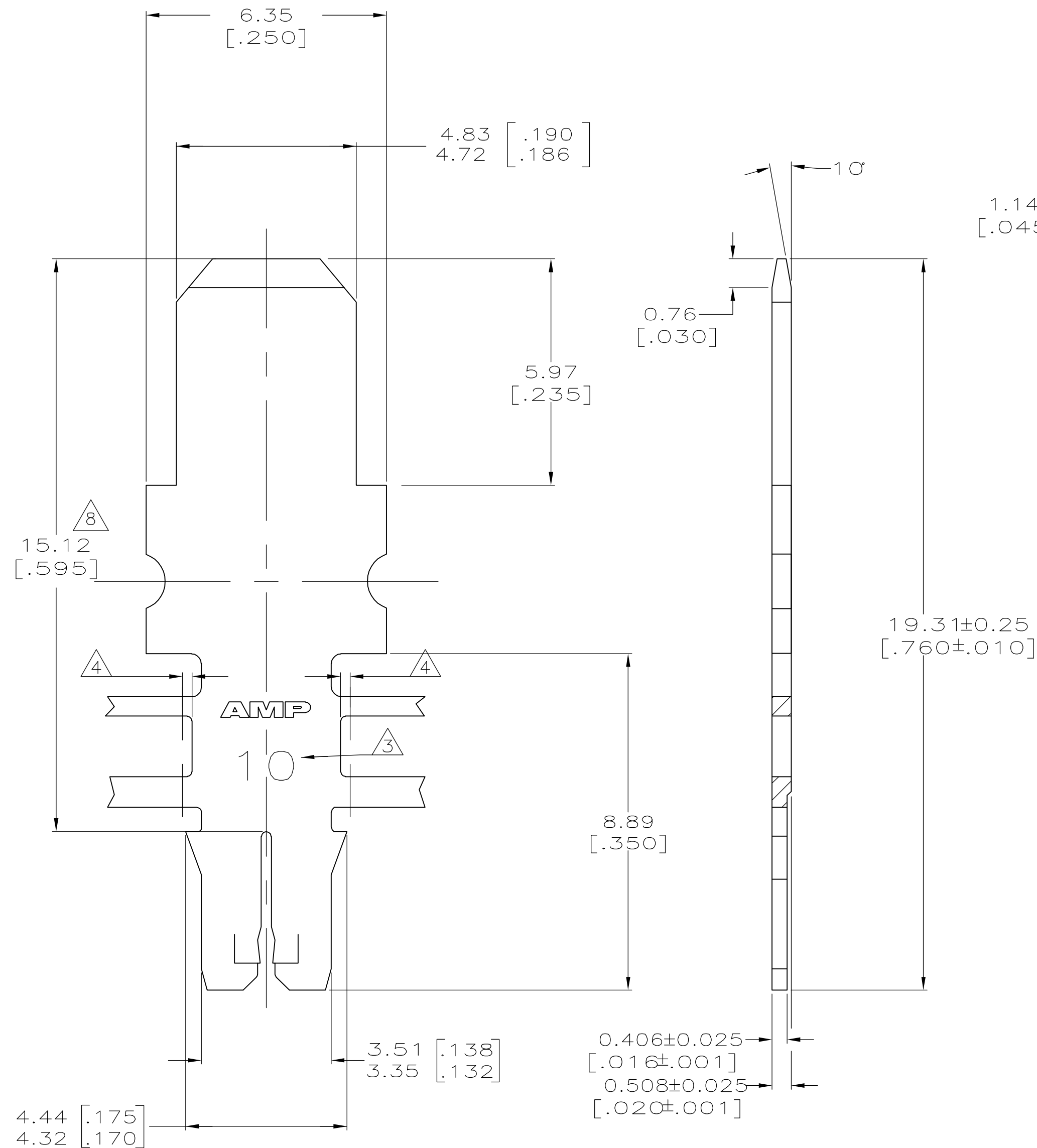
Address: A1208, Overseas Decoration Building, #122 Zhenhua RD., Futian, Shenzhen, China



THIS DRAWING IS UNPUBLISHED. RELEASED FOR PUBLICATION  
 © COPYRIGHT BY TYCO ELECTRONICS CORPORATION. ALL RIGHTS RESERVED.

LOC		DIST		REVISIONS			
P	LTR	DESCRIPTION		DATE	DWN	APVD	
	H2	REVISED PER ECR-05-011734		03NOV05	JR	KR	

- 1 CONTINUOUS STRIP ON REELS WITH TERMINALS LOCATED ON 6.86±0.08 [.270±.003] CENTERS
- ② SLOT ACCEPTS 0.36-0.51mm [#27-#24] AWG COPPER MAGNET WIRE. TWO WIRES OF THE SAME SIZE MAX PER SLOT
- ③ IDENTIFICATION NUMBER 10 FOR THE MAGNET WIRE SLOT SIZE
- ④ 0.25[.010] MAX CARRIER CUT-OFF TABS
- ⑤ 0.002032[.000080] - 0.003870[.000150] TIN PLATE OVER 0.00254[.000100] - 0.00508[.000200] COPPER UNDERPLATE.
- ⑥ PRODUCT TO BE REELED WITH SPECIAL PAPER TRAILER
- ⑦ PRELIMINARY - NOT FOR PRODUCTION
- ⑧ SPC DATA REQUIRED ON THIS DIMENSION PER BWA SPEC S-1000.



⑥ REVERSE	⑦ 1217497-4
⑥ STANDARD	⑦ 1217497-3
REVERSE	1217497-2
STANDARD	1217497-1
REELING	PART NUMBER

THIS DRAWING IS A CONTROLLED DOCUMENT.		DWN	27SEP2000	Tyco Electronics Corporation Harrisburg, Pa 17105-3608
DIMENSIONS: mm		CHK	27SEP2000	
TOLERANCES UNLESS OTHERWISE SPECIFIED:		APVD	27SEP2000	
0 PLC ± - 1 PLC ± - 2 PLC ± 0.13[.005] 3 PLC ± - 4 PLC ± - ANGLES ± - FINISH ⑤		KURT A. RANDOLPH KURT A. RANDOLPH KURT A. RANDOLPH	PRODUCT SPEC 108-1484 APPLICATION SPEC 114-2140	
MATERIAL	T2 PRE-MILLED	WEIGHT	-	NAME TAB, 4.75[.187] SERIES, MAG-MATE Slim Line
CUSTOMER DRAWING		SCALE	10:1	SIZE CAGE CODE DRAWING NO RESTRICTED TO A2 00779 C=1217497 -
		SHEET	1 OF 1	REV H2