



Chipsmall Limited consists of a professional team with an average of over 10 year of expertise in the distribution of electronic components. Based in Hongkong, we have already established firm and mutual-benefit business relationships with customers from,Europe,America and south Asia,supplying obsolete and hard-to-find components to meet their specific needs.

With the principle of “Quality Parts,Customers Priority,Honest Operation,and Considerate Service”,our business mainly focus on the distribution of electronic components. Line cards we deal with include Microchip,ALPS,ROHM,Xilinx,Pulse,ON,Everlight and Freescale. Main products comprise IC,Modules,Potentiometer,IC Socket,Relay,Connector.Our parts cover such applications as commercial,industrial, and automotives areas.

We are looking forward to setting up business relationship with you and hope to provide you with the best service and solution. Let us make a better world for our industry!



Contact us

Tel: +86-755-8981 8866 Fax: +86-755-8427 6832

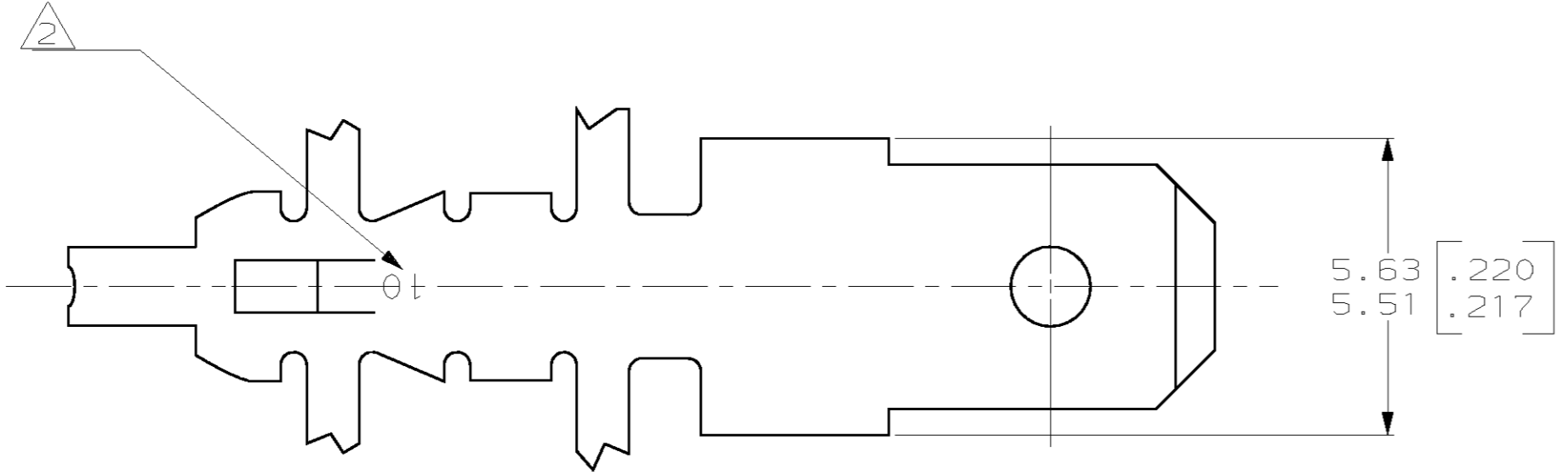
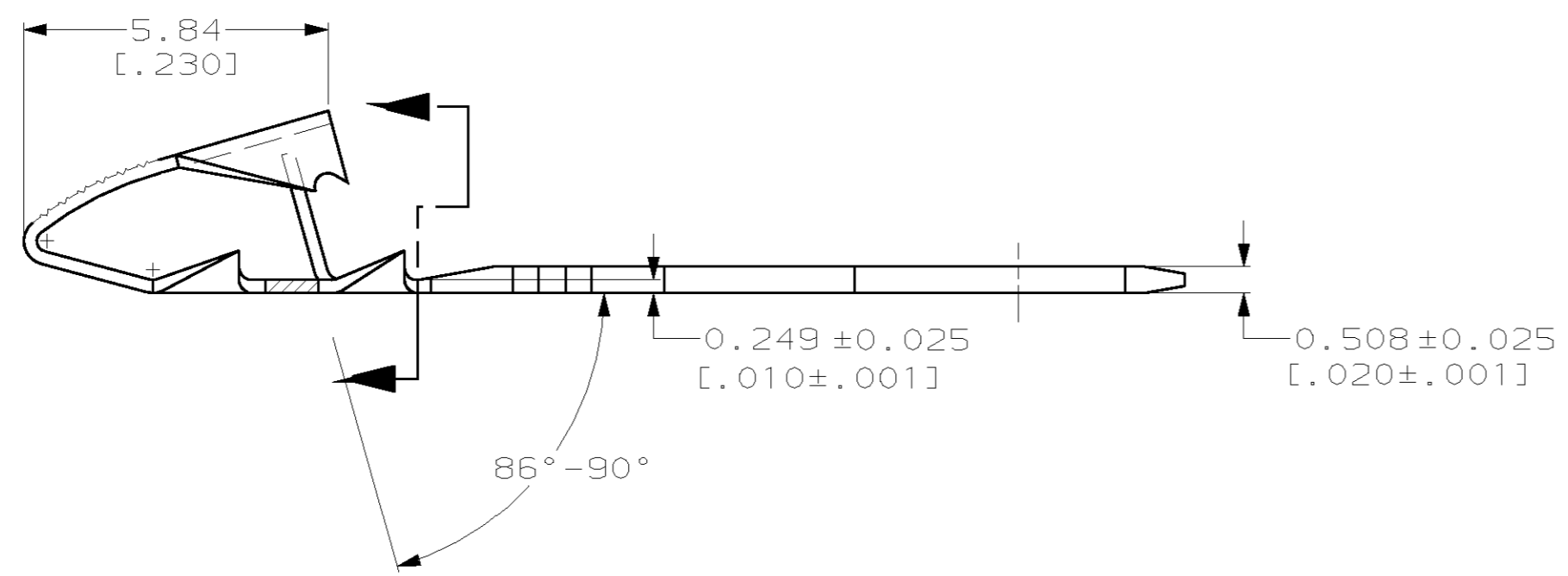
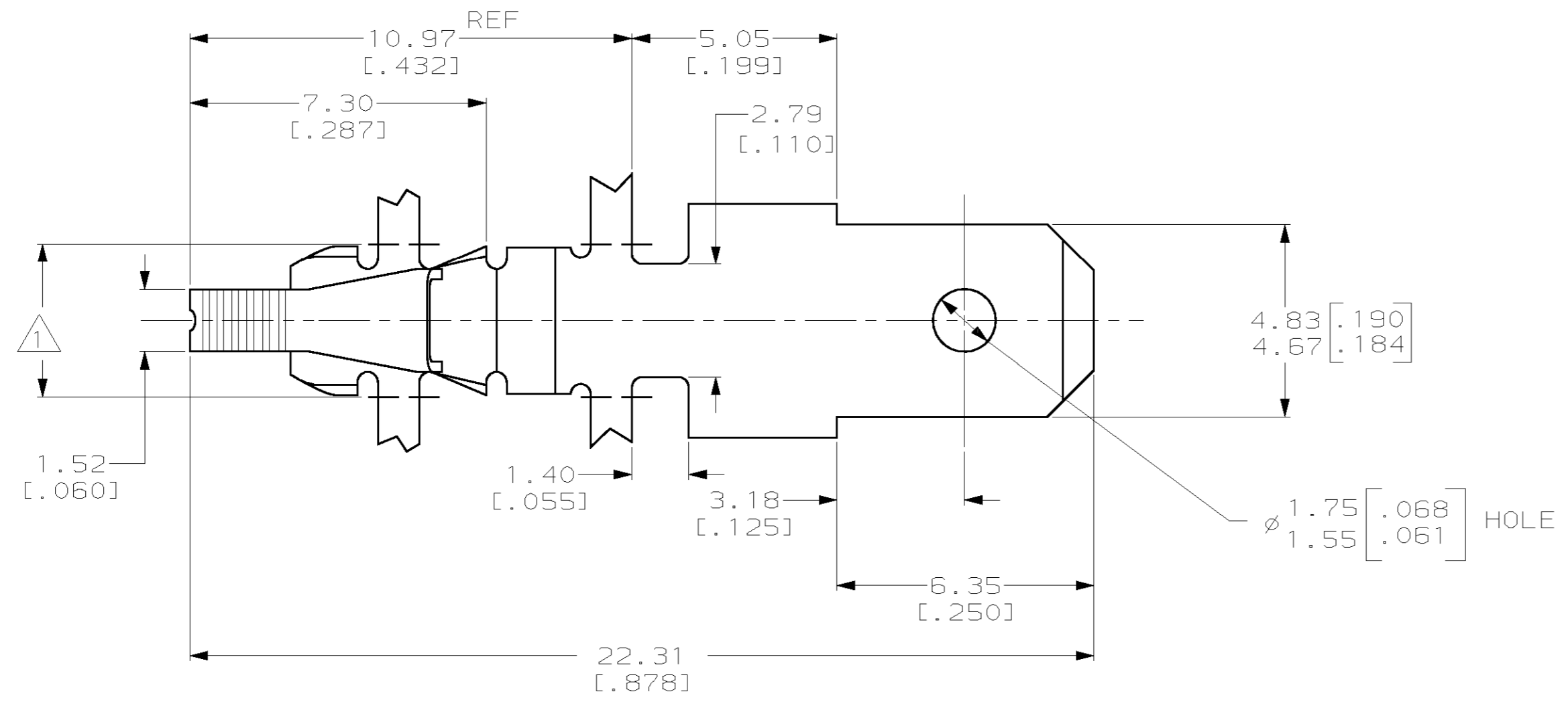
Email & Skype: info@chipsmall.com Web: www.chipsmall.com

Address: A1208, Overseas Decoration Building, #122 Zhenhua RD., Futian, Shenzhen, China

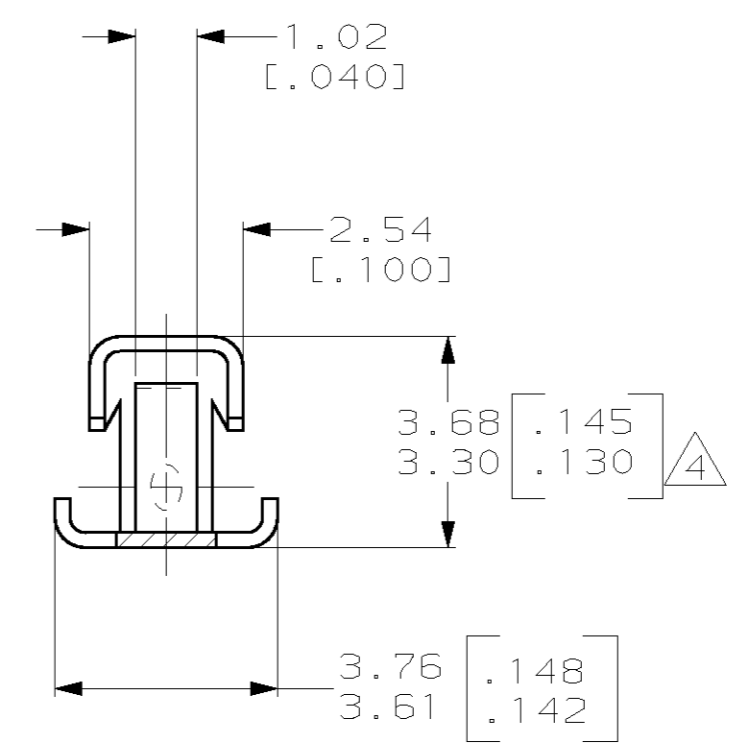


THIS DRAWING IS UNPUBLISHED. RELEASED FOR PUBLICATION .19
 © COPYRIGHT 19 BY AMP INCORPORATED. ALL RIGHTS RESERVED.

LOC		DIST		REVISIONS			
P	LTR	DESCRIPTION		DATE	DWN	APVD	
AF	50	C		REVISED PER 0G3A-0355-01	30JUL01	MF	KR



- 1 3.78±0.13 [.149±.005] APPLICATOR CUT-OFF, 2 PLACES.
- 2 IDENTIFICATION NUMBER 10 FOR MAGNET WIRE RANGE.
- 3 CONTINUOUS STRIP ON REELS WITH TERMINALS LOCATED ON 8.38±0.08 [.330±.003] CENTERS
- 4 2.72-2.97 [.107-.117] CONTACT HEIGHT WHEN COMPRESSED AGAINST ANTI-OVERSTRESS.



THIS DRAWING IS A CONTROLLED DOCUMENT.		DWN MICHAEL S. FEHER 10NOV2000	0.05-0.13mm [#44-#36] AWG		1217529-1	
DIMENSIONS: mm [INCHES]		CHK KURT A. RANDOLPH 10NOV2000	MAGNET WIRE RANGE		PART NUMBER	
TOLERANCES UNLESS OTHERWISE SPECIFIED:		APVD KURT A. RANDOLPH 10NOV2000	AMP Incorporated Harrisburg, PA 17105-3608		AMP	
0 PLC ±- 1 PLC ±- 2 PLC ±0.25 [.010] 3 PLC ±- 4 PLC ±- ANGLES ±-		NAME KURT A. RANDOLPH	PRODUCT SPEC 108-2016		TAB, 4.75 [.187] FASTON™ MINI MAG-MATE™	
MATERIAL H04 PRE-MILLED PHOSPHOR BRONZE		FINISH 0.002032 [.000080] MIN TIN PLATE	APPLICATION SPEC 114-2047	SIZE A2	CAGE CODE 00779	DRAWING NO 1217529
		WEIGHT -	CUSTOMER DRAWING	SCALE 8:1	SHEET 1 OF 1	REV C

1217529