



Chipsmall Limited consists of a professional team with an average of over 10 year of expertise in the distribution of electronic components. Based in Hongkong, we have already established firm and mutual-benefit business relationships with customers from,Europe,America and south Asia,supplying obsolete and hard-to-find components to meet their specific needs.

With the principle of “Quality Parts,Customers Priority,Honest Operation,and Considerate Service”,our business mainly focus on the distribution of electronic components. Line cards we deal with include Microchip,ALPS,ROHM,Xilinx,Pulse,ON,Everlight and Freescale. Main products comprise IC,Modules,Potentiometer,IC Socket,Relay,Connector.Our parts cover such applications as commercial,industrial, and automotives areas.

We are looking forward to setting up business relationship with you and hope to provide you with the best service and solution. Let us make a better world for our industry!



Contact us

Tel: +86-755-8981 8866 Fax: +86-755-8427 6832

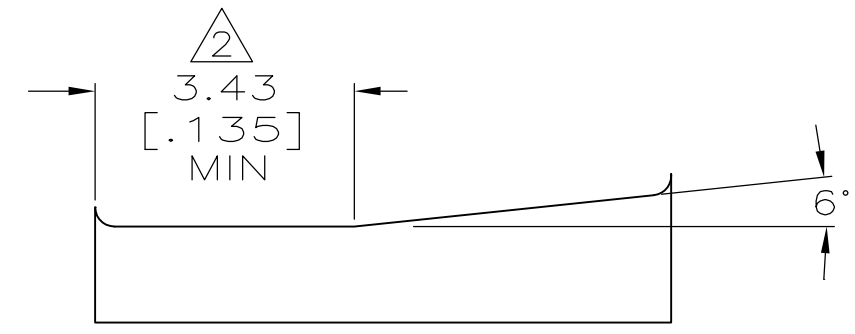
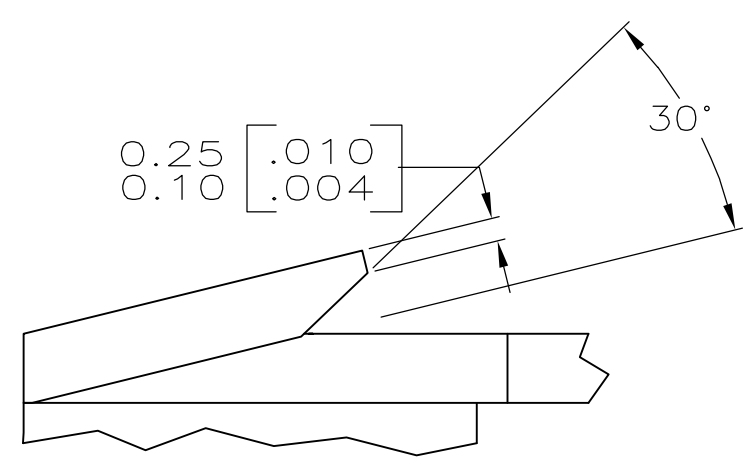
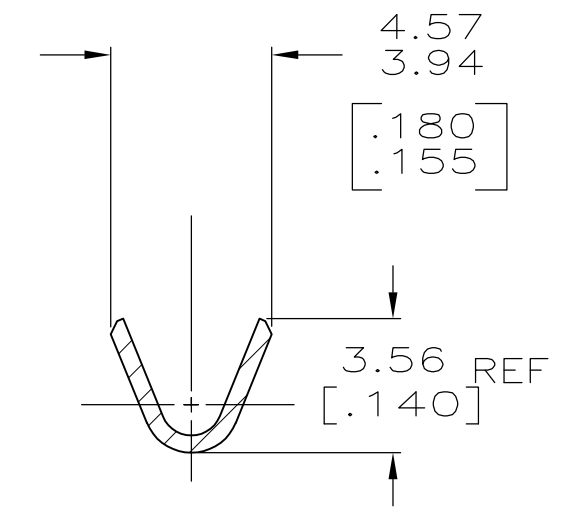
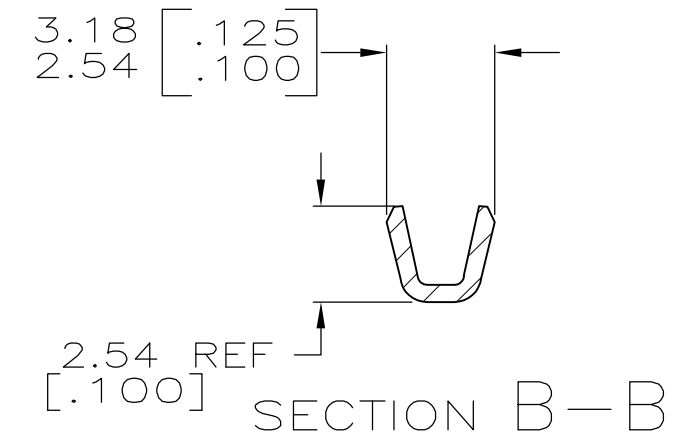
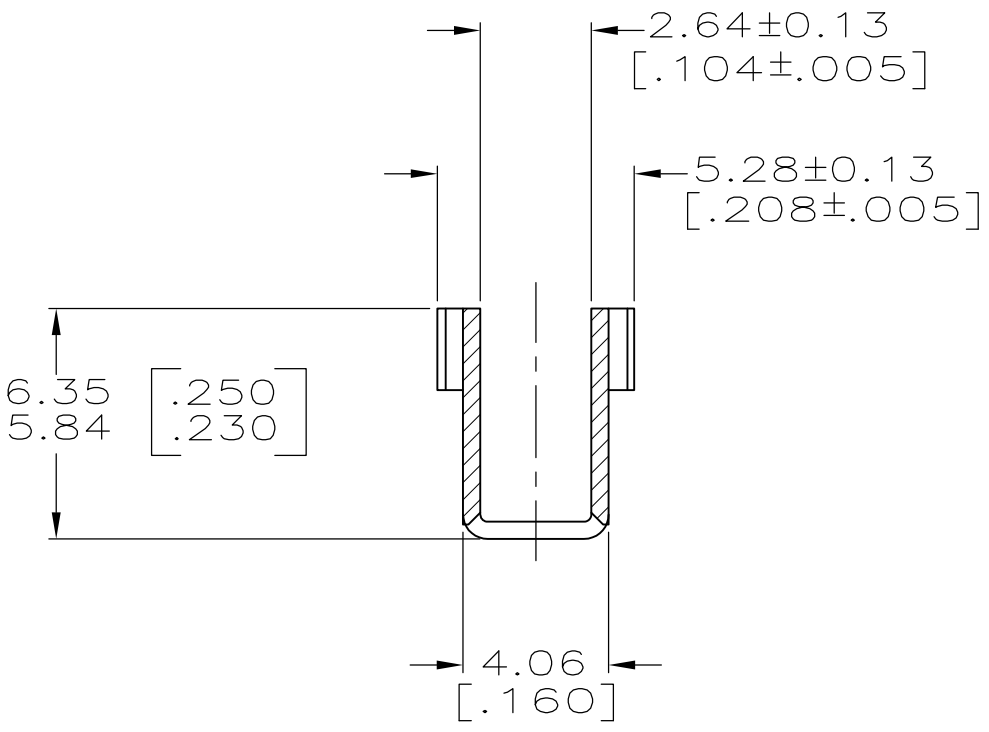
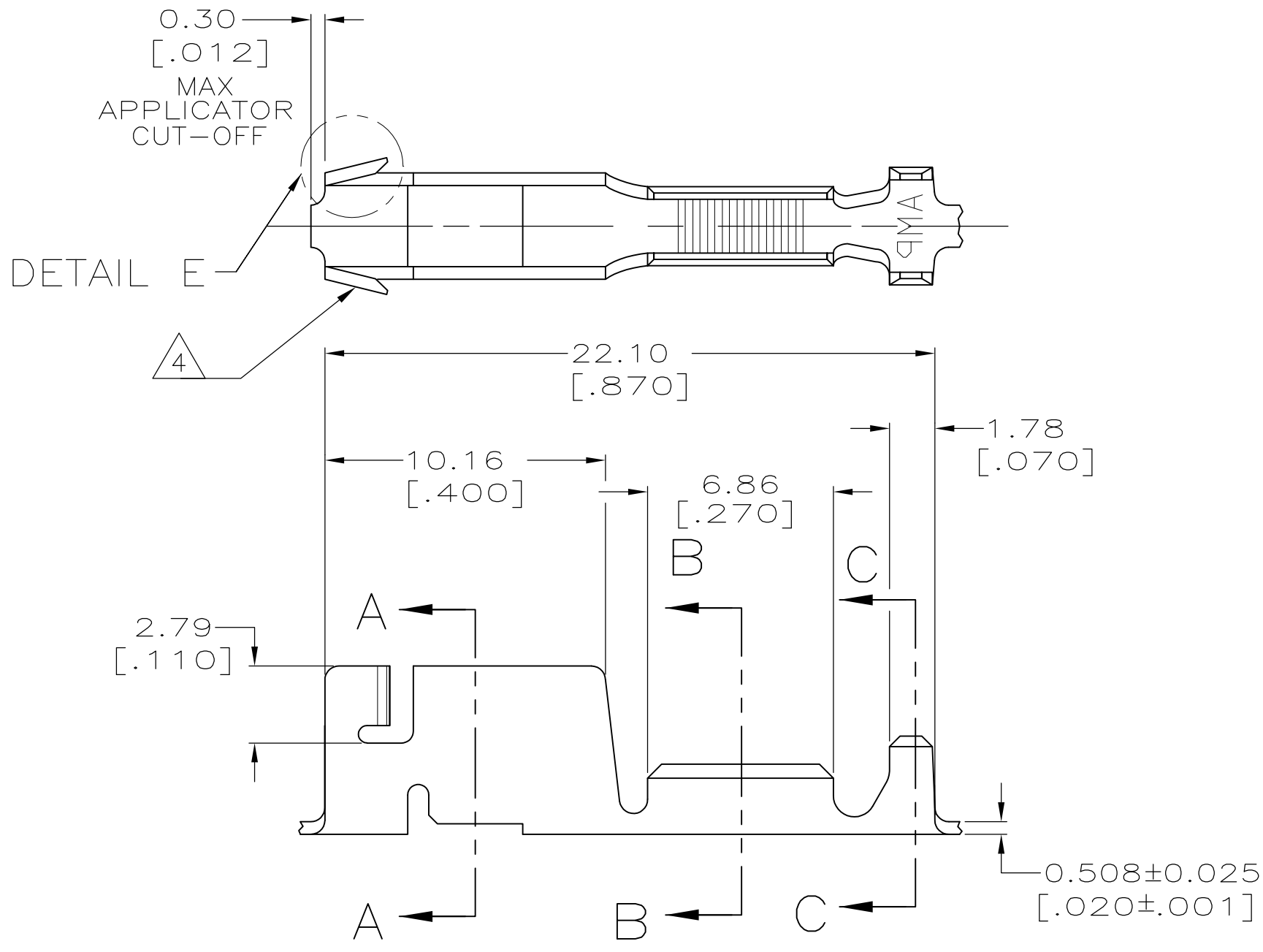
Email & Skype: info@chipsmall.com Web: www.chipsmall.com

Address: A1208, Overseas Decoration Building, #122 Zhenhua RD., Futian, Shenzhen, China



THIS DRAWING IS UNPUBLISHED. RELEASED FOR PUBLICATION
 © COPYRIGHT - By - ALL RIGHTS RESERVED.

LOC	DIST	REVISIONS			
P	LTR	DESCRIPTION	DATE	DWN	APVD
AF	50	C1	REVISED PER ECR-13-005529	05APR13	KH GJ



- 1 CONTINUOUS STRIP ON REELS WITH TERMINALS LOCATED ON 23.75 [.935] CENTERS.
- 2 MEASURE CRIMP HEIGHT IN THIS AREA.
- 3 FORMULA TO CALCULATE CRIMP HEIGHT:

$$X = \frac{Y + 6900}{151900}$$

$$Y = \text{CMA}$$

$$X = \text{CRIMP HEIGHT}$$
- 4 HIGH RETENTION FEATURE.

DETAIL E
SCALE 20:1

CRIMP CONFIGURATION

1.52-2.54 [.060-.100] DIA	400-1600 CMA	1217670-1
INSULATION RANGE	WIRE RANGE	PART NUMBER

THIS DRAWING IS A CONTROLLED DOCUMENT.		DWN JR RUTH 05JAN00	TE Connectivity	
DIMENSIONS: mm [INCHES]		CHK PETE DESANTIS 05JAN00	RECEPTACLE, CLUSTER PIN, AMPLIVAR™, 3.18[.125] DIA	
TOLERANCES UNLESS OTHERWISE SPECIFIED:		APVD PETE DESANTIS 05JAN00	NAME	
0 PLC ± -	1 PLC ± -	PRODUCT SPEC 108-2008	SIZE A2	
2 PLC ± 0.25 [.010]	3 PLC ± -	APPLICATION SPEC 114-2019	CAGE CODE 00779	DRAWING NO C=1217670
4 PLC ± -	ANGLES ± -	WEIGHT -	SCALE 5:1	SHEET 1 of 1
MATERIAL H03 PHOSPHOR BRONZE	FINISH POST TIN	CUSTOMER DRAWING	REV C1	RESTRICTED TO -