



Chipsmall Limited consists of a professional team with an average of over 10 year of expertise in the distribution of electronic components. Based in Hongkong, we have already established firm and mutual-benefit business relationships with customers from,Europe,America and south Asia,supplying obsolete and hard-to-find components to meet their specific needs.

With the principle of “Quality Parts,Customers Priority,Honest Operation,and Considerate Service”,our business mainly focus on the distribution of electronic components. Line cards we deal with include Microchip,ALPS,ROHM,Xilinx,Pulse,ON,Everlight and Freescale. Main products comprise IC,Modules,Potentiometer,IC Socket,Relay,Connector.Our parts cover such applications as commercial,industrial, and automotives areas.

We are looking forward to setting up business relationship with you and hope to provide you with the best service and solution. Let us make a better world for our industry!



Contact us

Tel: +86-755-8981 8866 Fax: +86-755-8427 6832

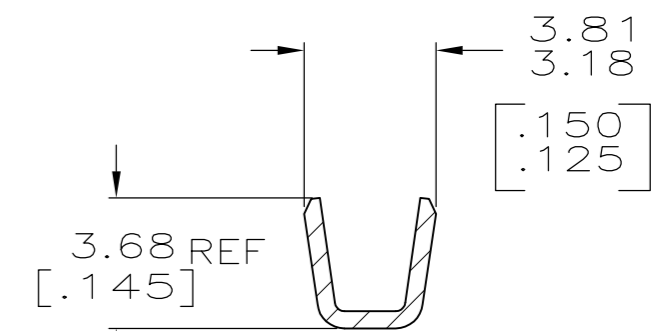
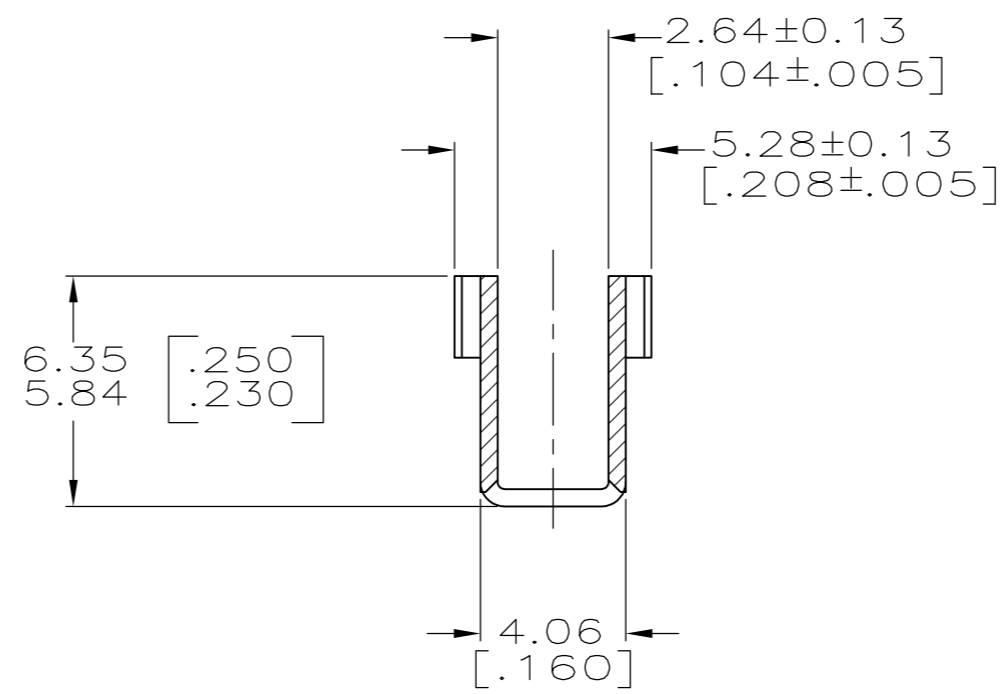
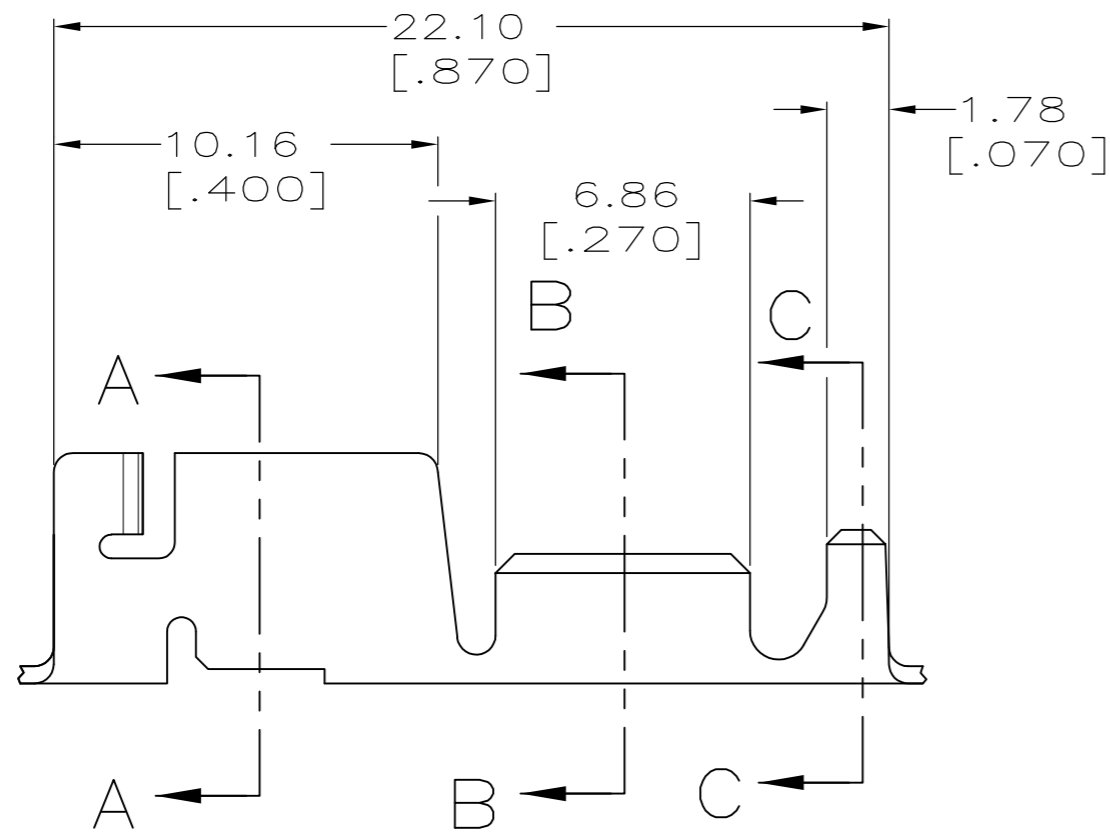
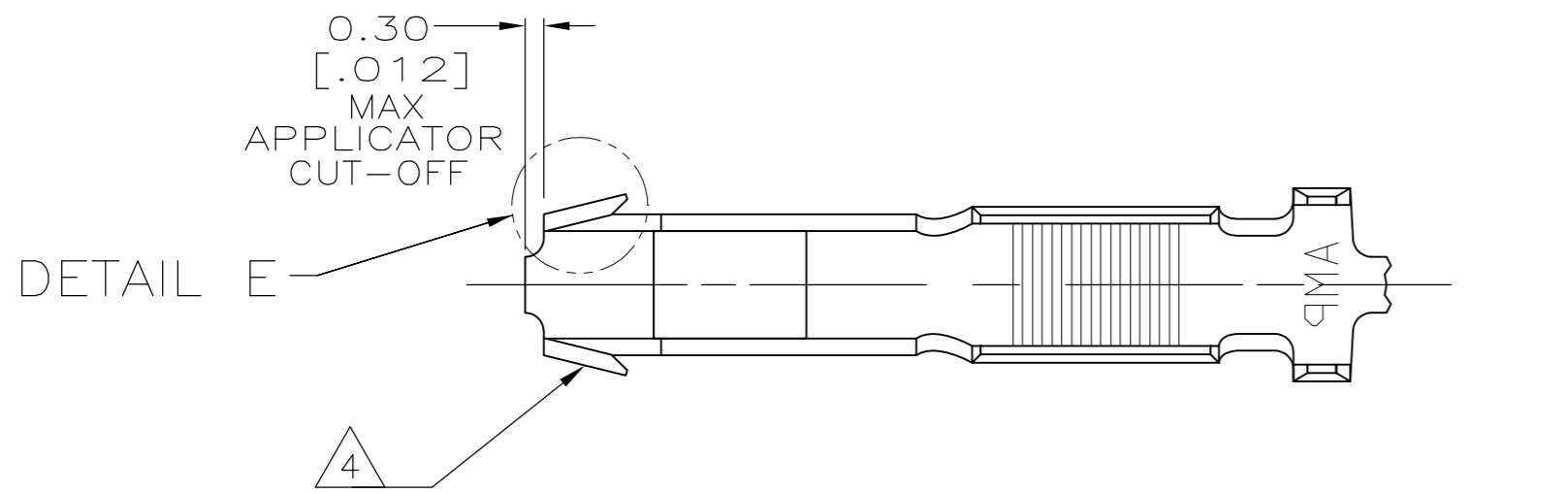
Email & Skype: info@chipsmall.com Web: www.chipsmall.com

Address: A1208, Overseas Decoration Building, #122 Zhenhua RD., Futian, Shenzhen, China

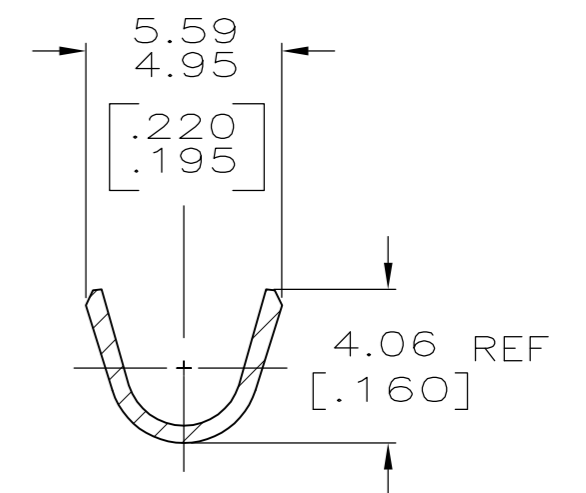


THIS DRAWING IS UNPUBLISHED. RELEASED FOR PUBLICATION
 © COPYRIGHT - By - ALL RIGHTS RESERVED.

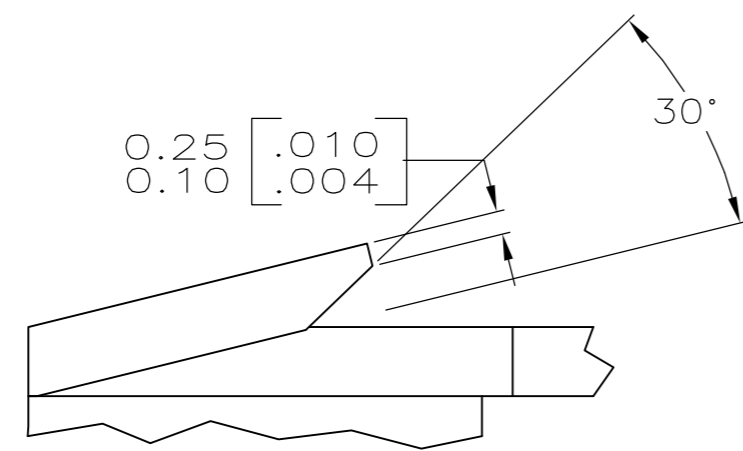
LOC		DIST		REVISIONS			
P	LTR	DESCRIPTION		DATE	DWN	APVD	
AF	50	C1		REVISED PER ECR-13-005529	05APR13	KH	GJ



SECTION B-B

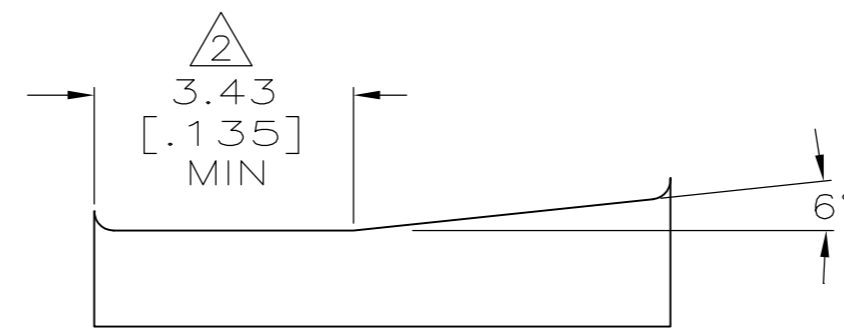


SECTION C-C



DETAIL E
SCALE 20:1

SECTION A-A



CRIMP CONFIGURATION

1.90-3.18 DIA [.075-.125]	1500-4200 CMA	1217671-1
INSULATION RANGE	WIRE RANGE	PART NUMBER

THIS DRAWING IS A CONTROLLED DOCUMENT.		DWN	JR RUTH	29JUN01	 TE Connectivity
DIMENSIONS:		CHK	G PORTA	29JUN01	
mm [INCHES]		APVD	G PORTA	29JUN01	
TOLERANCES UNLESS OTHERWISE SPECIFIED:		PRODUCT SPEC		NAME	
0 PLC	± -	108-2008		RECEPTACLE, CLUSTER PIN, AMPLIVAR™ 3.18[.125] DIA	
1 PLC	± -	APPLICATION SPEC		SIZE	
2 PLC	± 0.25 [.010]	114-2019		CAGE CODE	
3 PLC	± -	WEIGHT		DRAWING NO	
4 PLC	± -	CUSTOMER DRAWING		RESTRICTED TO	
ANGLES	± -	SCALE		5:1	
FINISH	POST TIN	SHEET		1 of 1	
MATERIAL	H03 PHOSPHOR BRONZE	REV		C1	