



Chipsmall Limited consists of a professional team with an average of over 10 year of expertise in the distribution of electronic components. Based in Hongkong, we have already established firm and mutual-benefit business relationships with customers from,Europe,America and south Asia,supplying obsolete and hard-to-find components to meet their specific needs.

With the principle of “Quality Parts,Customers Priority,Honest Operation,and Considerate Service”,our business mainly focus on the distribution of electronic components. Line cards we deal with include Microchip,ALPS,ROHM,Xilinx,Pulse,ON,Everlight and Freescale. Main products comprise IC,Modules,Potentiometer,IC Socket,Relay,Connector.Our parts cover such applications as commercial,industrial, and automotives areas.

We are looking forward to setting up business relationship with you and hope to provide you with the best service and solution. Let us make a better world for our industry!



Contact us

Tel: +86-755-8981 8866 Fax: +86-755-8427 6832

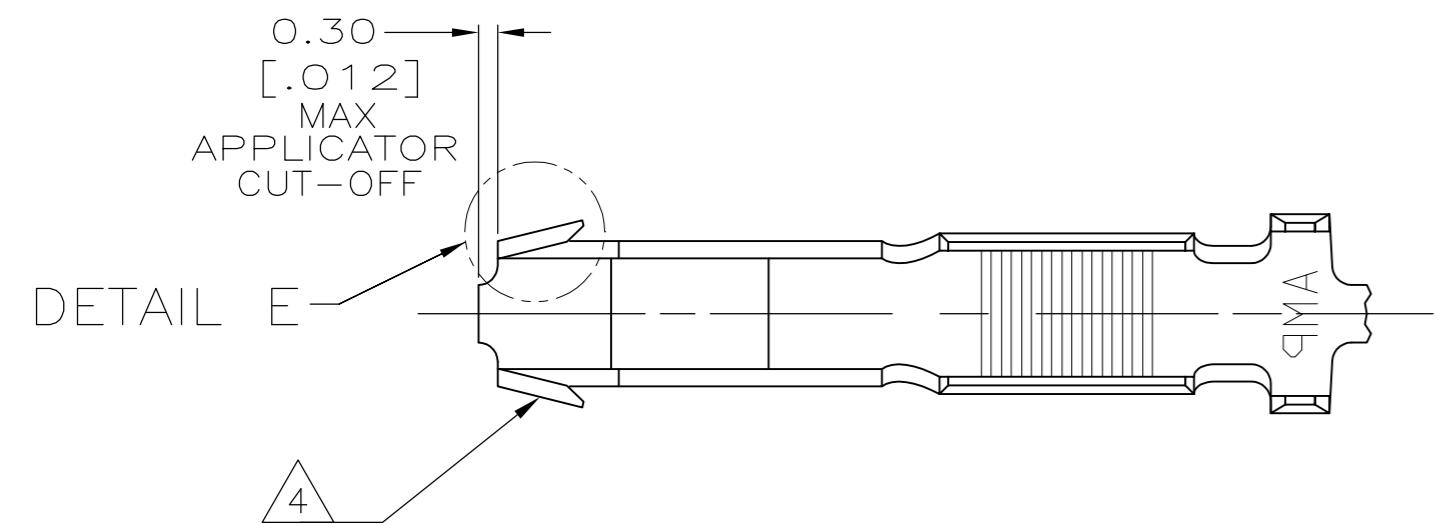
Email & Skype: info@chipsmall.com Web: www.chipsmall.com

Address: A1208, Overseas Decoration Building, #122 Zhenhua RD., Futian, Shenzhen, China



THIS DRAWING IS UNPUBLISHED. RELEASED FOR PUBLICATION
 © COPYRIGHT - By - ALL RIGHTS RESERVED.

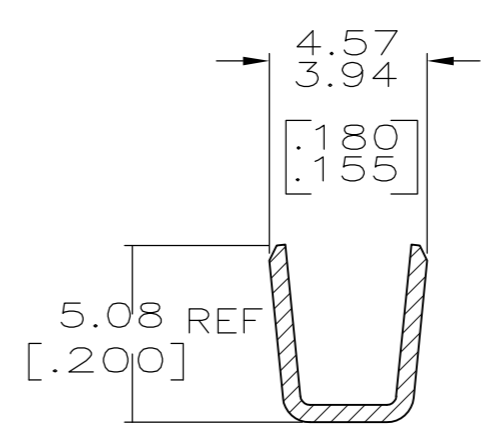
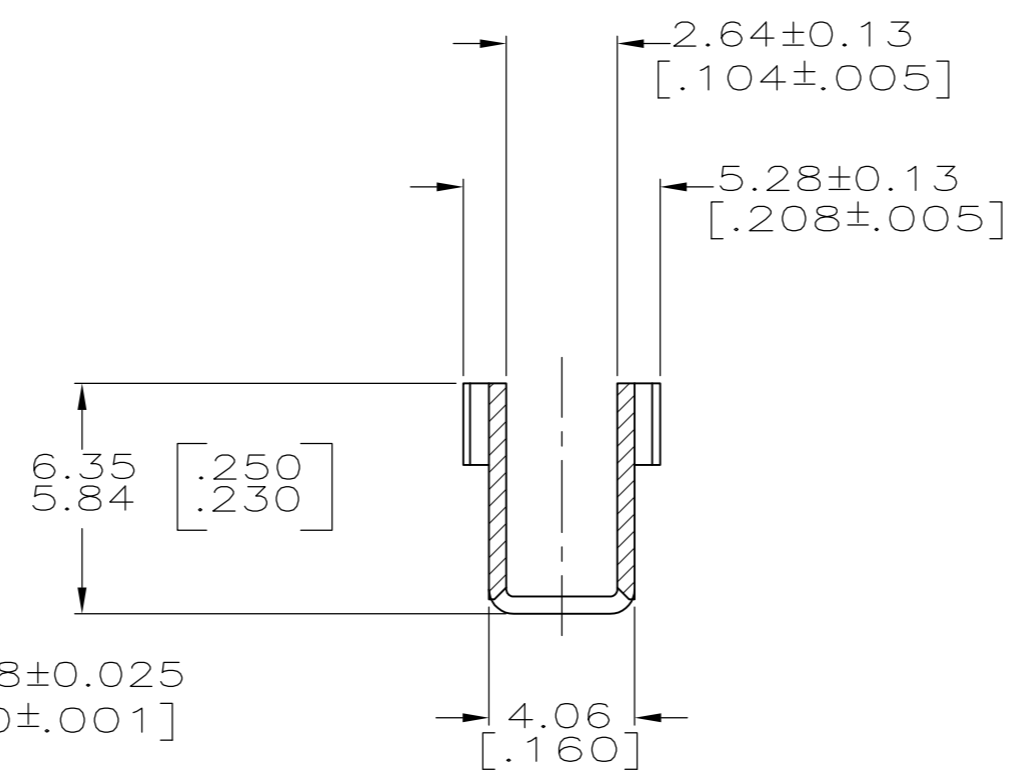
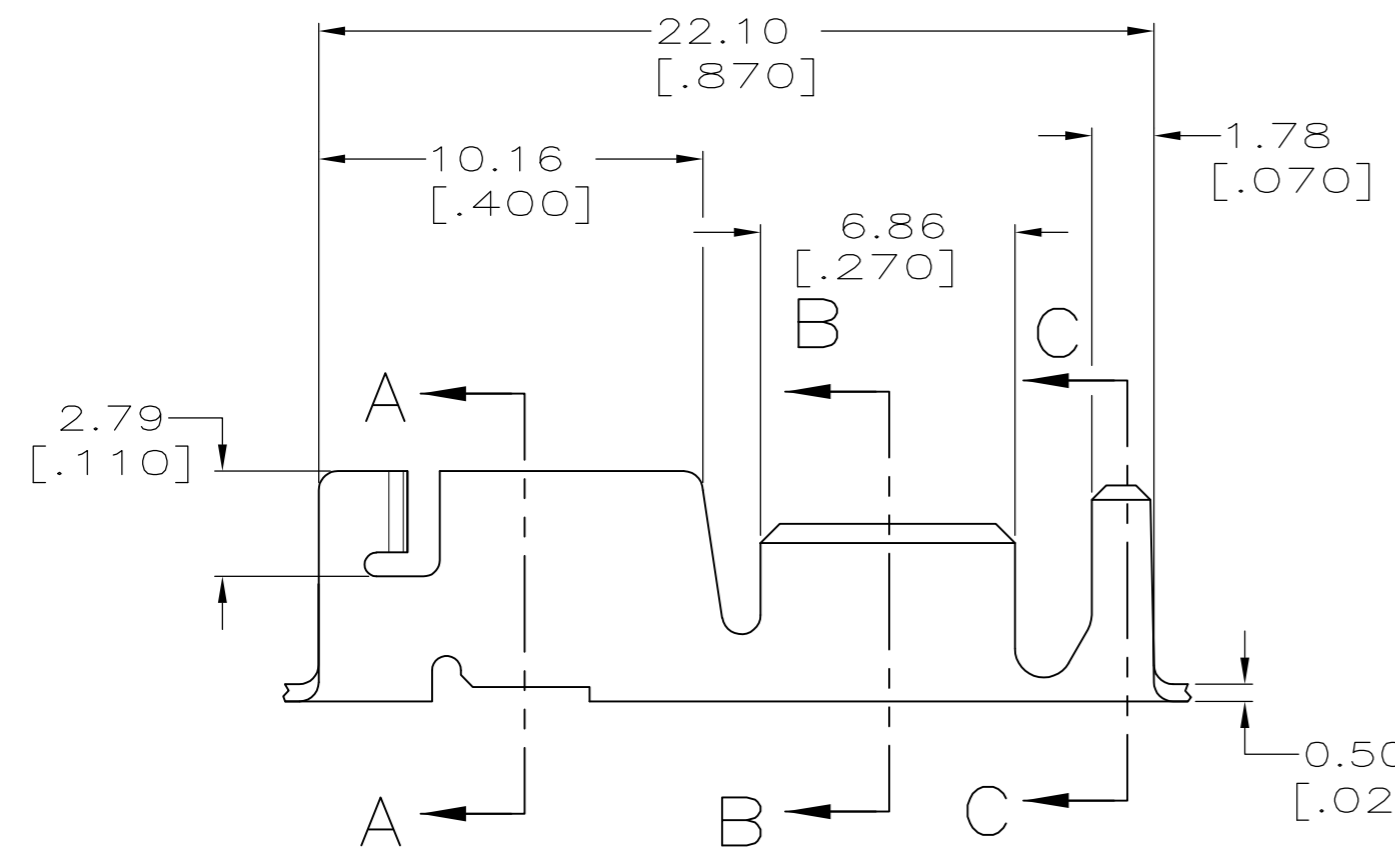
LOC	DIST	REVISIONS					
AF	50	P	LTR	DESCRIPTION	DATE	DWN	APVD
		C1		REVISED PER ECR-13-005529	05APR13	KH	GJ



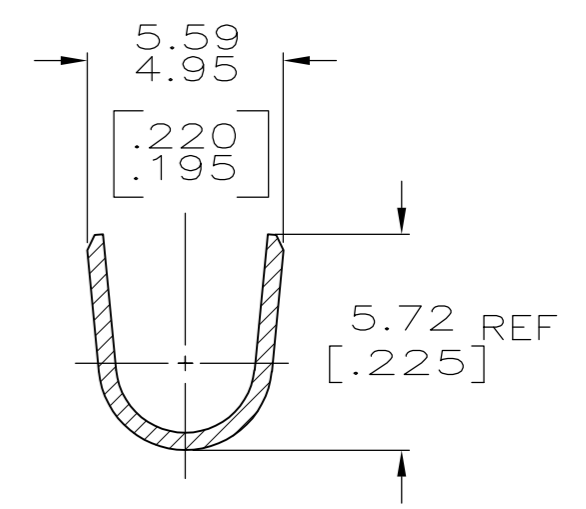
- 1 CONTINUOUS STRIP ON REELS WITH TERMINALS LOCATED ON 23.75±0.08 [.935±.003] CENTERS.
- △ 2 MEASURE CRIMP HEIGHT IN THIS AREA.
- 3 FORMULA TO CALCULATE CRIMP HEIGHT:

$$X = \frac{Y + 15200}{238100} \quad Y = \text{CMA}$$

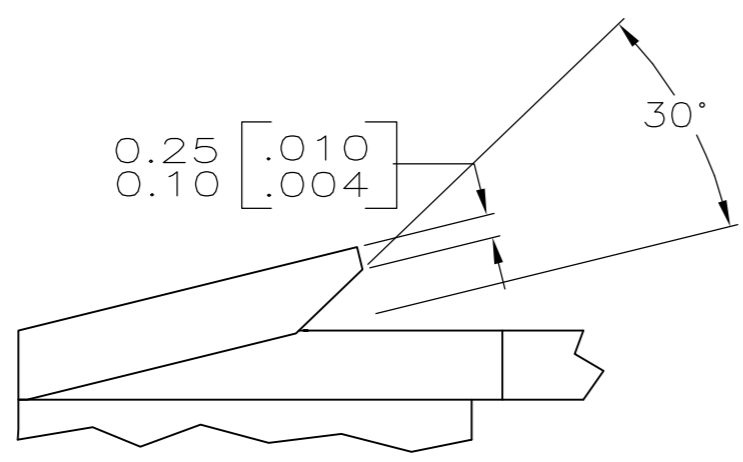
$$X = \text{CRIMP HEIGHT}$$
- △ 4 HIGH RETENTION FEATURE.



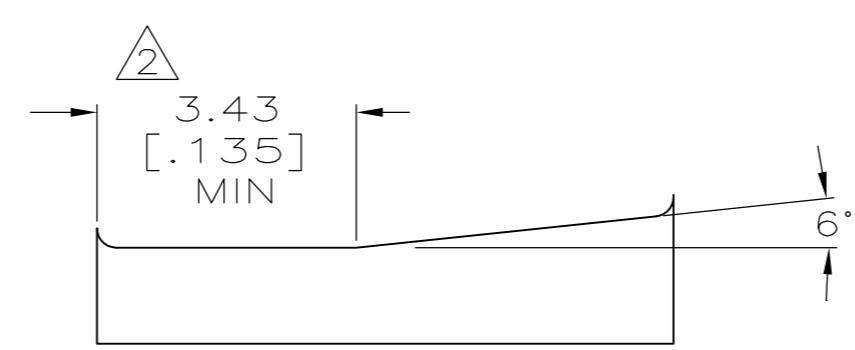
SECTION B-B



SECTION C-C



DETAIL E
SCALE 20:1



CRIMP CONFIGURATION

2.29-4.32 DIA [.090-.170]	4000-8500 CMA	1217672-1
INSULATION RANGE	WIRE RANGE	PART NUMBER

THIS DRAWING IS A CONTROLLED DOCUMENT.		DWN JR RUTH 29JUN01		
DIMENSIONS: mm [INCHES]		CHK G PORTA 29JUN01		
TOLERANCES UNLESS OTHERWISE SPECIFIED:		APVD G PORTA 29JUN01	NAME RECEPTACLE, CLUSTER PIN, AMPLIVAR™ 3.18[.125] DIA	
0 PLC ± -		PRODUCT SPEC 108-2008	SIZE A2	CAGE CODE 00779
1 PLC ± -		APPLICATION SPEC 114-2019	DRAWING NO C=1217672	RESTRICTED TO -
2 PLC ± 0.25 [.010]		WEIGHT -	SCALE 5:1	SHEET 1 of 1
3 PLC ± -		CUSTOMER DRAWING	REV C1	
4 PLC ± -				
ANGLES ± -				
FINISH H03 PHOSPHOR BRONZE		POST TIN		