



Chipsmall Limited consists of a professional team with an average of over 10 year of expertise in the distribution of electronic components. Based in Hongkong, we have already established firm and mutual-benefit business relationships with customers from,Europe,America and south Asia,supplying obsolete and hard-to-find components to meet their specific needs.

With the principle of "Quality Parts,Customers Priority,Honest Operation,and Considerate Service",our business mainly focus on the distribution of electronic components. Line cards we deal with include Microchip,ALPS,ROHM,Xilinx,Pulse,ON,Everlight and Freescale. Main products comprise IC,Modules,Potentiometer,IC Socket,Relay,Connector.Our parts cover such applications as commercial,industrial, and automotives areas.

We are looking forward to setting up business relationship with you and hope to provide you with the best service and solution. Let us make a better world for our industry!



## Contact us

Tel: +86-755-8981 8866 Fax: +86-755-8427 6832

Email & Skype: info@chipsmall.com Web: www.chipsmall.com

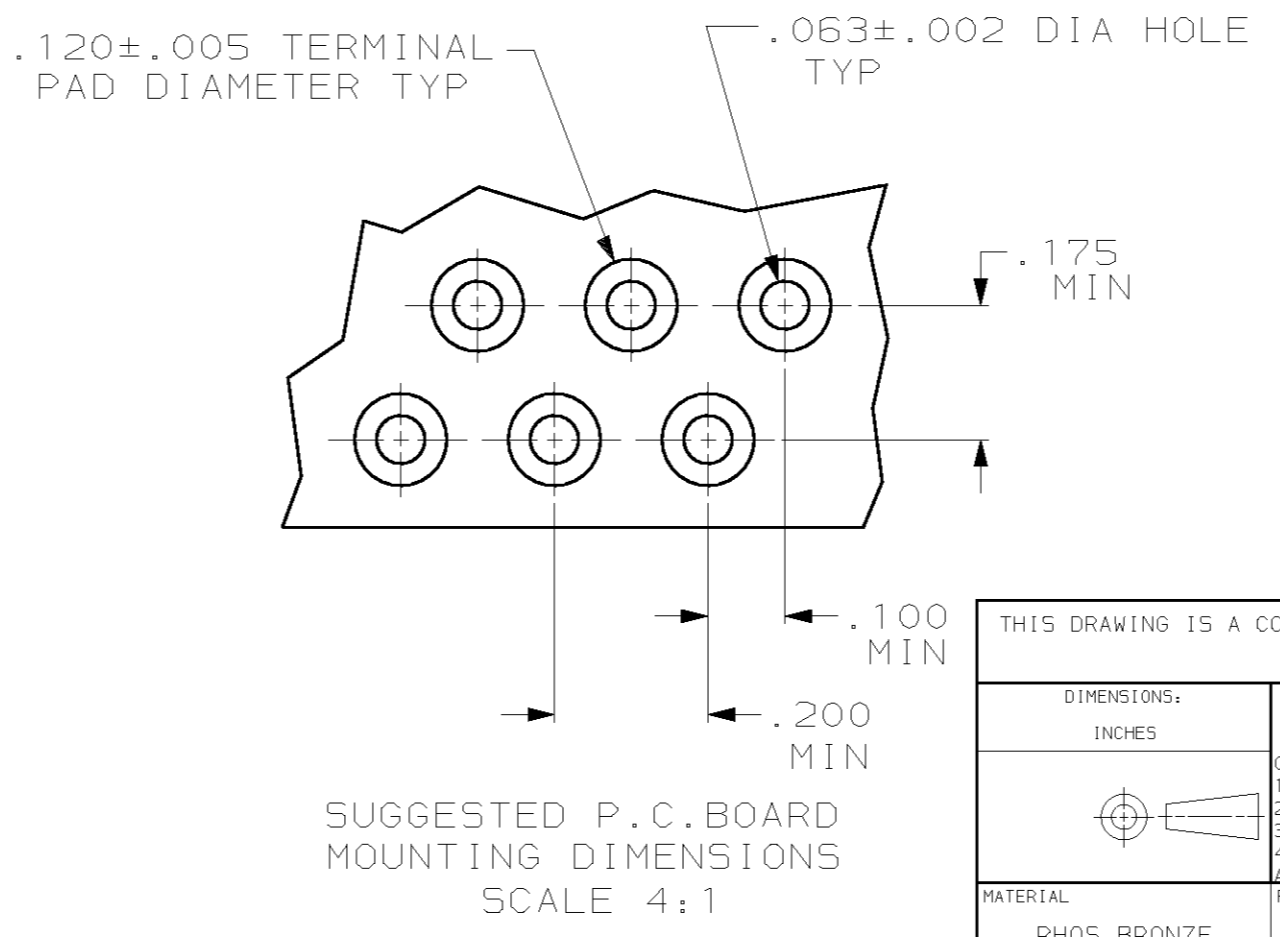
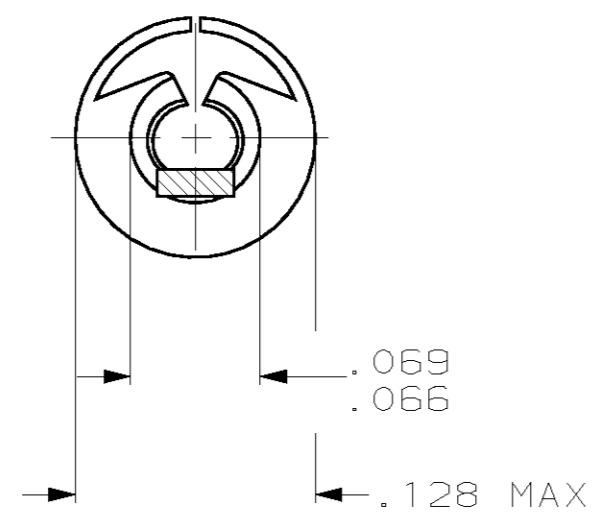
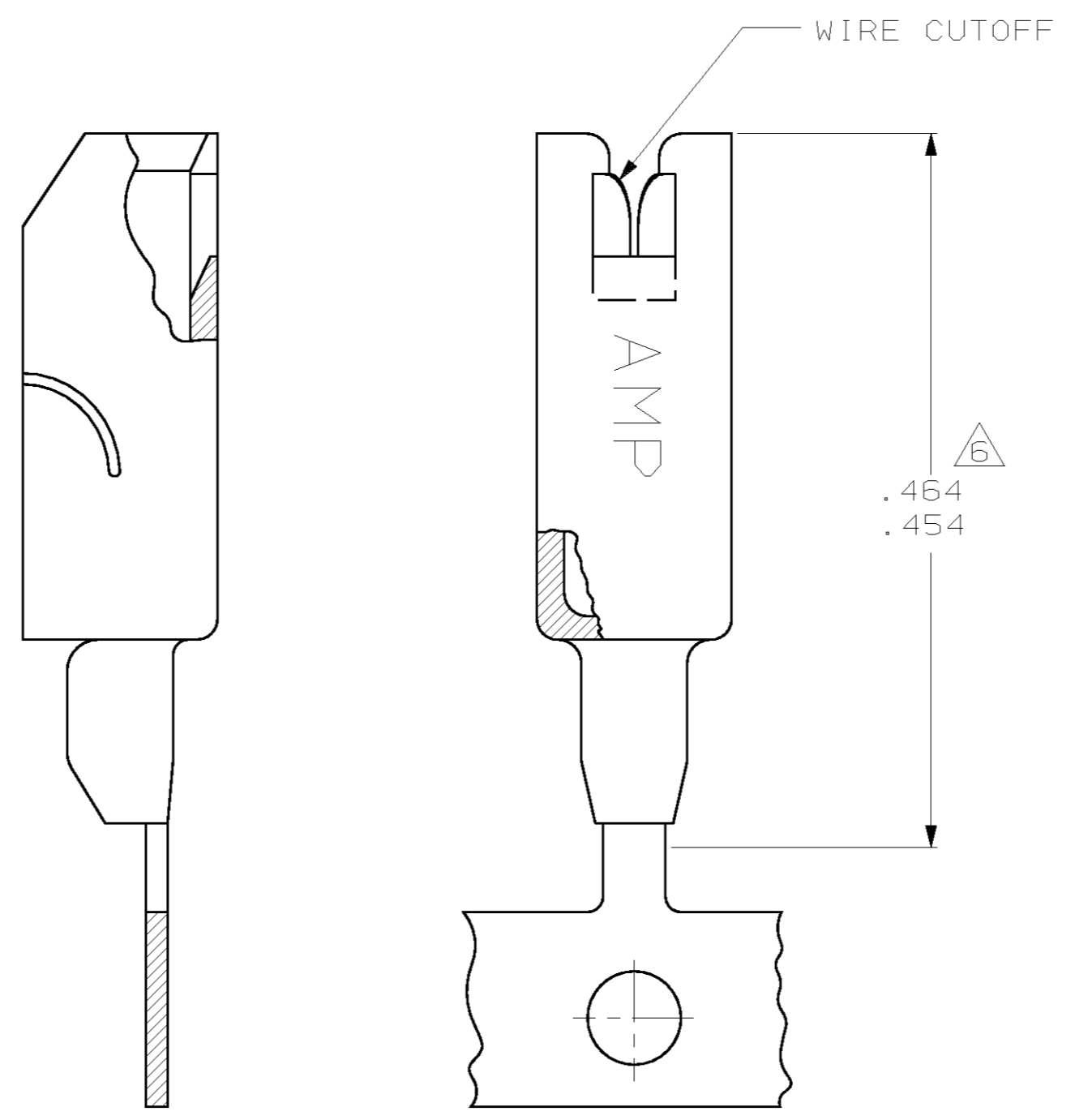
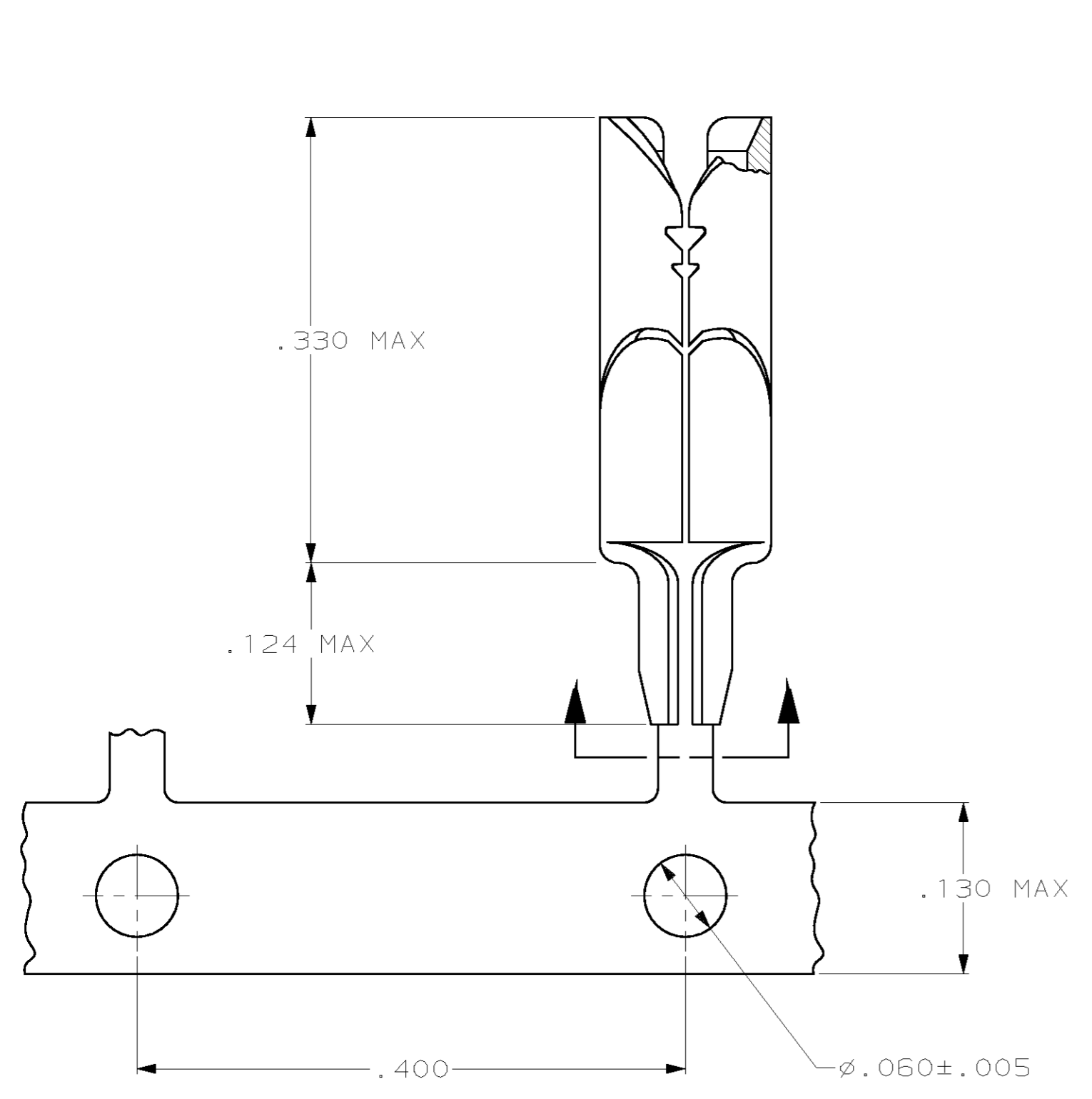
Address: A1208, Overseas Decoration Building, #122 Zhenhua RD., Futian, Shenzhen, China



THIS DRAWING IS UNPUBLISHED. RELEASED FOR PUBLICATION .19  
 (C) COPYRIGHT 19 BY AMP INCORPORATED. ALL RIGHTS RESERVED.

LOC	DIST	REVISIONS					
		P	LTR	DESCRIPTION	DATE	DWN	APVD
AA	27	A		REL PER 063A-0445-01	03DEC01	JR	EH

- 1 FOR USE IN PRINTED CIRCUIT BOARDS .062/.094 THICK.
- 2 WIRE RANGE : 22-26 AWG SOLID OR STRANDED WIRE. MAXIMUM INSULATION DIA OF .086 IS ACCEPTABLE FOR MOST APPLICATIONS.
- 3 TERMINAL SHALL ACCOMMODATE ONE OR TWO WIRES OF THE SAME TYPE AND WITHIN PLUS OR MINUS ONE WIRE GAGE SIZE. EXAMPLE: 24 AWG MAY BE MIXED WITH EITHER 26 OR 22 AWG.
- 4 USE INSERTION TOOL, P/N 231890-1.
- 5 WHEN USING TEFLON INSULATED WIRES USE 1217675-1.
- 6 CUT-OFF DIMENSION FOR LOOSE PIECE PARTS ONLY.
- 7 ONE LOOSE END STYLE SPLICE ALLOWED PER REEL.
- 8 PREPRODUCTION - FASR REQ.



230549-1	STRIP MOUNTED	AS SHOWN	1217675-1
TERMINAL INSERTION TOOL	DESCRIPTION	PART NO.	
THIS DRAWING IS A CONTROLLED DOCUMENT. DWN JR RUTH 10JUL01 CHK MS FEHER 10JUL01 APVD E HOWARD 10JUL01 PRODUCT SPEC APPLICATION SPEC MATERIAL PHOS BRONZE FINISH PRE-TINNED		<b>AMP</b> AMP Incorporated Harrisburg, PA 17105-3608 <b>TERMINAL, .125 DIA WITH CUTOFF, AMP BARREL</b> SIZE A2 CAGE CODE 00779 DRAWING NO. 1217675 RESTRICTED TO WEIGHT - SCALE 10:1 SHEET 1 OF 1 REV A CUSTOMER DRAWING	