



Chipsmall Limited consists of a professional team with an average of over 10 year of expertise in the distribution of electronic components. Based in Hongkong, we have already established firm and mutual-benefit business relationships with customers from,Europe,America and south Asia,supplying obsolete and hard-to-find components to meet their specific needs.

With the principle of “Quality Parts,Customers Priority,Honest Operation,and Considerate Service”,our business mainly focus on the distribution of electronic components. Line cards we deal with include Microchip,ALPS,ROHM,Xilinx,Pulse,ON,Everlight and Freescale. Main products comprise IC,Modules,Potentiometer,IC Socket,Relay,Connector.Our parts cover such applications as commercial,industrial, and automotives areas.

We are looking forward to setting up business relationship with you and hope to provide you with the best service and solution. Let us make a better world for our industry!



Contact us

Tel: +86-755-8981 8866 Fax: +86-755-8427 6832

Email & Skype: info@chipsmall.com Web: www.chipsmall.com

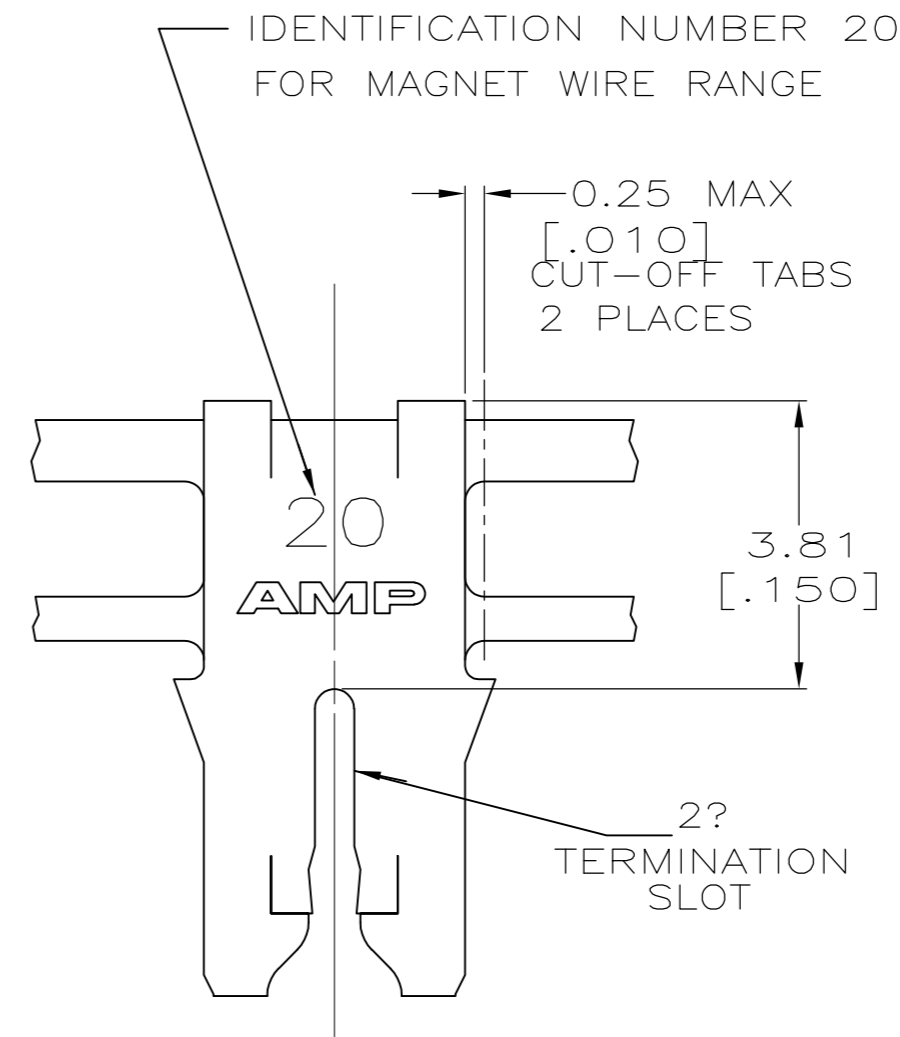
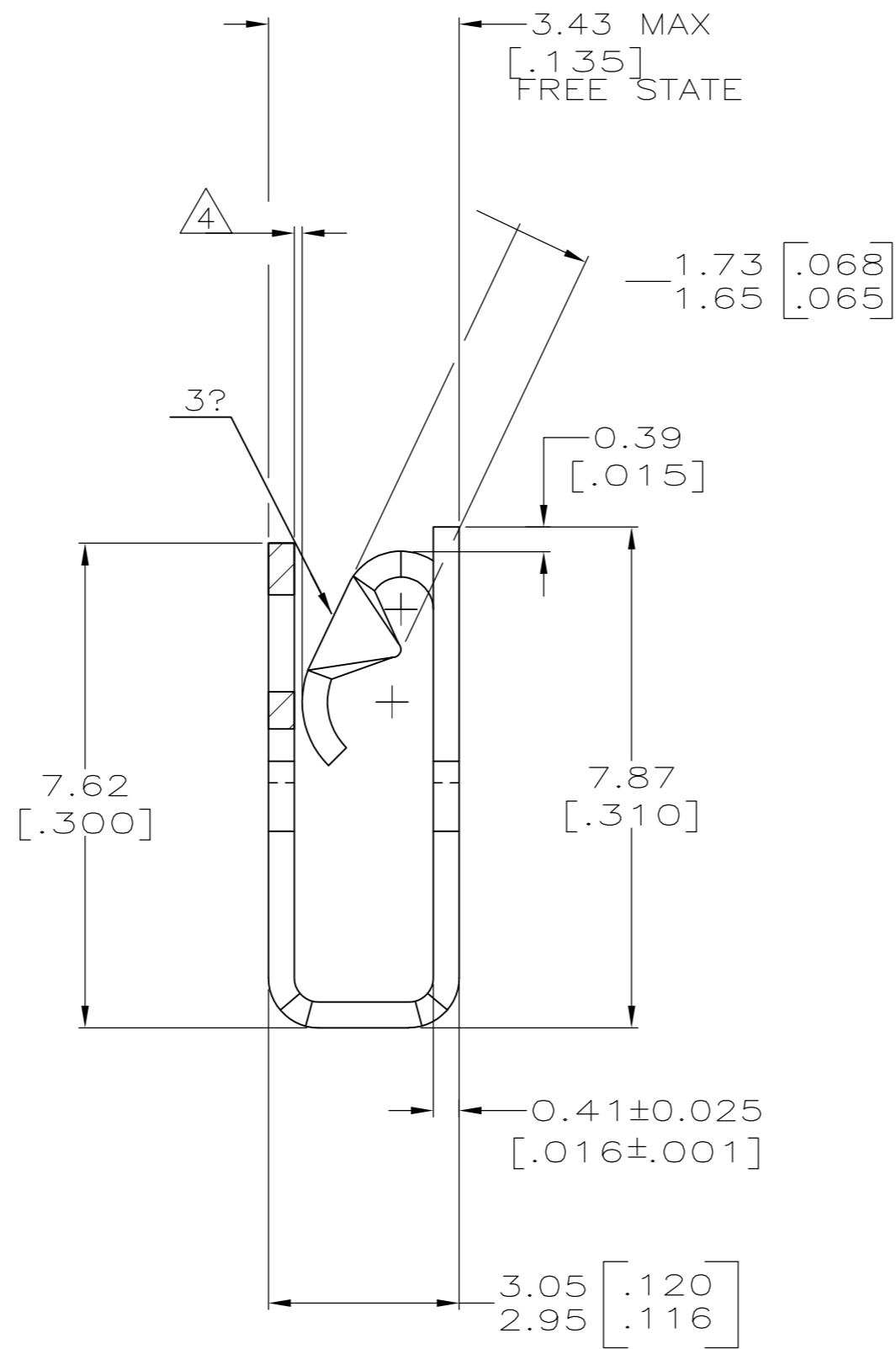
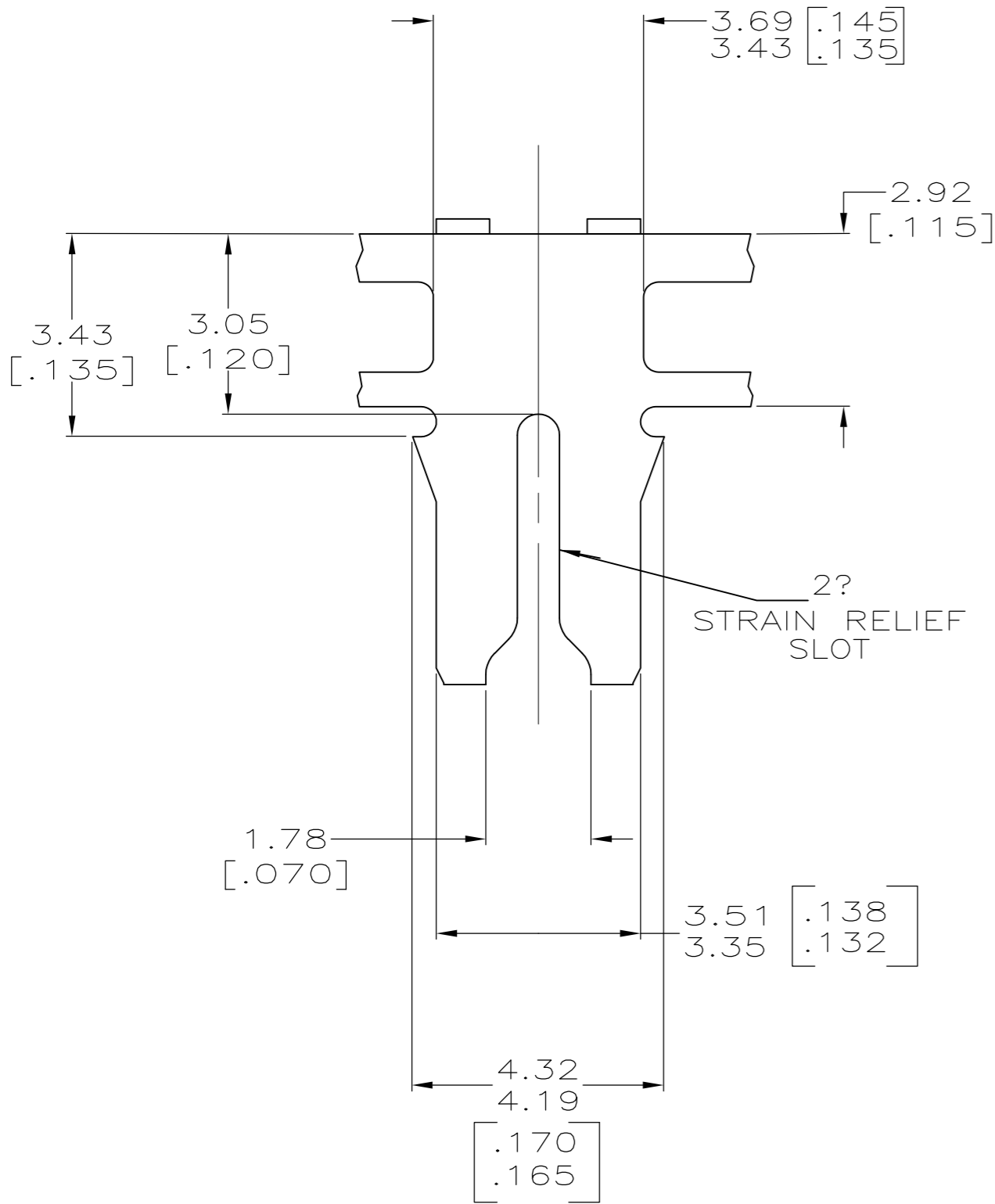
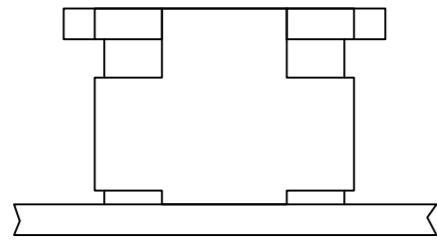
Address: A1208, Overseas Decoration Building, #122 Zhenhua RD., Futian, Shenzhen, China



THIS DRAWING IS UNPUBLISHED. RELEASED FOR PUBLICATION .19
 © COPYRIGHT 19 BY AMP INCORPORATED. ALL RIGHTS RESERVED.

LOC	DIST	REVISIONS			
P	LTR	DESCRIPTION	DATE	DWN	APVD
AF	50	B1	REVISED PER ECR-12-022060	26DEC12	LL FM

- 1 CONTINUOUS STRIP ON REELS WITH TERMINALS LOCATED ON 5.59±0.08 [.220±.003] CENTERS
- 2? SLOT ACCEPTS A 0.68-0.81mm [#21.5-#20] AWG COPPER MAGNET WIRE.
- 3? MATES WITH STANDARD MAG-MATE STYLED POKE-IN TAB TERMINAL.
- △4 WHEN FREE STATE IS COMPRESSED TO 3.23 [.127] DIMENSION GAP BETWEEN SPRING AND CARRIER IS TO BE 0.30 [.012] MAX.
- △5 0.002032 [.000080] MIN TIN OVER 0.00127 [.000050] MIN NICKEL UNDERPLATE.
- △6 ANTI-FRETTING LUBRICANT APPLIED.
- △7 0.00382 [.000150] MIN SILVER PLATE OVER 0.00127 [.000050] MIN NICKEL UNDERPLATE.
- △8 PRELIMINARY - NOT FOR PRODUCTION.



FINISH	MATERIAL	PART NUMBER
△7	4M BRASS	△8 1217688-4
△5	H04 PHOSPHOR BRONZE	△8 1217688-3
△5	4M BRASS	△8 1217688-2
△5	4M BRASS	1217688-1

THIS DRAWING IS A CONTROLLED DOCUMENT.		DWN MICHAEL S. FEHER 12OCT2001	AMP Incorporated Harrisburg, PA 17105-3608	
DIMENSIONS: mm[INCHES]	TOLERANCES UNLESS OTHERWISE SPECIFIED:	CHK KURT A. RANDOLPH 17OCT2001	NAME KURT A. RANDOLPH	
	0 PLC ±- 1 PLC ±- 2 PLC ±0.25[.010] 3 PLC ±- 4 PLC ±- ANGLES ±-	APVD KURT A. RANDOLPH 17OCT2001	PRODUCT SPEC 108-2012	
MATERIAL SEE TABLE	FINISH SEE TABLE	APPLICATION SPEC 114-2046	SIZE A2	CAGE CODE 00779
		WEIGHT -	DRAWING NO 1217688	RESTRICTED TO -
		CUSTOMER DRAWING	SCALE 10:1	SHEET 1 OF 1
			REV B1	

1217688

A