



Chipsmall Limited consists of a professional team with an average of over 10 year of expertise in the distribution of electronic components. Based in Hongkong, we have already established firm and mutual-benefit business relationships with customers from,Europe,America and south Asia,supplying obsolete and hard-to-find components to meet their specific needs.

With the principle of “Quality Parts,Customers Priority,Honest Operation,and Considerate Service”,our business mainly focus on the distribution of electronic components. Line cards we deal with include Microchip,ALPS,ROHM,Xilinx,Pulse,ON,Everlight and Freescale. Main products comprise IC,Modules,Potentiometer,IC Socket,Relay,Connector.Our parts cover such applications as commercial,industrial, and automotives areas.

We are looking forward to setting up business relationship with you and hope to provide you with the best service and solution. Let us make a better world for our industry!



## Contact us

Tel: +86-755-8981 8866 Fax: +86-755-8427 6832

Email & Skype: info@chipsmall.com Web: www.chipsmall.com

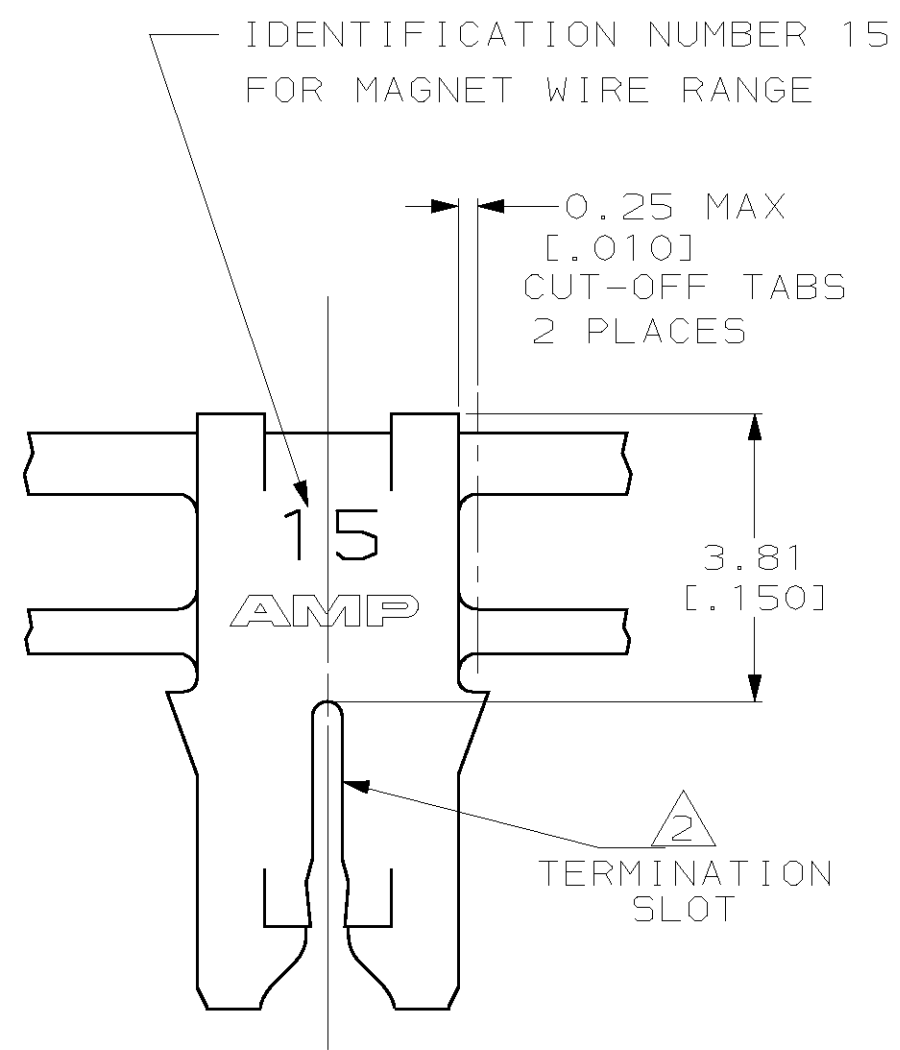
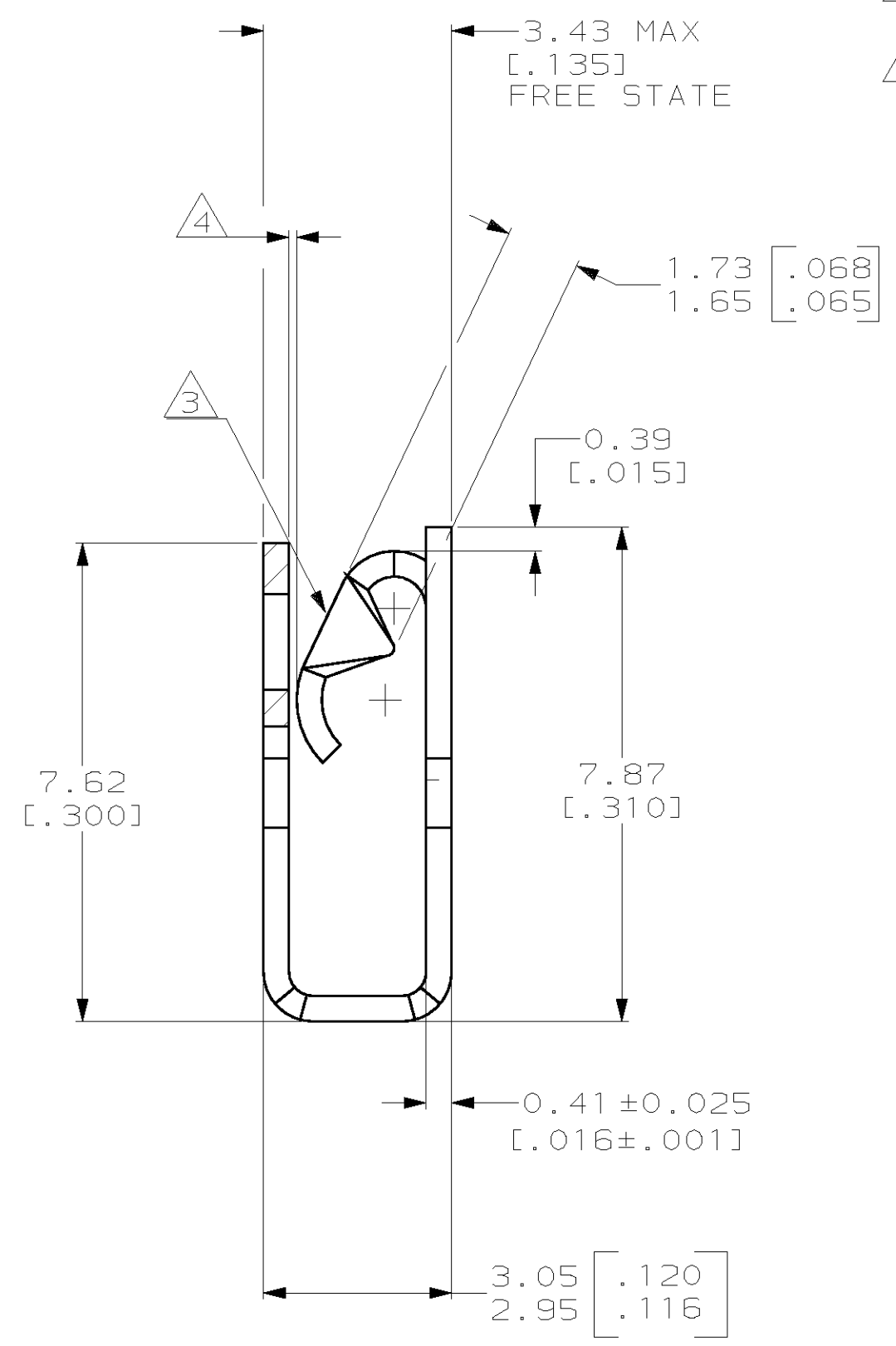
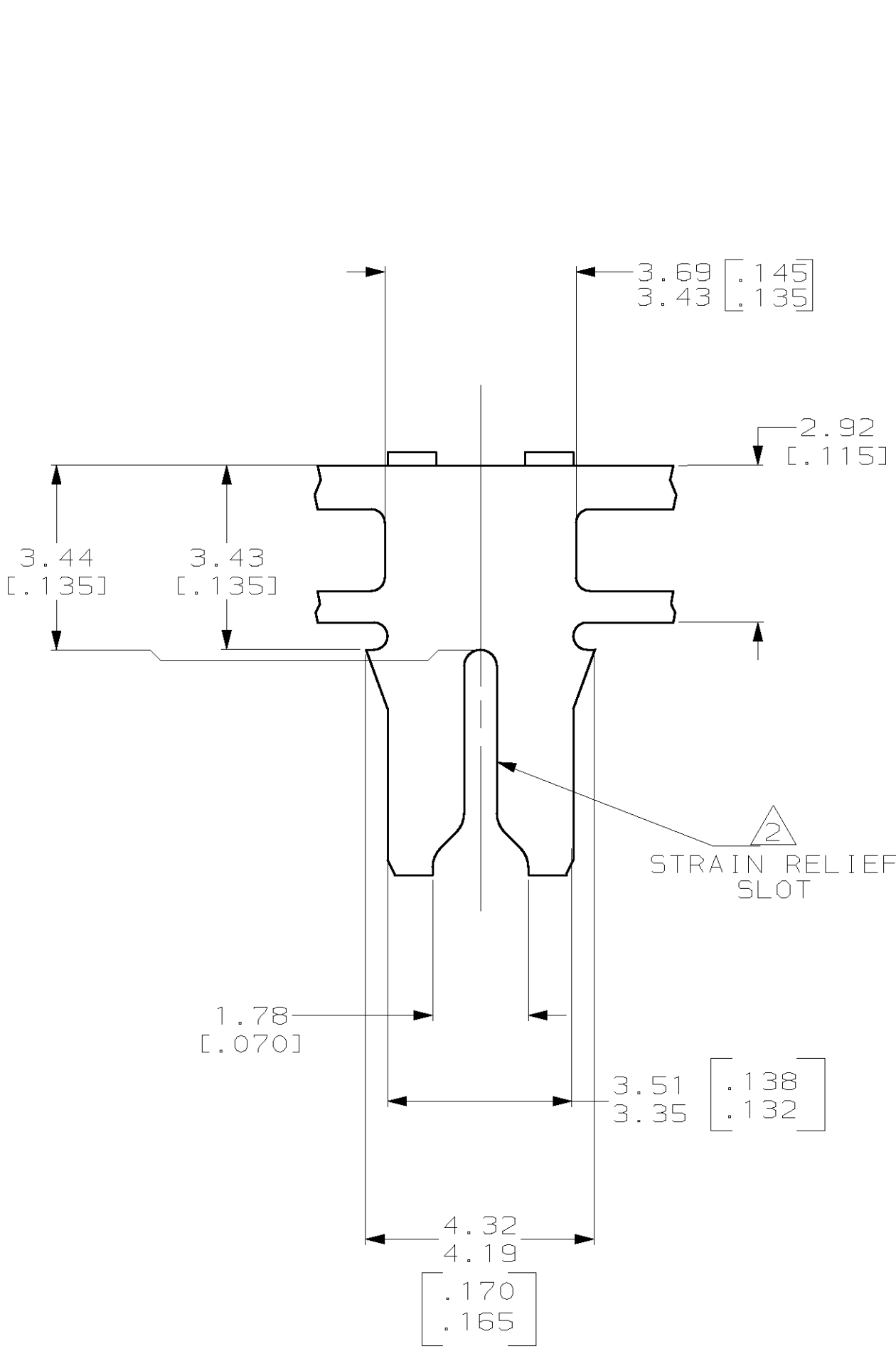
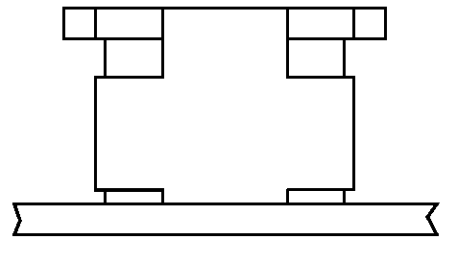
Address: A1208, Overseas Decoration Building, #122 Zhenhua RD., Futian, Shenzhen, China



THIS DRAWING IS UNPUBLISHED. RELEASED FOR PUBLICATION  
 BY AMP INCORPORATED. ALL RIGHTS RESERVED.

LOC		DIST		REVISIONS			
P	LTR	DESCRIPTION		DATE	DWN	APVD	
AF	50	B		REVISED PER 063A-0047-02	05FEB02	MF	KR

- 1 CONTINUOUS STRIP ON REELS WITH TERMINALS LOCATED ON 5.59±0.08 [.220±.003] CENTERS
- 2 SLOT ACCEPTS A 0.54-0.64mm [#23.5-#22] AWG COPPER MAGNET WIRE.
- 3 MATES WITH STANDARD MAG-MATE STYLED POKE-IN TAB TERMINAL.
- 4 WHEN FREE STATE IS COMPRESSED TO 3.23 [.127] DIMENSION GAP BETWEEN SPRING AND CARRIER IS TO BE 0.30 [.012] MAX.
- 5 0.002032 [.000080] MIN TIN OVER  
0.00127 [.000050] MIN NICKEL UNDERPLATE.
- 6 ANTI-FRETTING LUBRICANT APPLIED.
- 7 0.00382 [.000150] MIN SILVER PLATE OVER  
0.00127 [.000050] MIN NICKEL UNDERPLATE.
- 8 PRELIMINARY - NOT FOR PRODUCTION.



FINISH	MATERIAL	PART NUMBER
7	4M BRASS	8 1217689-4
5 6	H04 PHOSPHOR BRONZE	8 1217689-3
5 6	4M BRASS	8 1217689-2
5	4M BRASS	1217689-1

THIS DRAWING IS A CONTROLLED DOCUMENT.		DWN SAMUEL D. WYNN 150C12001	AMP Incorporated Harrisburg, PA 17105-3608	
DIMENSIONS: mm [INCHES]		CHK MICHAEL S. FEHER 170C12001	SPECIAL LEAF CONTACT, 300 SERIES MAG-MATE™	
TOLERANCES UNLESS OTHERWISE SPECIFIED:		APVD KURT A. RANDOLPH 170C12001	SIZE CAGE CODE DRAWING NO RESTRICTED TO	
0 PLC ±		PRODUCT SPEC 108-2012	A2 00779 C- 1217689	
1 PLC ±		APPLICATION SPEC 114-2046	SCALE 10:1 SHEET 1 OF 1 REV B	
2 PLC ±0.25 [.010]		WEIGHT -		
3 PLC ±		CUSTOMER DRAWING		
4 PLC ±				
ANGLES ±				
FINISH SEE TABLE				

1217689