



Chipsmall Limited consists of a professional team with an average of over 10 year of expertise in the distribution of electronic components. Based in Hongkong, we have already established firm and mutual-benefit business relationships with customers from,Europe,America and south Asia,supplying obsolete and hard-to-find components to meet their specific needs.

With the principle of “Quality Parts,Customers Priority,Honest Operation,and Considerate Service”,our business mainly focus on the distribution of electronic components. Line cards we deal with include Microchip,ALPS,ROHM,Xilinx,Pulse,ON,Everlight and Freescale. Main products comprise IC,Modules,Potentiometer,IC Socket,Relay,Connector.Our parts cover such applications as commercial,industrial, and automotives areas.

We are looking forward to setting up business relationship with you and hope to provide you with the best service and solution. Let us make a better world for our industry!



Contact us

Tel: +86-755-8981 8866 Fax: +86-755-8427 6832

Email & Skype: info@chipsmall.com Web: www.chipsmall.com

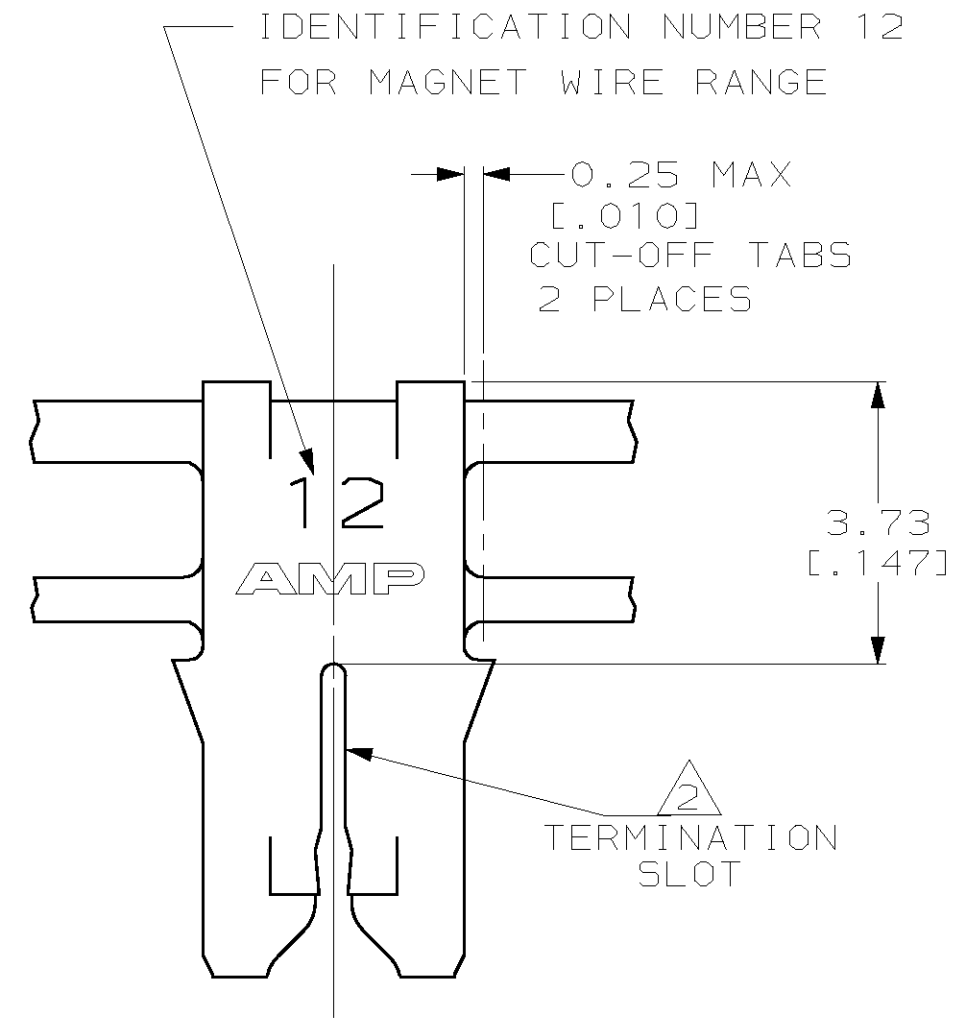
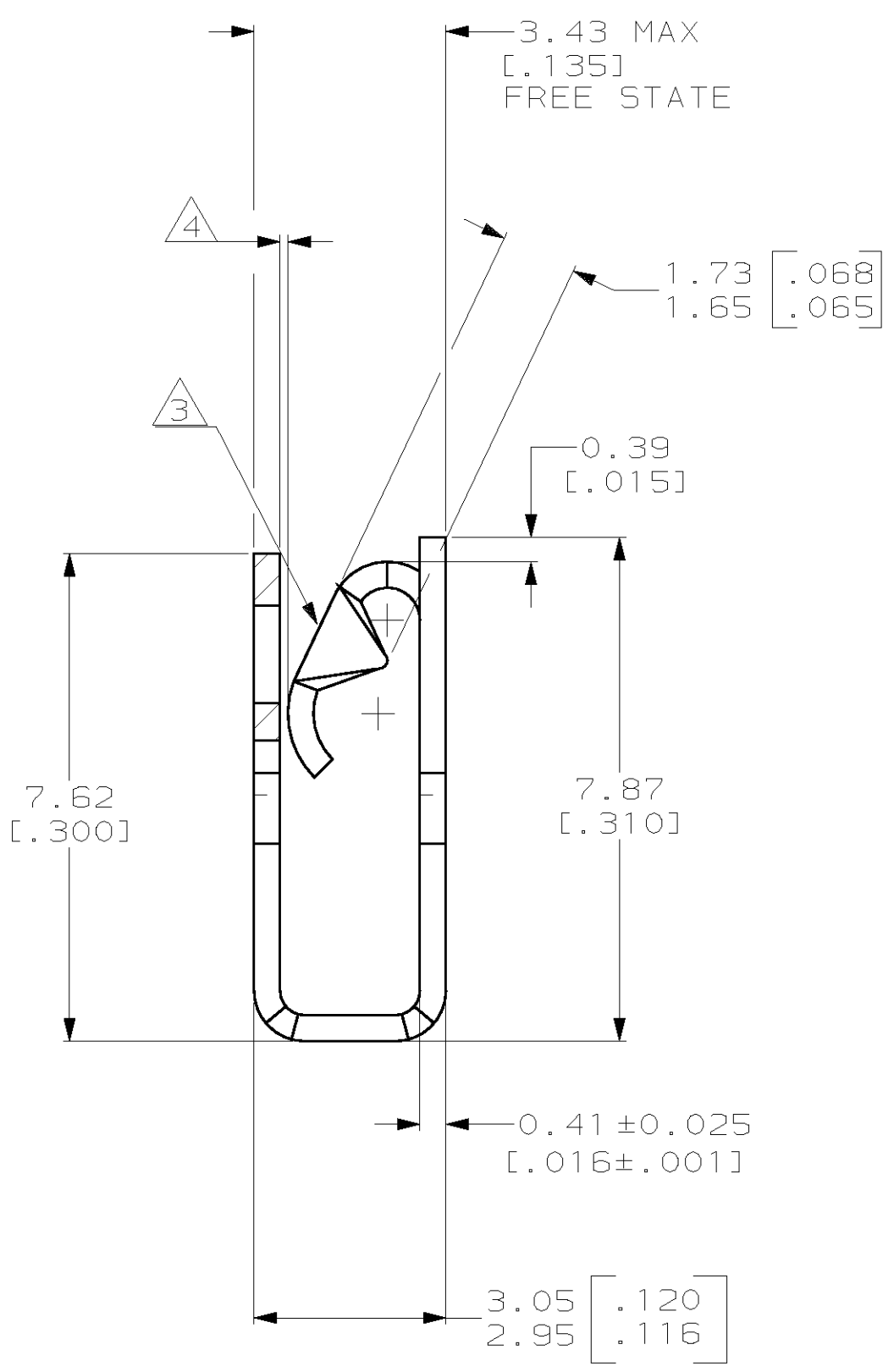
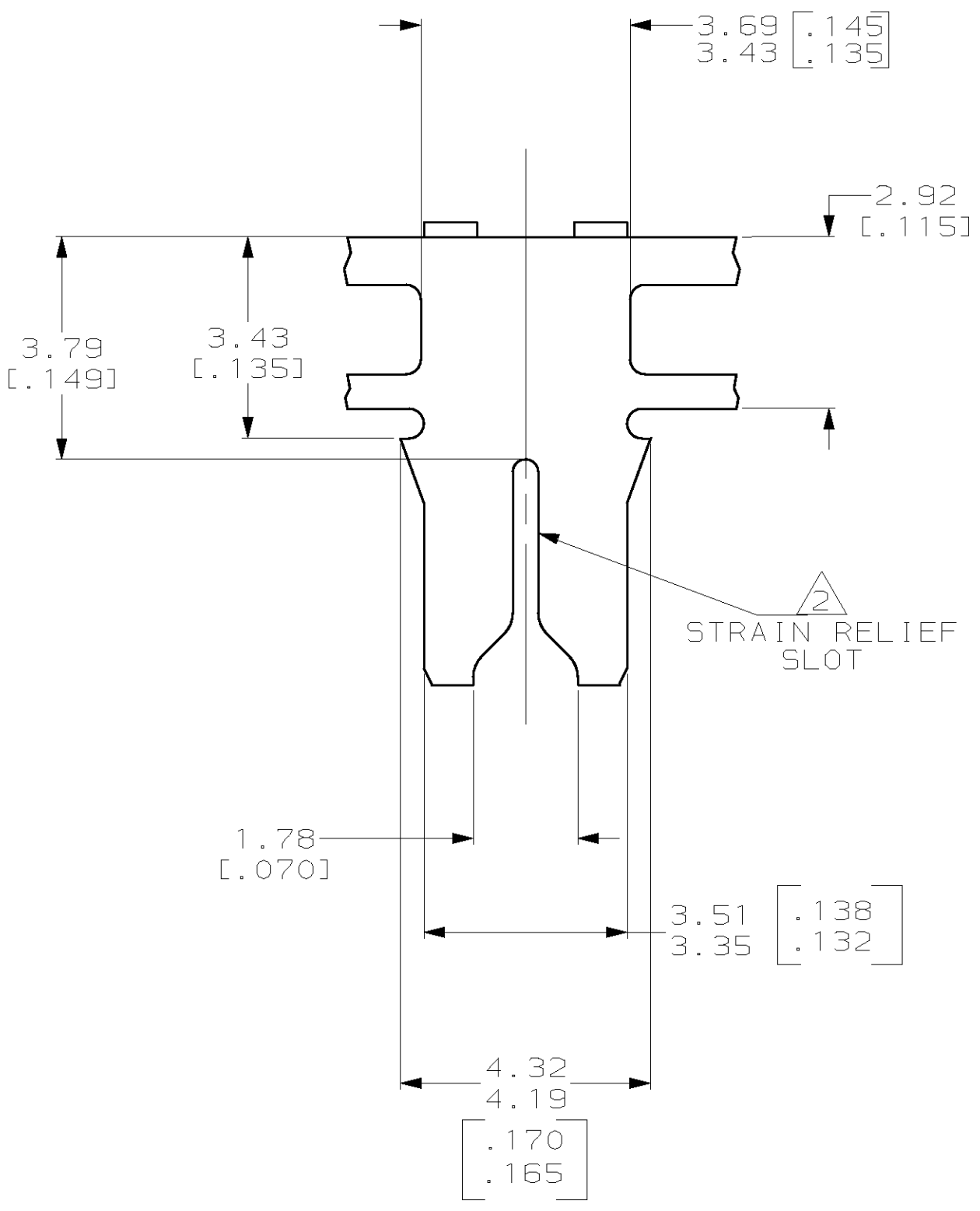
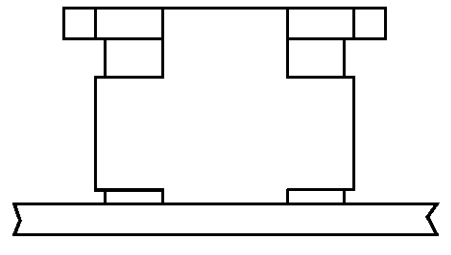
Address: A1208, Overseas Decoration Building, #122 Zhenhua RD., Futian, Shenzhen, China



THIS DRAWING IS UNPUBLISHED. RELEASED FOR PUBLICATION
 BY AMP INCORPORATED. ALL RIGHTS RESERVED.

LOC		DIST		REVISIONS			
P	LTR	DESCRIPTION		DATE	DWN	APVD	
AF	50	B		REVISED PER 063A-0047-02	05FEB02	MF	KR

- 1 CONTINUOUS STRIP ON REELS WITH TERMINALS LOCATED ON 5.59±0.08 [.220±.003] CENTERS
- 2 SLOT ACCEPTS A 0.43-0.51mm [#25.5-#24] AWG COPPER MAGNET WIRE.
- 3 MATES WITH STANDARD MAG-MATE STYLED POKE-IN TAB TERMINAL.
- 4 WHEN FREE STATE IS COMPRESSED TO 3.23 [.127] DIMENSION GAP BETWEEN SPRING AND CARRIER IS TO BE 0.30 [.012] MAX.
- 5 0.002032 [.000080] MIN TIN OVER
0.00127 [.000050] MIN NICKEL UNDERPLATE.
- 6 ANTI-FRETTING LUBRICANT APPLIED.
- 7 0.00382 [.000150] MIN SILVER PLATE OVER
0.00127 [.000050] MIN NICKEL UNDERPLATE.
- 8 PRELIMINARY - NOT FOR PRODUCTION.



FINISH	MATERIAL	PART NUMBER
7	4M BRASS	8 1217690-4
5 6	H04 PHOSPHOR BRONZE	8 1217690-3
5 6	4M BRASS	8 1217690-2
5	4M BRASS	1217690-1

THIS DRAWING IS A CONTROLLED DOCUMENT.

DWN MICHAEL S. FEHER 150C12001
 CHK KURT A. RANDOLPH 170C12001
 APVD KURT A. RANDOLPH 170C12001

AMP AMP Incorporated
 Harrisburg, PA 17105-3608

SPECIAL LEAF CONTACT,
 300 SERIES MAG-MATE™

SIZE: A2 CAGE CODE: 00779 DRAWING NO: 1217690 RESTRICTED TO: -
 SCALE: 10:1 SHEET: 1 OF 1 REV: B

CUSTOMER DRAWING

1217690