



Chipsmall Limited consists of a professional team with an average of over 10 year of expertise in the distribution of electronic components. Based in Hongkong, we have already established firm and mutual-benefit business relationships with customers from,Europe,America and south Asia,supplying obsolete and hard-to-find components to meet their specific needs.

With the principle of "Quality Parts,Customers Priority,Honest Operation,and Considerate Service",our business mainly focus on the distribution of electronic components. Line cards we deal with include Microchip,ALPS,ROHM,Xilinx,Pulse,ON,Everlight and Freescale. Main products comprise IC,Modules,Potentiometer,IC Socket,Relay,Connector.Our parts cover such applications as commercial,industrial, and automotives areas.

We are looking forward to setting up business relationship with you and hope to provide you with the best service and solution. Let us make a better world for our industry!



## Contact us

Tel: +86-755-8981 8866 Fax: +86-755-8427 6832

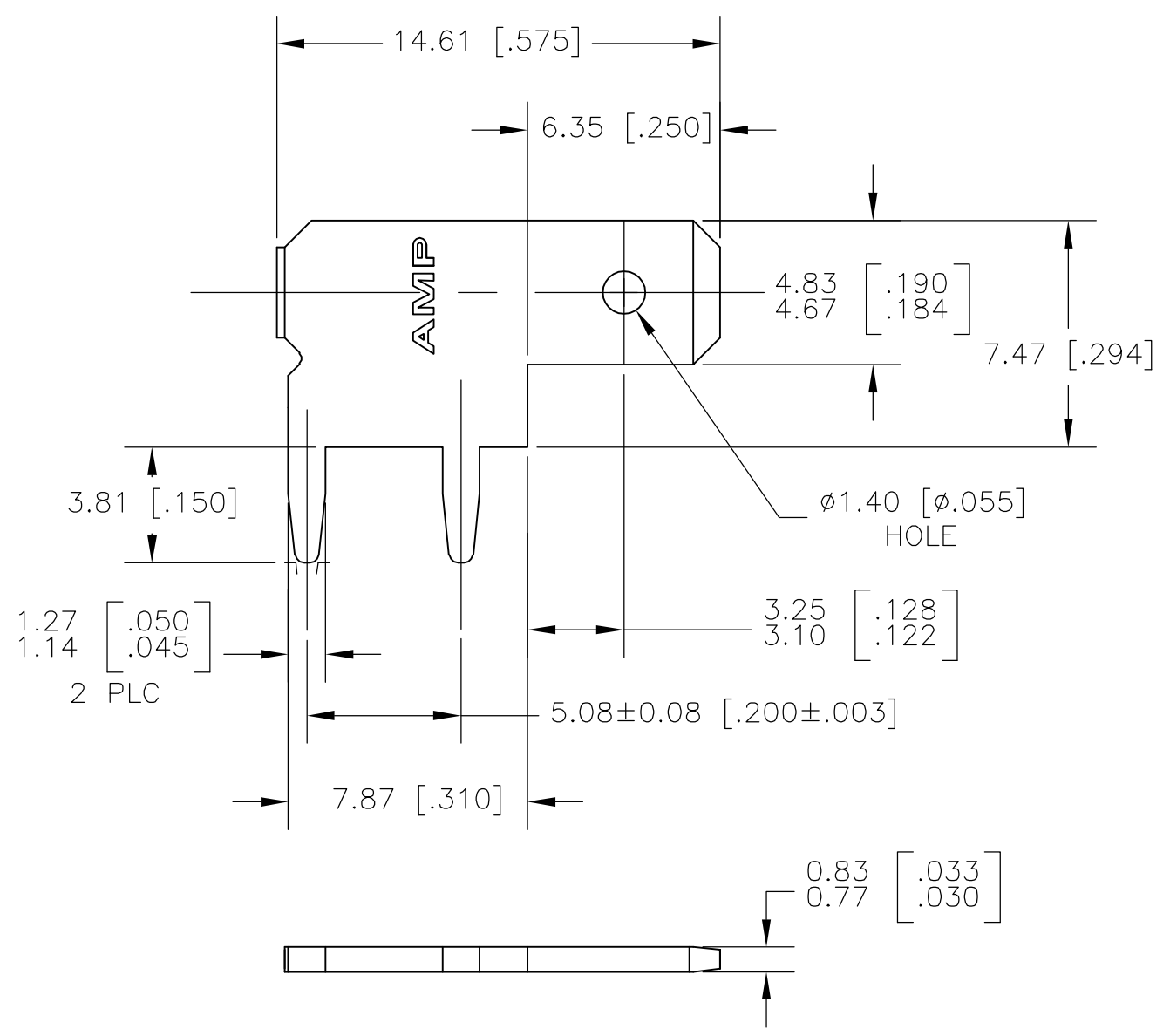
Email & Skype: info@chipsmall.com Web: www.chipsmall.com

Address: A1208, Overseas Decoration Building, #122 Zhenhua RD., Futian, Shenzhen, China

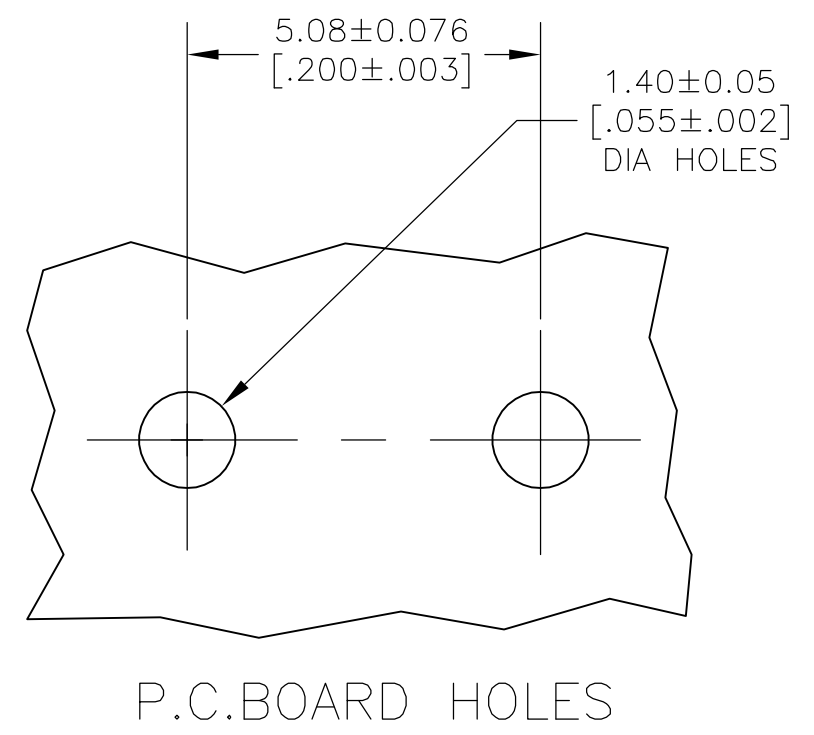


THIS DRAWING IS UNPUBLISHED. RELEASED FOR PUBLICATION --  
 © COPYRIGHT BY TYCO ELECTRONICS CORPORATION. ALL RIGHTS RESERVED.

LOC	DIST	REVISIONS					
AF	50	P	LTR	DESCRIPTION	DATE	DWN	APVD
			C	REV PER ECR-05-017407	12APR06	HMR	KR



1 SUPPLIED IN LOOSE PIECE AFTER PLATING.  
 2 0.00381 [0.000150] MIN TIN OVER  
 0.00127 [0.000050] MIN NICKEL.



1217756-1  
 PART NO.

THIS DRAWING IS A CONTROLLED DOCUMENT.		DWN	JR RUTH	13NOV01		Tyco Electronics Corporation	
DIMENSIONS: mm [INCHES]		CHK	N DEIBERT	13NOV01		Harrisburg, PA 17105-3608	
		APVD	N DEIBERT	13NOV01		NAME	
TOLERANCES UNLESS OTHERWISE SPECIFIED:		PRODUCT SPEC			TAB, FASTON, 4.75 [.187] SERIES		
0 PLC ± - 1 PLC ± - 2 PLC ± 0.25 [.010] 3 PLC ± - 4 PLC ± - ANGLES ± -		APPLICATION SPEC			RESTRICTED TO		
MATERIAL		WEIGHT			SIZE	CAGE CODE	DRAWING NO
082 BRASS		-			A3	00779	C-1217756
FINISH		CUSTOMER DRAWING			SCALE	SHEET	REV
		-			5:1	1 of 1	C