



Chipsmall Limited consists of a professional team with an average of over 10 year of expertise in the distribution of electronic components. Based in Hongkong, we have already established firm and mutual-benefit business relationships with customers from,Europe,America and south Asia,supplying obsolete and hard-to-find components to meet their specific needs.

With the principle of "Quality Parts,Customers Priority,Honest Operation,and Considerate Service",our business mainly focus on the distribution of electronic components. Line cards we deal with include Microchip,ALPS,ROHM,Xilinx,Pulse,ON,Everlight and Freescale. Main products comprise IC,Modules,Potentiometer,IC Socket,Relay,Connector.Our parts cover such applications as commercial,industrial, and automotives areas.

We are looking forward to setting up business relationship with you and hope to provide you with the best service and solution. Let us make a better world for our industry!



## Contact us

Tel: +86-755-8981 8866 Fax: +86-755-8427 6832

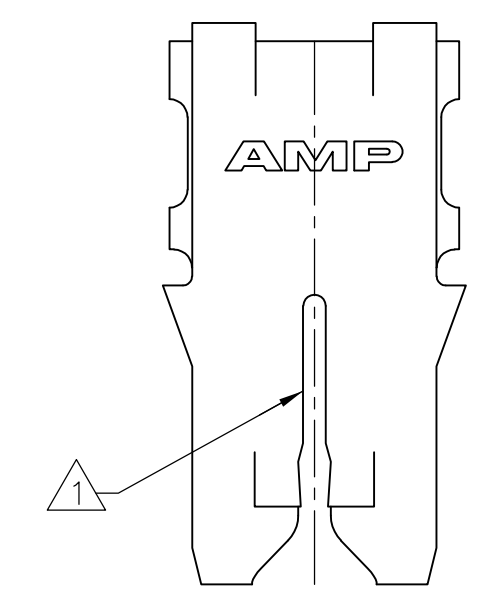
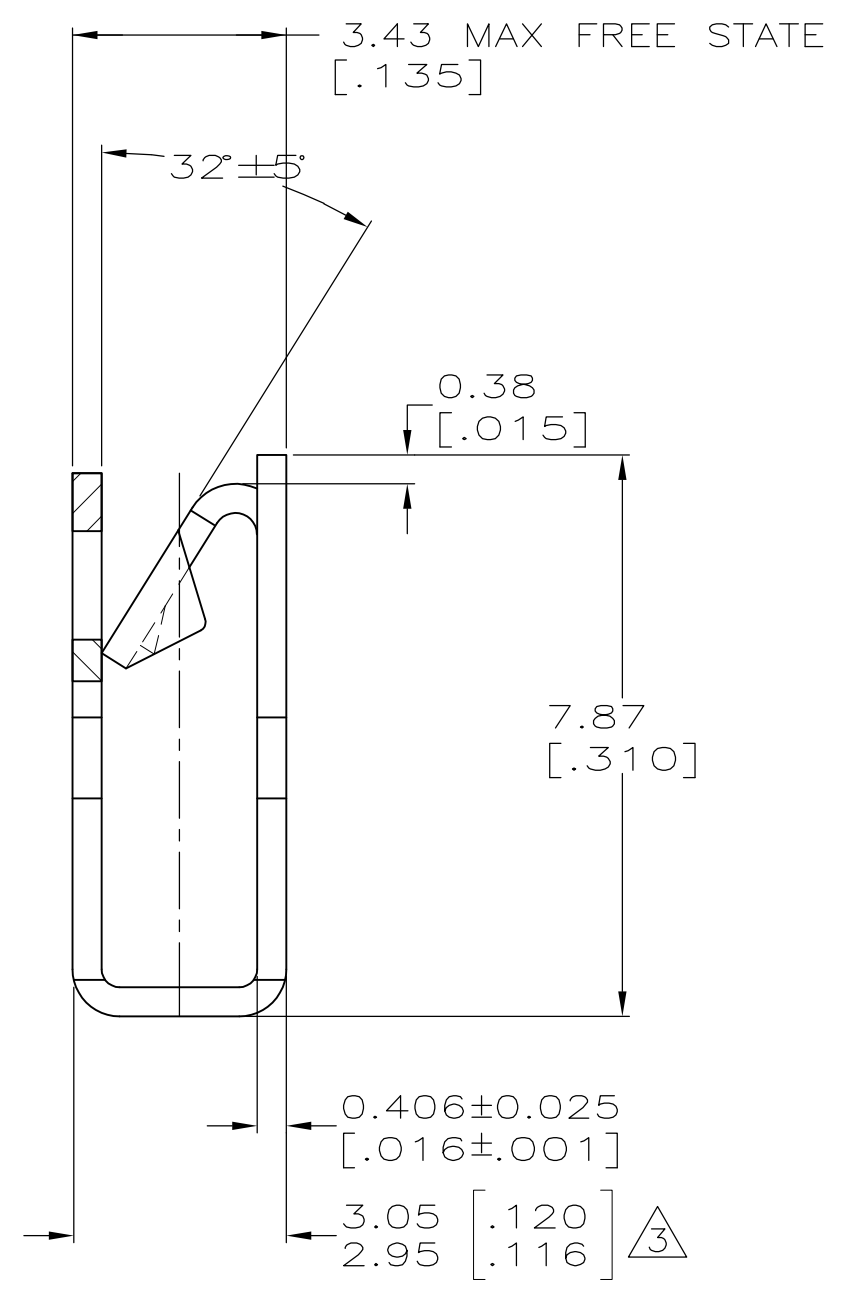
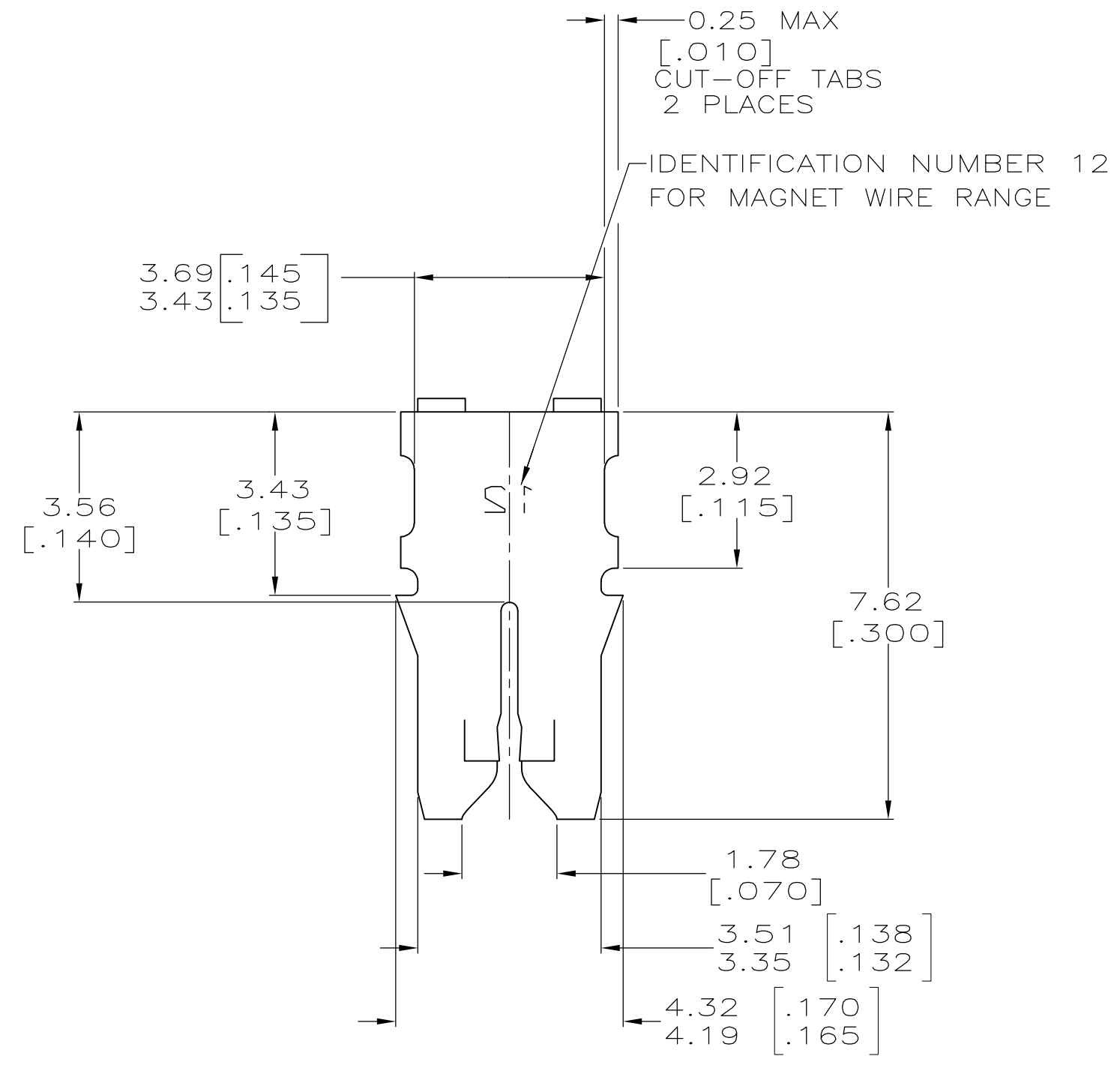
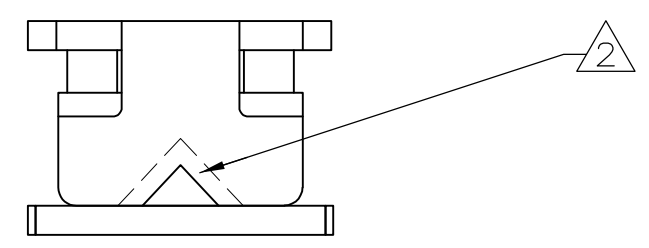
Email & Skype: info@chipsmall.com Web: www.chipsmall.com

Address: A1208, Overseas Decoration Building, #122 Zhenhua RD., Futian, Shenzhen, China



LOC	DIST	REVISIONS			
P	LTR	DESCRIPTION	DATE	DWN	APVD
AF	50	B1	REVISED PER ECR-12-022060	17FEB12	CX LL

- ① SLOT ACCEPTS 0.45-0.64mm [#25-#22] AWG COPPER MAGNET WIRE. 2 WIRES OF THE SAME SIZE PER SLOT EXCEPT 0.64mm [#22] AWG WHICH IS ONE WIRE ONLY
- ② POKE-IN ACCEPTS A 0.50-0.90mm<sup>2</sup> [#20-#18] AWG SOLID OR FUSED STRANDED LEAD WIRE
- ③ MEASURE WHEN FREE STATE IS COMPRESSED TO 2.95 [.116] MAX.



OBSOLETE	-1217757-1-
	PART NUMBER

THIS DRAWING IS A CONTROLLED DOCUMENT.		DWN	30NOV2001	AMP Incorporated Harrisburg, PA 17105-3608	NAME TERMINAL, POKE-IN, LOOSE PIECE, 300 SERIES MAG-MATE
DIMENSIONS:		CHK	30NOV2001		
mm[INCHES]		APVD	30NOV2001		
TOLERANCES UNLESS OTHERWISE SPECIFIED:		KURT A. RANDOLPH			
0 PLC	±-	KURT A. RANDOLPH		PRODUCT SPEC	108-2012
1 PLC	±-			APPLICATION SPEC	114-2046
2 PLC	±-			SIZE	A2
3 PLC	±0.25 [.010]			CAGE CODE	00779
4 PLC	±-			DRAWING NO	1217757
ANGLES	±-			RESTRICTED TO	-
MATERIAL	4M BRASS	FINISH	0.002032[.000080]	WEIGHT	-
		MIN TIN PLATE		CUSTOMER DRAWING	
				SCALE	10:1
				SHEET	1 OF 1
				REV	B1