



Chipsmall Limited consists of a professional team with an average of over 10 year of expertise in the distribution of electronic components. Based in Hongkong, we have already established firm and mutual-benefit business relationships with customers from,Europe,America and south Asia,supplying obsolete and hard-to-find components to meet their specific needs.

With the principle of “Quality Parts,Customers Priority,Honest Operation,and Considerate Service”,our business mainly focus on the distribution of electronic components. Line cards we deal with include Microchip,ALPS,ROHM,Xilinx,Pulse,ON,Everlight and Freescale. Main products comprise IC,Modules,Potentiometer,IC Socket,Relay,Connector.Our parts cover such applications as commercial,industrial, and automotives areas.

We are looking forward to setting up business relationship with you and hope to provide you with the best service and solution. Let us make a better world for our industry!



Contact us

Tel: +86-755-8981 8866 Fax: +86-755-8427 6832

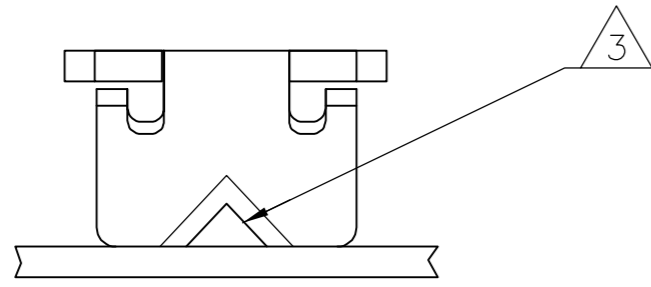
Email & Skype: info@chipsmall.com Web: www.chipsmall.com

Address: A1208, Overseas Decoration Building, #122 Zhenhua RD., Futian, Shenzhen, China

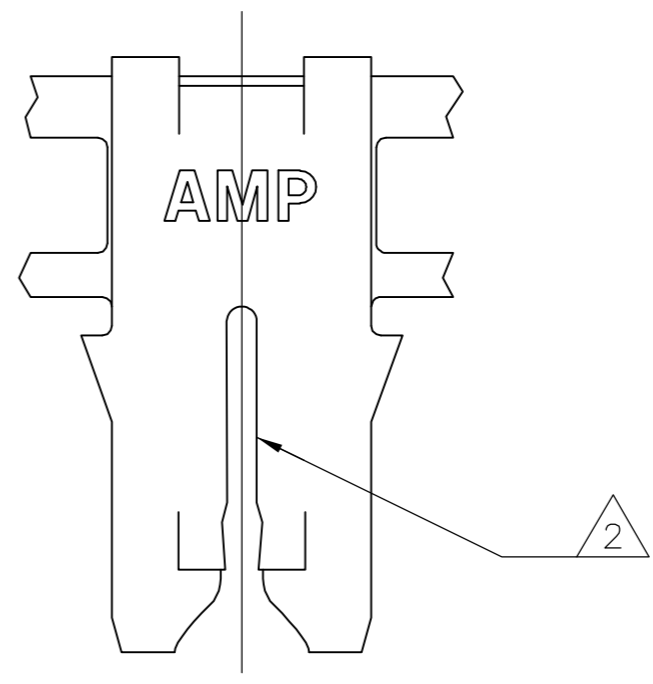
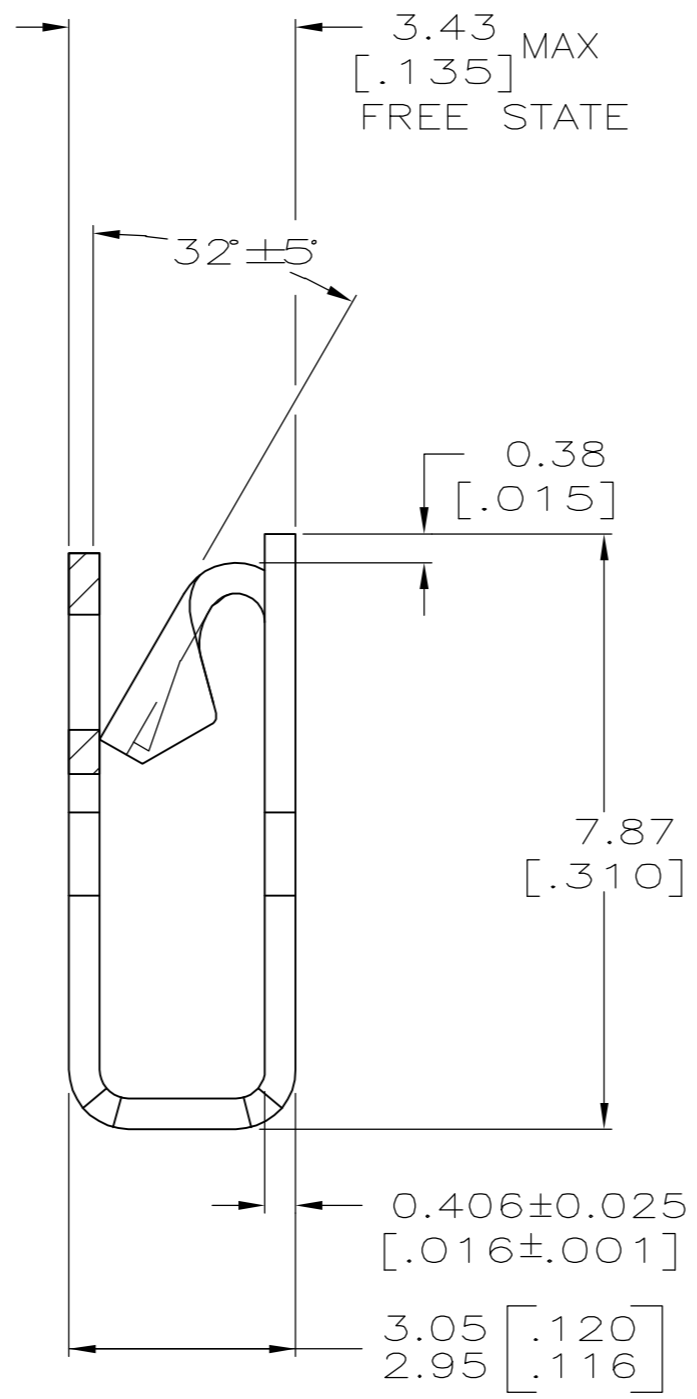
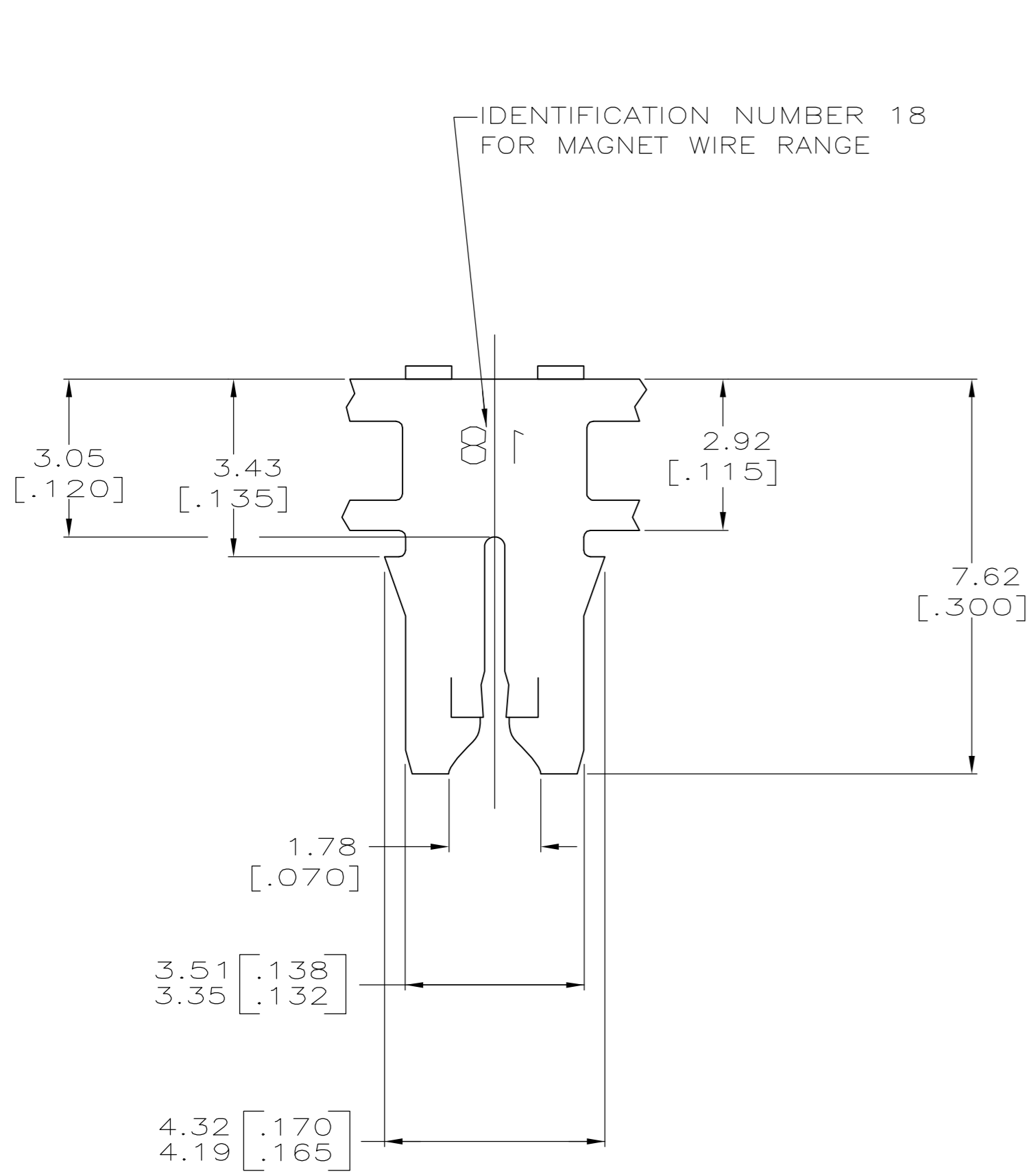


THIS DRAWING IS UNPUBLISHED. RELEASED FOR PUBLICATION
 © COPYRIGHT BY TYCO ELECTRONICS CORPORATION. ALL RIGHTS RESERVED.

LOC	DIST	REVISIONS			
P	LTR	DESCRIPTION	DATE	DWN	APVD
AF	50	C1	REVISED PER ECR-07-001777	01FEB07	HMR KR



- 1 CONTINUOUS STRIP ON REELS WITH TERMINALS LOCATED ON 5.59±0.08 [.220±.003] CENTERS.
- 2 SLOT TERMINATES EITHER A SINGLE OR DOUBLE MAGNET WIRE OF THE SAME SIZE AND TYPE. COPPER RANGE: 0.64-0.81mm [#22-#20] AWG.
- 3 POKE-IN ACCEPTS A 0.81-1.02mm² [#20-#18] AWG SOLID OR FUSED STRANDED LEAD WIRE.
- 4 SPECIAL CAVITY ANVIL HEIGHT REQUIRED 3.30±0.07 [.130±.003]. REFERENCE APPLICATION SPEC 114-2046, SEC 3.2, NOTE 7.



STANDARD		PAPER	CARDBOARD REEL	4 1217824-1
REELING DIRECTION		SPLICE	REELING MATERIAL	PART NUMBER
THIS DRAWING IS A CONTROLLED DOCUMENT.		DWN 18JUL2002 MICHAEL S. FEHER	Tyco Electronics Corporation Harrisburg, Pa 17105-3608	
DIMENSIONS: mm [INCHES]		CHK 18JUL2002 KURT A. RANDOLPH	NAME TERMINAL, POKE-IN, 300 SERIES MAG-MATE™	
TOLERANCES UNLESS OTHERWISE SPECIFIED:		APVD 18JUL2002 KURT A. RANDOLPH	PRODUCT SPEC 108-2012	
0 PLC ± -		APPLICATION SPEC 114-2046 4		
1 PLC ± -		SIZE A2		
2 PLC ± 0.25[.010]		CAGE CODE 00779		
3 PLC ± -		DRAWING NO C=1217824		
4 PLC ± -		RESTRICTED TO -		
ANGLES ± -		SCALE 10:1		
FINISH 0.002032[.000080] MIN TIN PLATE		SHEET 1 OF 1		
MATERIAL 4M BRASS		REV C1		
CUSTOMER DRAWING				

1217824