



Chipsmall Limited consists of a professional team with an average of over 10 year of expertise in the distribution of electronic components. Based in Hongkong, we have already established firm and mutual-benefit business relationships with customers from,Europe,America and south Asia,supplying obsolete and hard-to-find components to meet their specific needs.

With the principle of “Quality Parts,Customers Priority,Honest Operation,and Considerate Service”,our business mainly focus on the distribution of electronic components. Line cards we deal with include Microchip,ALPS,ROHM,Xilinx,Pulse,ON,Everlight and Freescale. Main products comprise IC,Modules,Potentiometer,IC Socket,Relay,Connector.Our parts cover such applications as commercial,industrial, and automotives areas.

We are looking forward to setting up business relationship with you and hope to provide you with the best service and solution. Let us make a better world for our industry!



Contact us

Tel: +86-755-8981 8866 Fax: +86-755-8427 6832

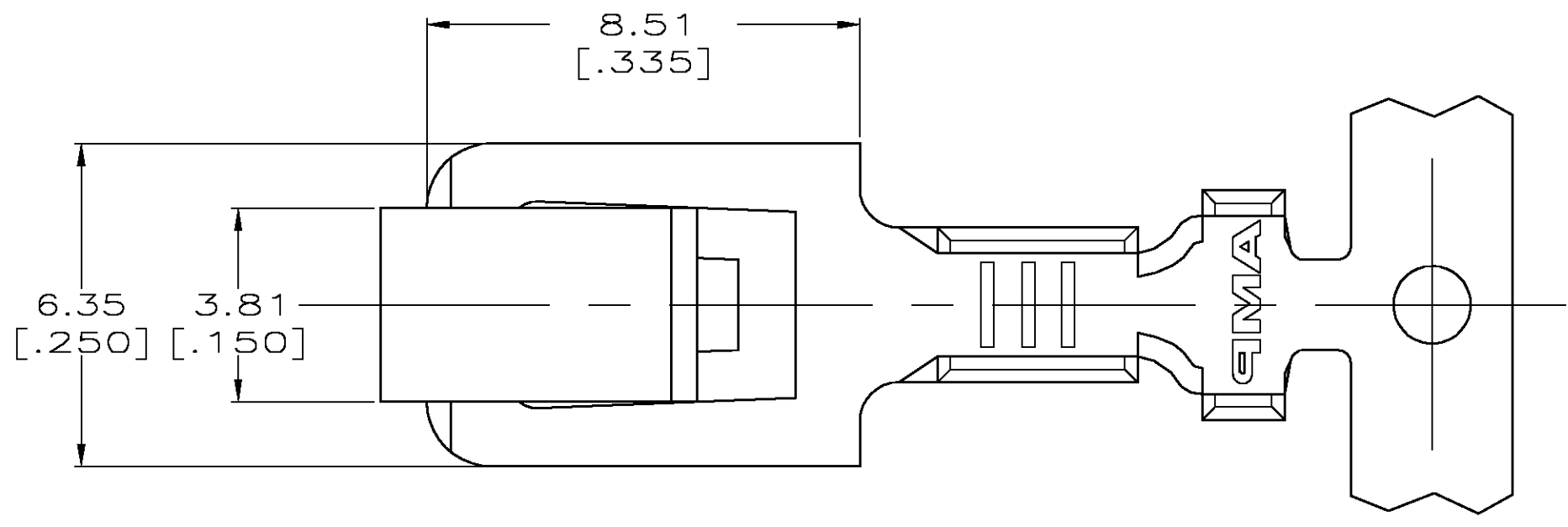
Email & Skype: info@chipsmall.com Web: www.chipsmall.com

Address: A1208, Overseas Decoration Building, #122 Zhenhua RD., Futian, Shenzhen, China

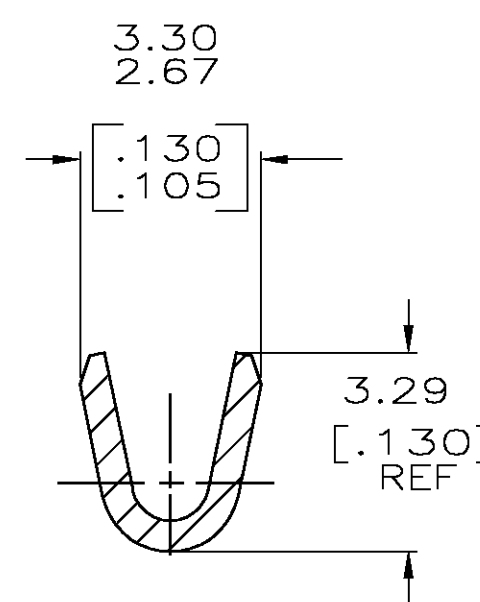
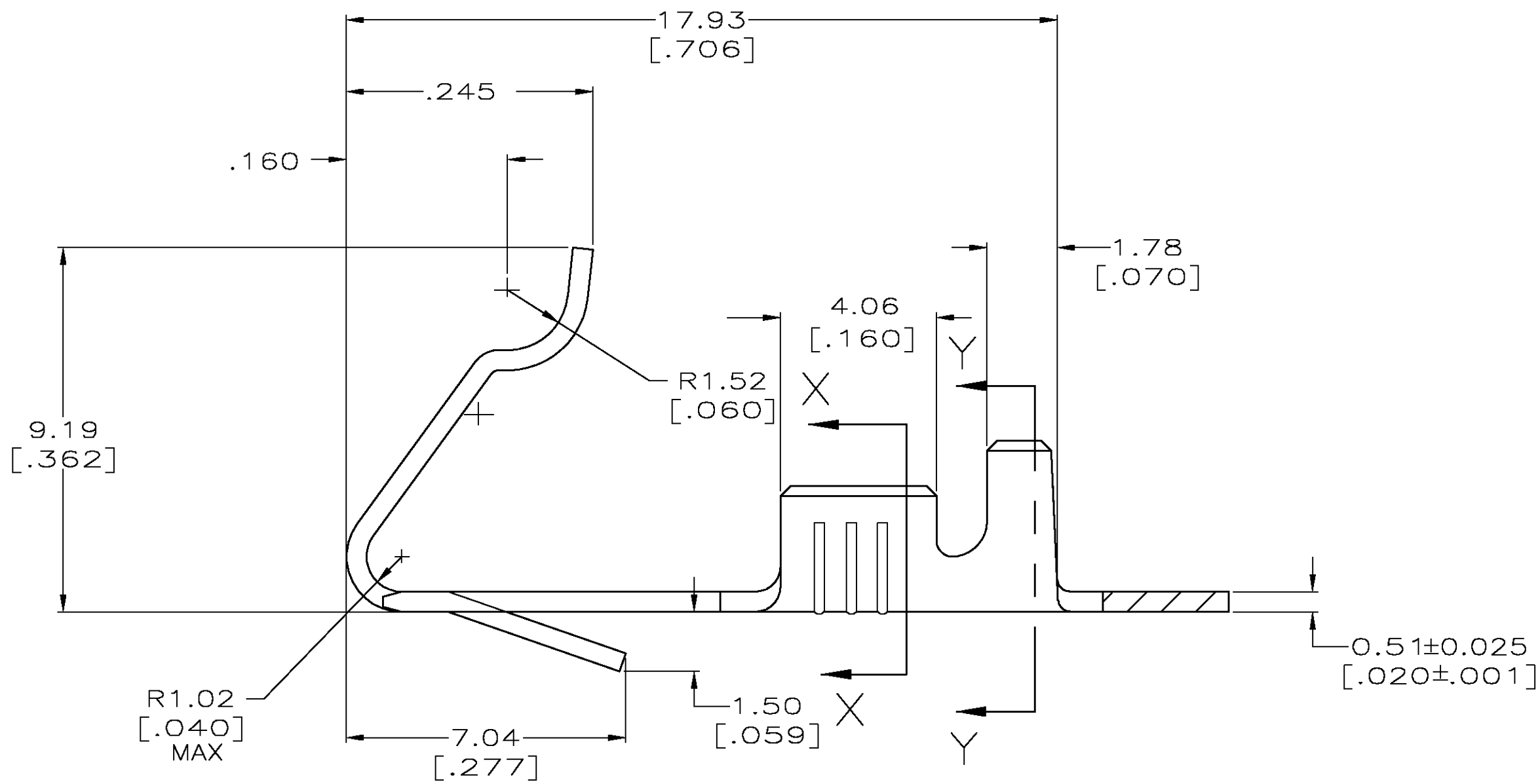


THIS DRAWING IS UNPUBLISHED. RELEASED FOR PUBLICATION
 © COPYRIGHT BY TYCO ELECTRONICS CORPORATION. ALL RIGHTS RESERVED.

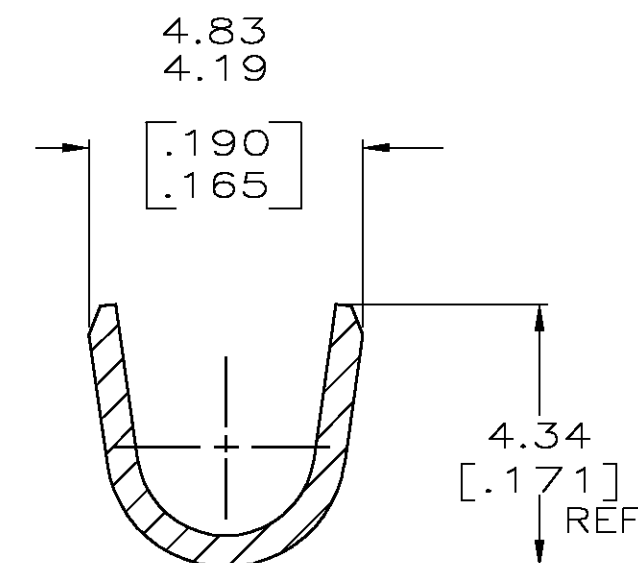
LOC		DIST		REVISIONS			
P	LTR	DESCRIPTION	DATE	DWN	APVD		
AF	50	C	REVISED PER 0G3A-0252-04	05APR04	MF	DD	



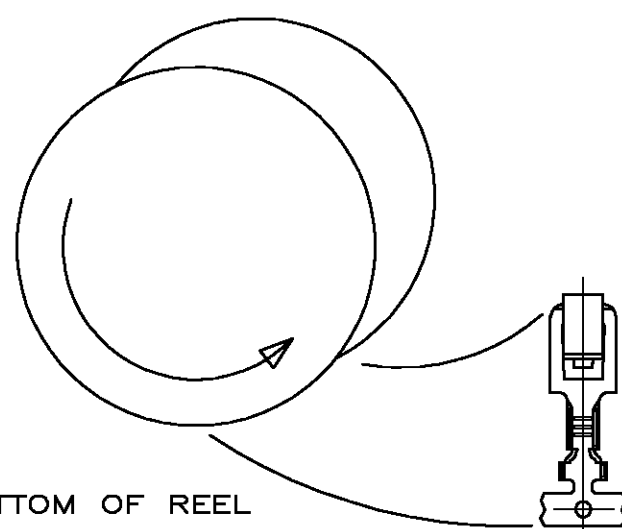
- 1 CONTINUOUS STRIP ON REELS
- 2 WIRE SIZE IS [#20-#16] AWG.
- 3 INSULATION RANGE IS 3.30 [.130] MAX
- ⚠ PRELIMINARY - NOT FOR PRODUCTION.



SECTION X-X



SECTION Y-Y



TERMINALS OFF BOTTOM OF REEL
 FOR -2 ONLY

DETAIL D

THIS DRAWING IS A CONTROLLED DOCUMENT.		DWN MICHAEL S. FEHER 30APR2002	SEE DETAIL D		⚠ 1217825-2
DIMENSIONS: mm		CHK DONALD DECKER 30APR2002	STANDARD		1217825-1
TOLERANCES UNLESS OTHERWISE SPECIFIED: 0 PLC ± - 1 PLC ± - 2 PLC ± 0.25 [.010] 3 PLC ± - 4 PLC ± - ANGLES ± -		APVD DONALD DECKER 30APR2002	REELING		PART NUMBER
MATERIAL H04 BRASS		FINISH 0.002032 [.000080] MIN TIN PLATE	NAME FLUORESCENT TUBE SOCKET TERMINAL		
WEIGHT -		SCALE 8:1	CAGE CODE 00779	DRAWING NO C=1217825	RESTRICTED TO -
CUSTOMER DRAWING		SHEET 1 OF 1		REV C	