



Chipsmall Limited consists of a professional team with an average of over 10 year of expertise in the distribution of electronic components. Based in Hongkong, we have already established firm and mutual-benefit business relationships with customers from,Europe,America and south Asia,supplying obsolete and hard-to-find components to meet their specific needs.

With the principle of “Quality Parts,Customers Priority,Honest Operation,and Considerate Service”,our business mainly focus on the distribution of electronic components. Line cards we deal with include Microchip,ALPS,ROHM,Xilinx,Pulse,ON,Everlight and Freescale. Main products comprise IC,Modules,Potentiometer,IC Socket,Relay,Connector.Our parts cover such applications as commercial,industrial, and automotives areas.

We are looking forward to setting up business relationship with you and hope to provide you with the best service and solution. Let us make a better world for our industry!



Contact us

Tel: +86-755-8981 8866 Fax: +86-755-8427 6832

Email & Skype: info@chipsmall.com Web: www.chipsmall.com

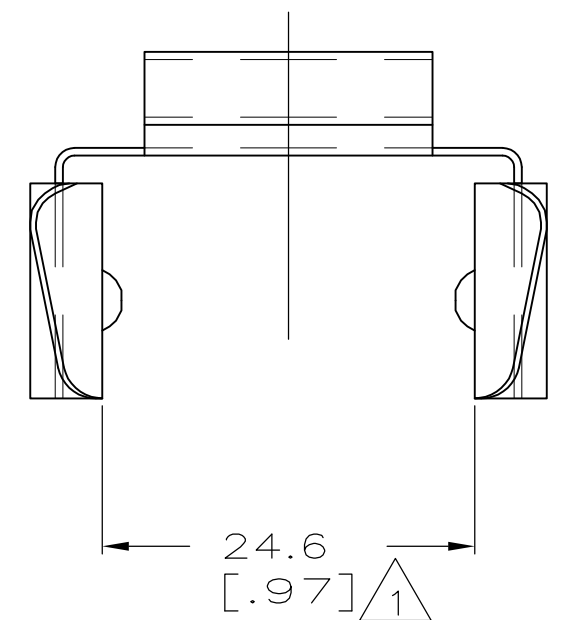
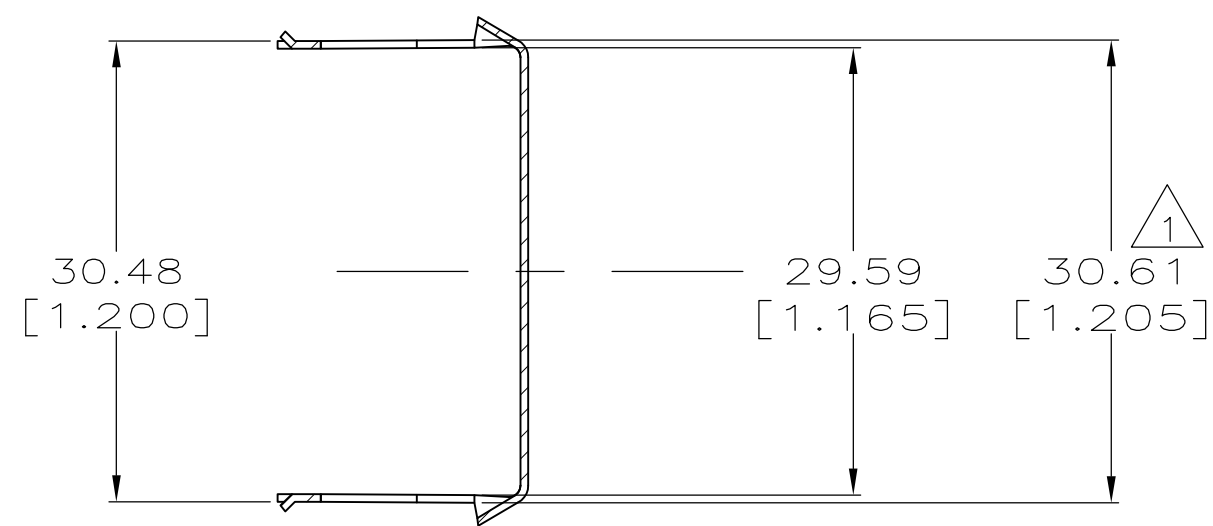
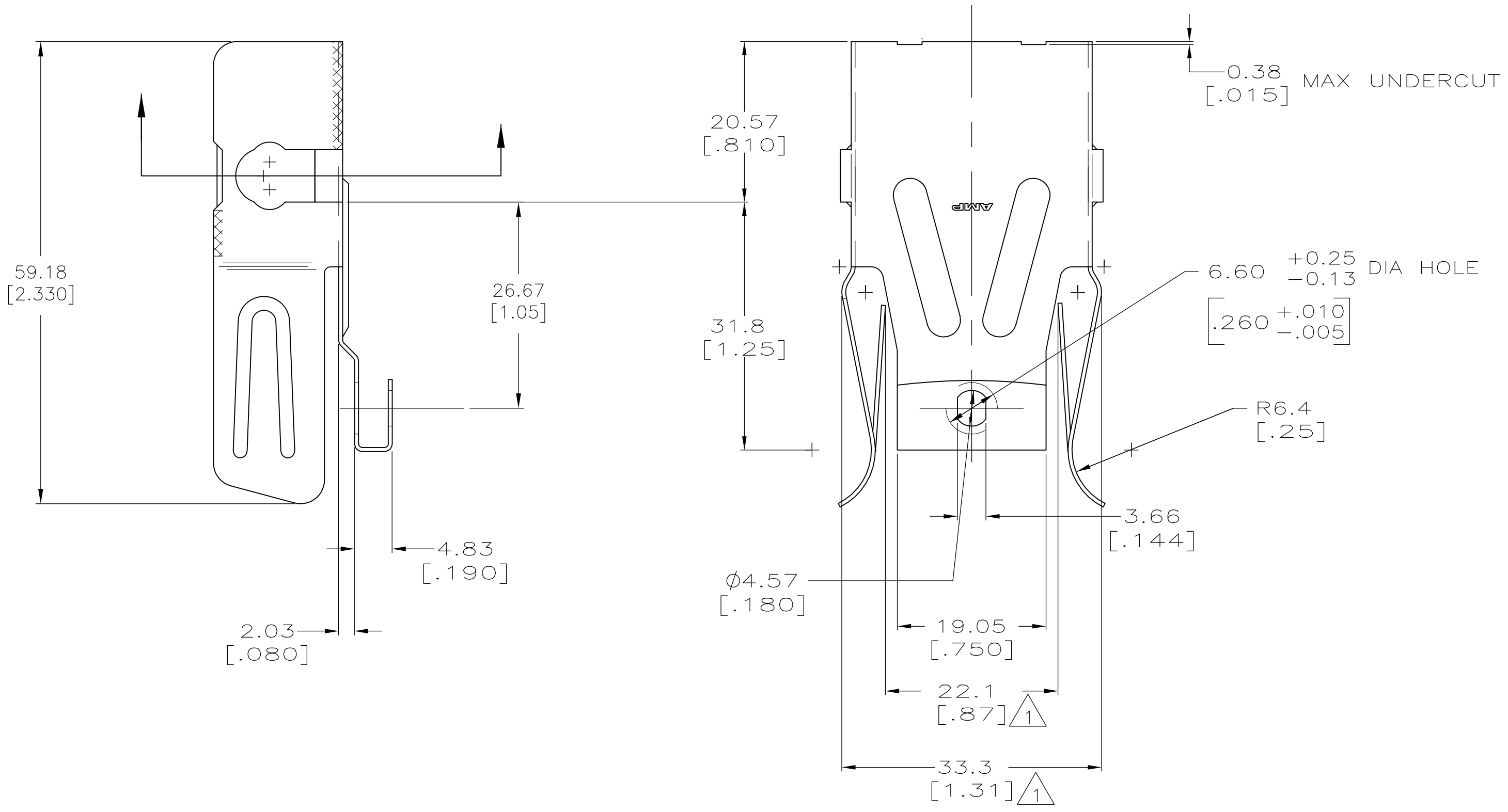
Address: A1208, Overseas Decoration Building, #122 Zhenhua RD., Futian, Shenzhen, China



THIS DRAWING IS UNPUBLISHED. RELEASED FOR PUBLICATION
 © COPYRIGHT BY TYCO ELECTRONICS CORPORATION. ALL RIGHTS RESERVED.

LOC		DIST		REVISIONS			
P	LTR	DESCRIPTION		DATE	DWN	APVD	
AF	50	F1	REVISED PER ECR-08-006534	04APR08	HMR	GJ	

1 DIMENSION TO BE CHECKED WHEN SIDES ARE PARRALLEL WITH [1.215] DIM.



1217841-1
PART NO.

THIS DRAWING IS A CONTROLLED DOCUMENT.		DWN MICHAEL S. FEHER 06JUN2002	Tyco Electronics Corporation Harrisburg, PA 17105-3608	
DIMENSIONS: mm		CHK DONALD DECKER 06JUN2002	NAME CLIP, CONNECTOR, HEAVY DUTY BURNER	
TOLERANCES UNLESS OTHERWISE SPECIFIED: 0 PLC ± - 1 PLC ± - 2 PLC ± 0.8 [.03] 3 PLC ± 0.25 [.010] 4 PLC ± - ANGLES ± -		APVD DONALD DECKER 06JUN2002	PRODUCT SPEC -	RESTRICTED TO -
MATERIAL 1/4 HARD STAINLESS		FINISH -	APPLICATION SPEC 114-1028	SIZE A2
		WEIGHT -	CAGE CODE 00779	DRAWING NO 1217841
		CUSTOMER DRAWING	SCALE 2:1	SHEET 1 of 1
			REV F1	