



Chipsmall Limited consists of a professional team with an average of over 10 year of expertise in the distribution of electronic components. Based in Hongkong, we have already established firm and mutual-benefit business relationships with customers from,Europe,America and south Asia,supplying obsolete and hard-to-find components to meet their specific needs.

With the principle of “Quality Parts,Customers Priority,Honest Operation,and Considerate Service”,our business mainly focus on the distribution of electronic components. Line cards we deal with include Microchip,ALPS,ROHM,Xilinx,Pulse,ON,Everlight and Freescale. Main products comprise IC,Modules,Potentiometer,IC Socket,Relay,Connector.Our parts cover such applications as commercial,industrial, and automotives areas.

We are looking forward to setting up business relationship with you and hope to provide you with the best service and solution. Let us make a better world for our industry!



Contact us

Tel: +86-755-8981 8866 Fax: +86-755-8427 6832

Email & Skype: info@chipsmall.com Web: www.chipsmall.com

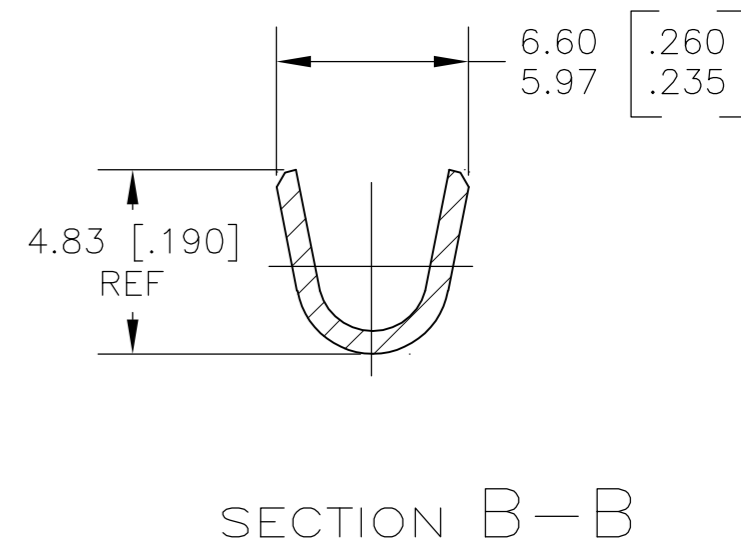
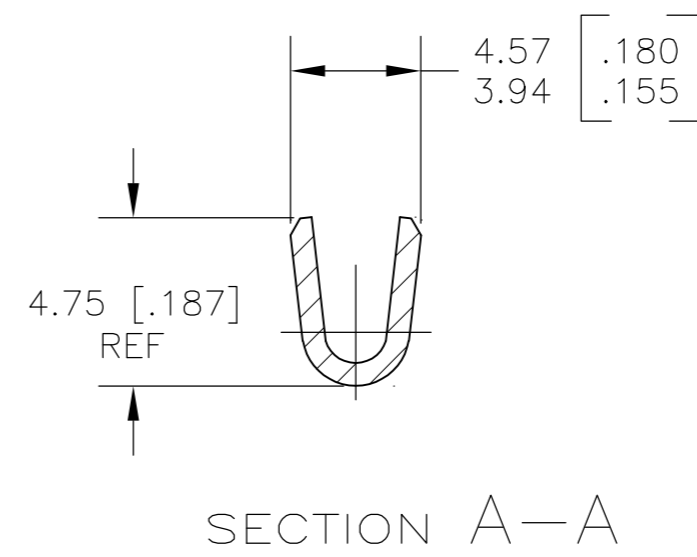
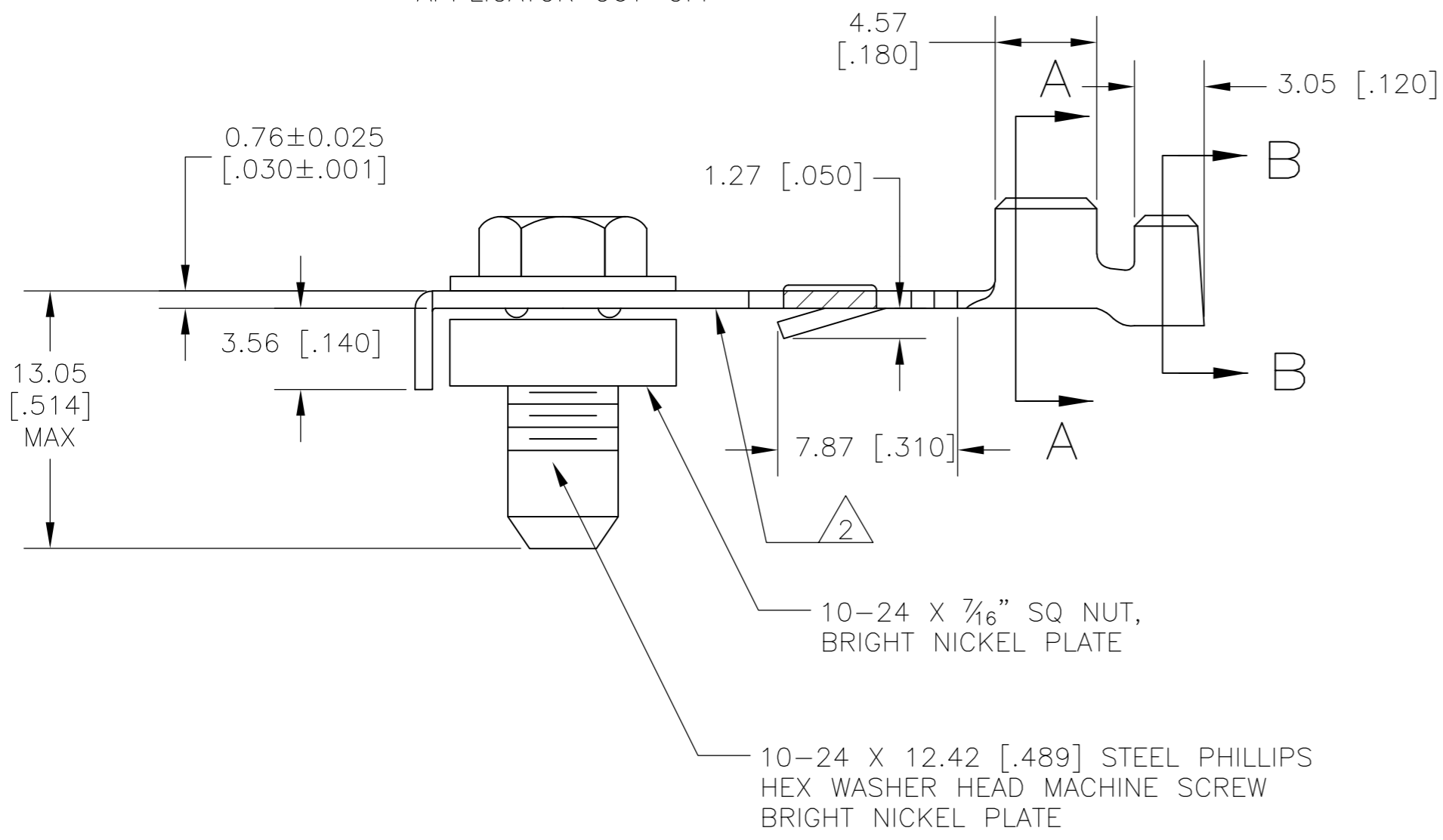
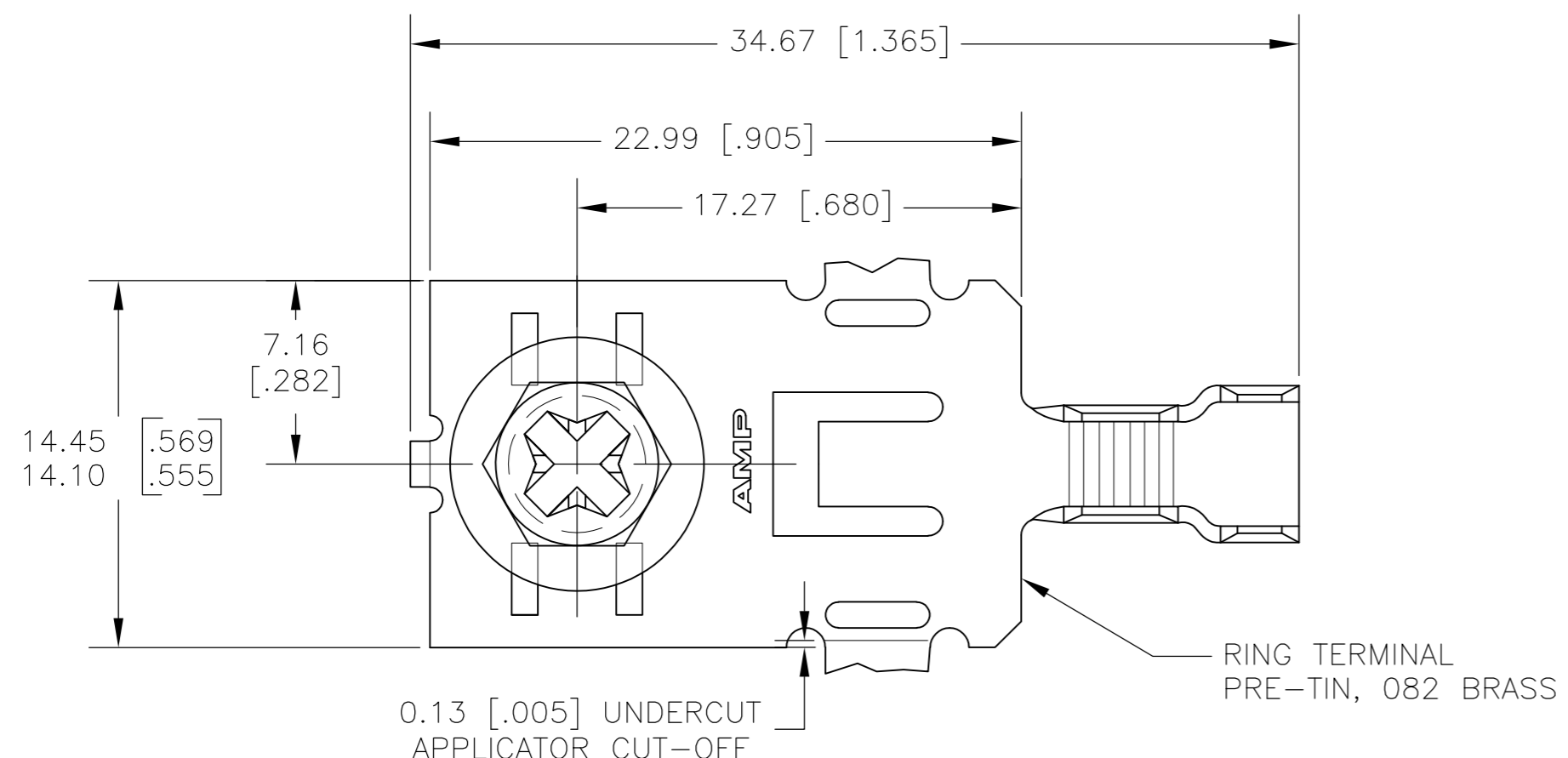
Address: A1208, Overseas Decoration Building, #122 Zhenhua RD., Futian, Shenzhen, China



THIS DRAWING IS UNPUBLISHED. RELEASED FOR PUBLICATION
 © COPYRIGHT - By - ALL RIGHTS RESERVED.

LOC	DIST	REVISIONS			
P	LTR	DESCRIPTION	DATE	DWN	APVD
AF	50	C1	REVISED PER ECR-11-025318	20DEC11	KH GJ

- 1 CONTINUOUS STRIP ON REELS.
- 2 VERTICAL BURRS NOT TO EXCEED 0.13 [.005] ALONG THIS EDGE.
- 3 BACK OUT TORQUE OF SCREW TO BE A MIN OF 5 INCH LBS AND A MAX OF 25 INCH LBS.
- 4 REFERENCE APPLICATOR LOG SHEET FOR CRIMP INFORMATION.



2.54-3.56 [.100-.140] DIA	18-14 AWG	1217851-1
INSULATION RANGE	WIRE RANGE	PART NUMBER

THIS DRAWING IS A CONTROLLED DOCUMENT.		DWN 18JUL2002 MICHAEL S. FEHER	TE TE Connectivity	
DIMENSIONS: MM [INCHES]		CHK 18JUL2002 DONALD F. DECKER		
TOLERANCES UNLESS OTHERWISE SPECIFIED:		APVD 18JUL2002 DONALD F. DECKER	NAME	
0 PLC ± -		PRODUCT SPEC	SUB-ASSEMBLY, POWER RING	
1 PLC ± -		108-1191	-	
2 PLC ± 0.38 [.015]		APPLICATION SPEC	SIZE	CAGE CODE
3 PLC ± -		114-2087	A2	00779
4 PLC ± -		WEIGHT	DRAWING NO	
ANGLES ± -		-	C=1217851	
MATERIAL SEE CALL-OUTS		FINISH SEE CALL-OUTS	SCALE	SHEET
			4:1	1 of 1
		CUSTOMER DRAWING	REV	C1

1217851