



Chipsmall Limited consists of a professional team with an average of over 10 year of expertise in the distribution of electronic components. Based in Hongkong, we have already established firm and mutual-benefit business relationships with customers from,Europe,America and south Asia,supplying obsolete and hard-to-find components to meet their specific needs.

With the principle of “Quality Parts,Customers Priority,Honest Operation,and Considerate Service”,our business mainly focus on the distribution of electronic components. Line cards we deal with include Microchip,ALPS,ROHM,Xilinx,Pulse,ON,Everlight and Freescale. Main products comprise IC,Modules,Potentiometer,IC Socket,Relay,Connector.Our parts cover such applications as commercial,industrial, and automotives areas.

We are looking forward to setting up business relationship with you and hope to provide you with the best service and solution. Let us make a better world for our industry!



Contact us

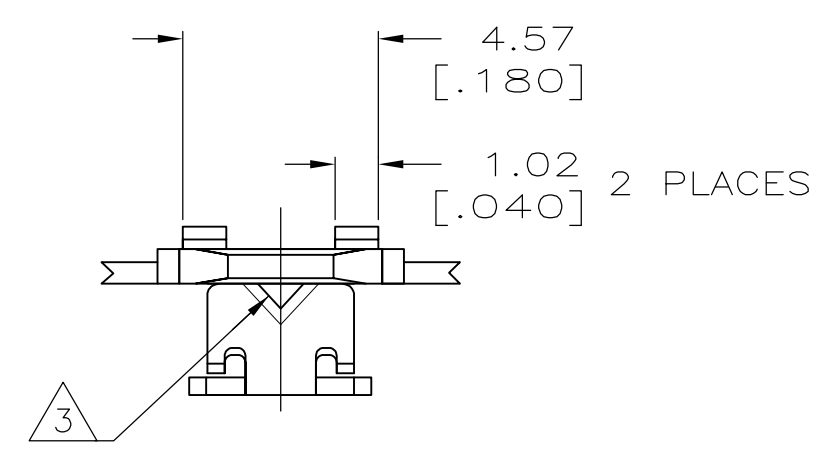
Tel: +86-755-8981 8866 Fax: +86-755-8427 6832

Email & Skype: info@chipsmall.com Web: www.chipsmall.com

Address: A1208, Overseas Decoration Building, #122 Zhenhua RD., Futian, Shenzhen, China

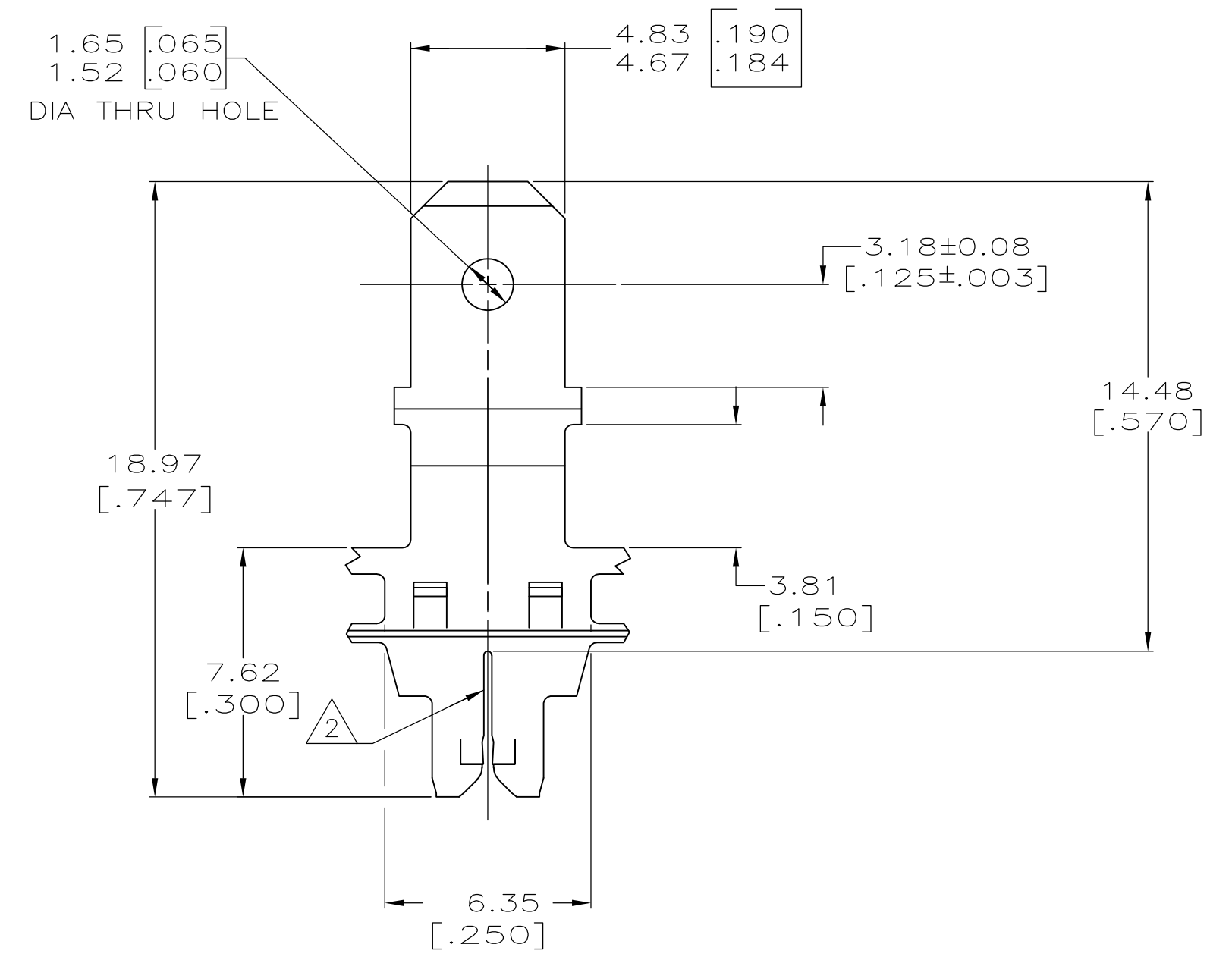
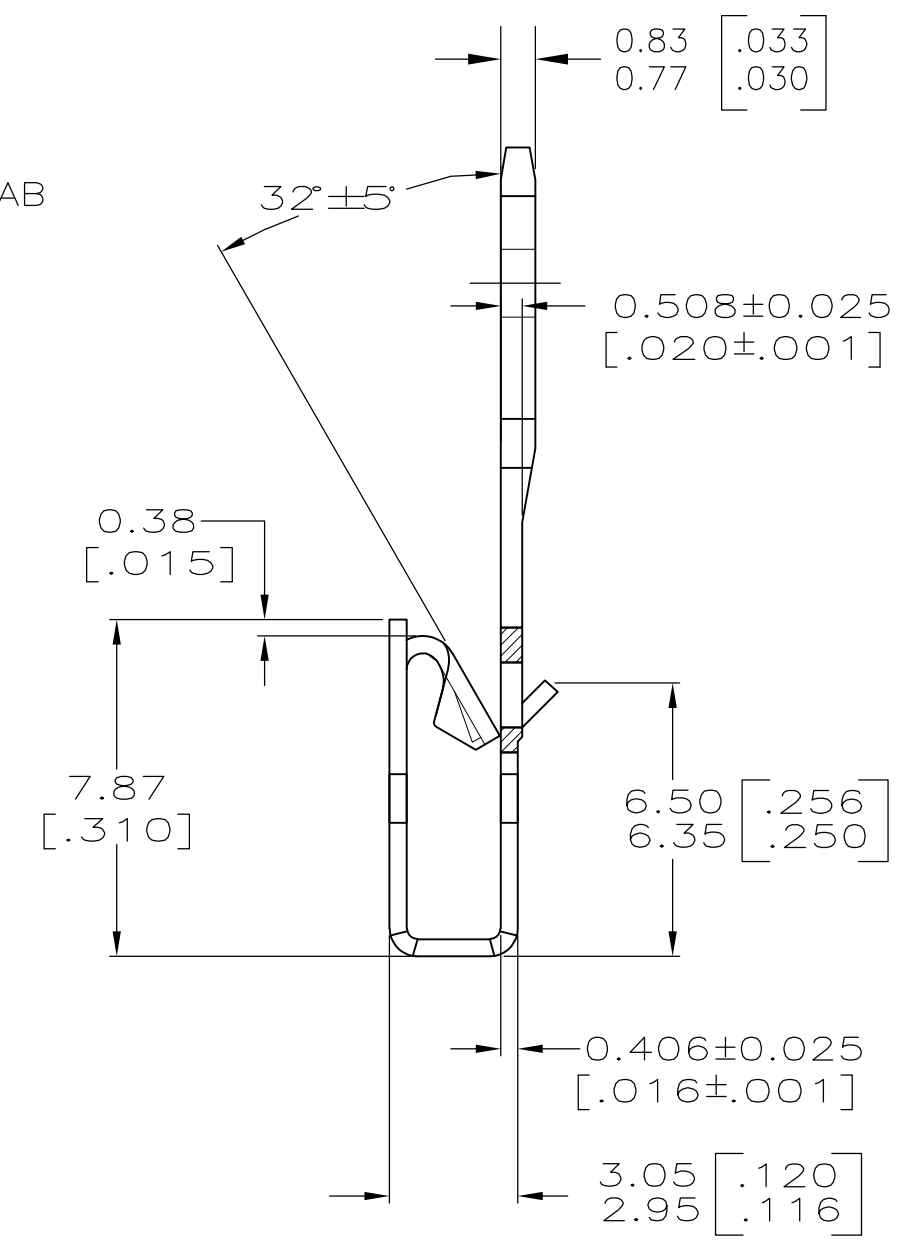
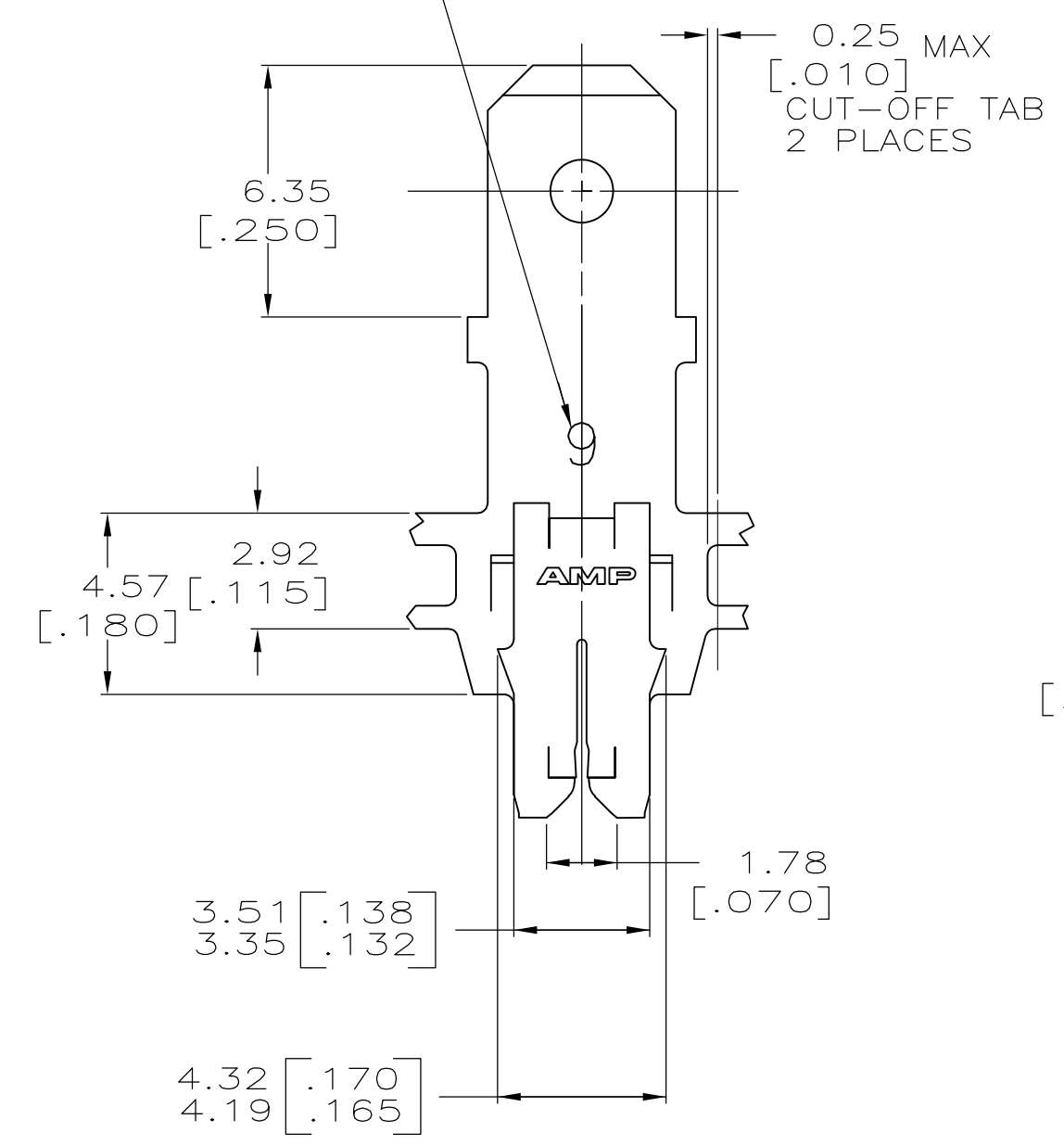


LOC	DIST	REVISIONS			
P	LTR	DESCRIPTION	DATE	OWN	APVD
AF	50	C1	REVISED PER ECR-12-022060	17FEB13	CX LL



- 1 CONTINUOUS STRIP ON REELS WITH TERMINALS LOCATED ON 8.38±0.08 [.330±.003] CENTERS.
- 2 SLOTS ACCEPT EITHER A SINGLE OR DOUBLE MAGNET WIRE OF THE SAME SIZE AND TYPE. COPPER RANGE: 0.30-0.51mm [#28.5-#24] AWG.
- 3 POKE-IN ACCEPTS A 0.81-1.02mm² [#20-#18] AWG SOLID OR FUSED STRANDED LEAD WIRE.
- 4 PRELIMINARY - NOT FOR PRODUCTION.
- 5 PREPRODUCTION - FASR REQUIRED

IDENTIFICATION NUMBER 9 FOR MAGNET WIRE RANGE



	4M PRE-MILLED BRASS	4	1217857-2
OBSOLETE	082 PRE-MILLED BRASS	5	1217857-1
MATERIAL		PART NUMBER	

THIS DRAWING IS A CONTROLLED DOCUMENT.		DWN 23JUL2002 MICHAEL S. FEHER	Tyco Electronics Corporation Harrisburg, PA 17105-3608	
DIMENSIONS: mm [INCHES]		CHK 23JUL2002 KURT A. RANDOLPH	NAME KURT A. RANDOLPH	
TOLERANCES UNLESS OTHERWISE SPECIFIED:		APVD 23JUL2002 KURT A. RANDOLPH	PRODUCT SPEC 108-2012	
0 PLC ± -		APPLICATION SPEC 114-2094		
1 PLC ± -		SIZE CAGE CODE DRAWING NO A2 00779 G-1217857		
2 PLC ± 0.25[.010]		RESTRICTED TO		
3 PLC ± -		WEIGHT -		
4 PLC ± -		CUSTOMER DRAWING		
ANGLES ± - -		SCALE 6:1 SHEET 1 OF 1 REV C1		
FINISH 0.002032[.000080] MIN TIN PLATE				