



Chipsmall Limited consists of a professional team with an average of over 10 year of expertise in the distribution of electronic components. Based in Hongkong, we have already established firm and mutual-benefit business relationships with customers from,Europe,America and south Asia,supplying obsolete and hard-to-find components to meet their specific needs.

With the principle of "Quality Parts,Customers Priority,Honest Operation,and Considerate Service",our business mainly focus on the distribution of electronic components. Line cards we deal with include Microchip,ALPS,ROHM,Xilinx,Pulse,ON,Everlight and Freescale. Main products comprise IC,Modules,Potentiometer,IC Socket,Relay,Connector.Our parts cover such applications as commercial,industrial, and automotives areas.

We are looking forward to setting up business relationship with you and hope to provide you with the best service and solution. Let us make a better world for our industry!



Contact us

Tel: +86-755-8981 8866 Fax: +86-755-8427 6832

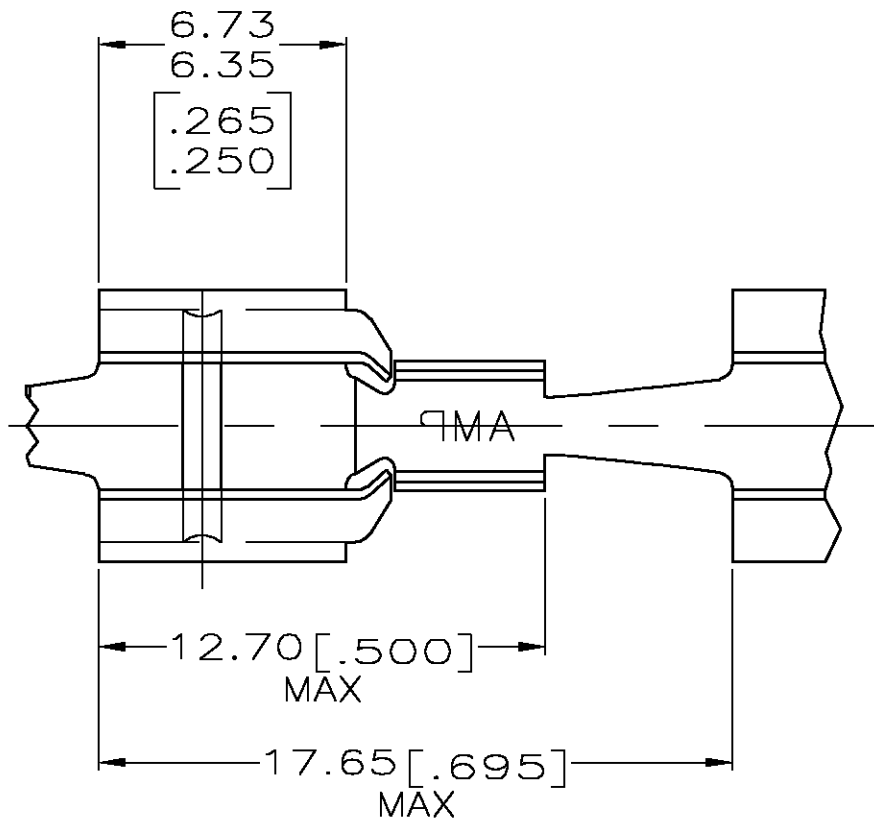
Email & Skype: info@chipsmall.com Web: www.chipsmall.com

Address: A1208, Overseas Decoration Building, #122 Zhenhua RD., Futian, Shenzhen, China

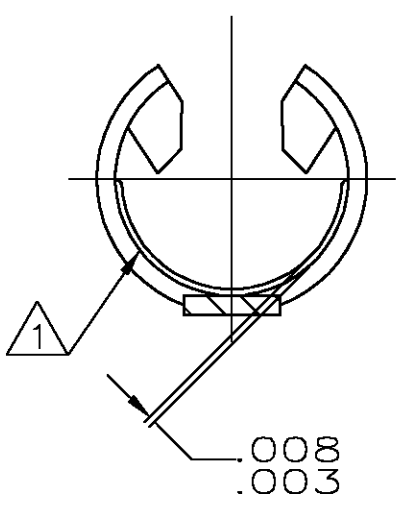
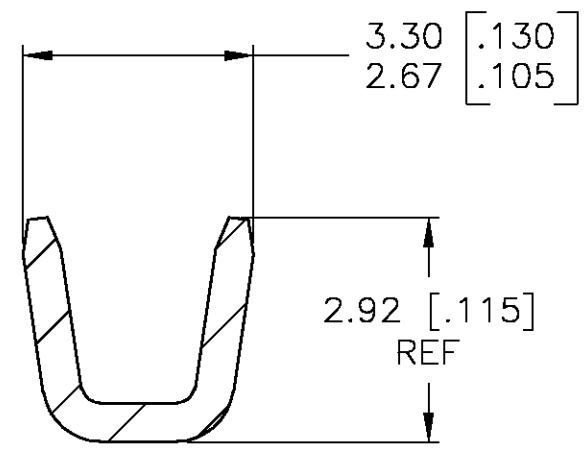
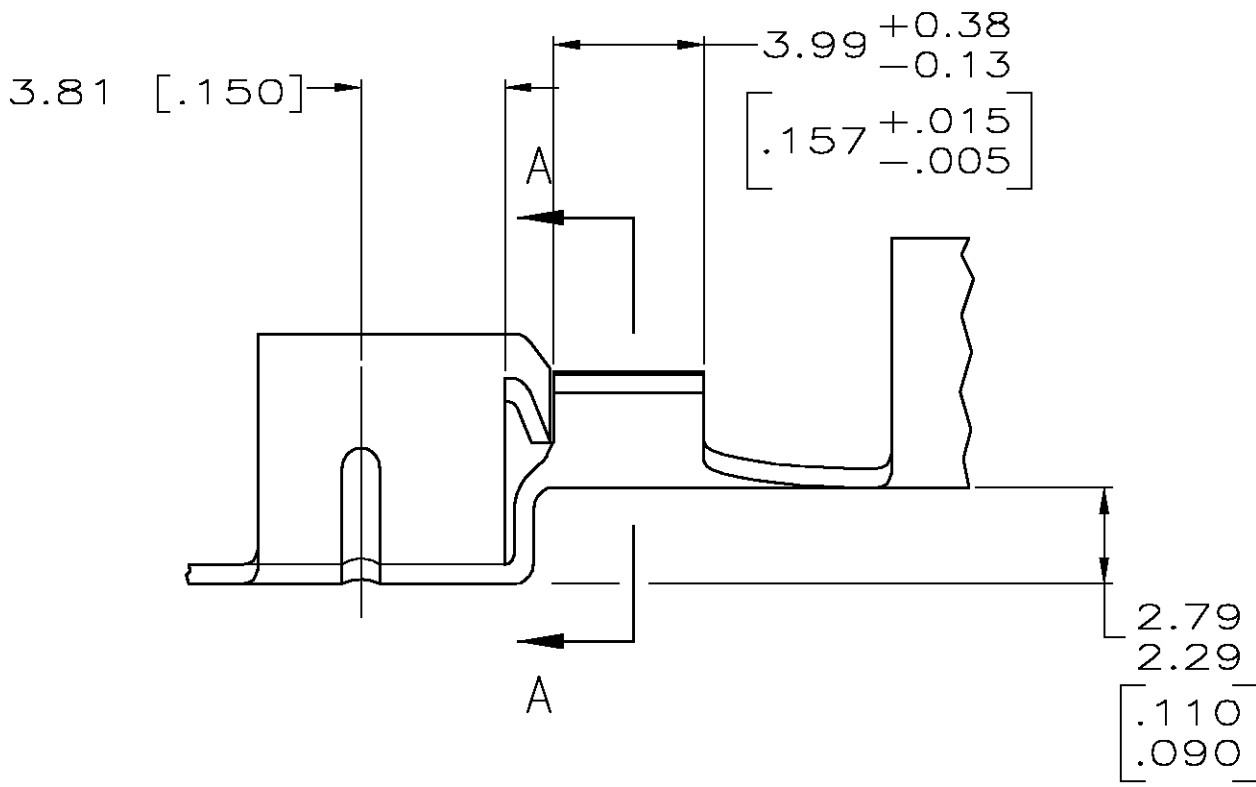


THIS DRAWING IS UNPUBLISHED. RELEASED FOR PUBLICATION
 © COPYRIGHT BY TYCO ELECTRONICS CORPORATION. ALL RIGHTS RESERVED.

LOC	DIST	REVISIONS					
AF	50	P	LTR	DESCRIPTION	DATE	DWN	APVD
			D	REV PER 0G3A-0399-04	07JUN04	JR	GP



- 1. FITS ON 6.27-6.43 [.247-.253] DIAMETER PIN.
- 2. WIRE RANGE: 0.3 - 0.9 mm² [22 - 18 AWG]
REF CRIMP INFO: 2.54 [.100] WIDTH, F TYPE
- 3. DIMENSIONS IN BRACKETS ARE IN INCHES.



1217881-1
PART NUMBER

THIS DRAWING IS A CONTROLLED DOCUMENT.		DWN	JR RUTH	03OCT02	Tyco Electronics Corporation Harrisburg, PA 17105		
DIMENSIONS: MM [INCHES]		CHK	G PORTA	03OCT02			
		APVD	G PORTA	03OCT02	.250 FUSE RECEPTACLE		
TOLERANCES UNLESS OTHERWISE SPECIFIED: 0 PLC ± - 1 PLC ± - 2 PLC ± 0.13[.005] 3 PLC ± - 4 PLC ± - ANGLES ± 30°		PRODUCT SPEC	-			SIZE	A3
MATERIAL		APPLICATION SPEC	-			CAGE CODE	00779
0.51 [.020] BRASS		FINISH	-			DRAWING NO	C-1217881
		WEIGHT	-			RESTRICTED TO	-
		CUSTOMER DRAWING		SCALE	5:1	SHEET	1 OF 1
				REV	D		