



Chipsmall Limited consists of a professional team with an average of over 10 year of expertise in the distribution of electronic components. Based in Hongkong, we have already established firm and mutual-benefit business relationships with customers from,Europe,America and south Asia,supplying obsolete and hard-to-find components to meet their specific needs.

With the principle of “Quality Parts,Customers Priority,Honest Operation,and Considerate Service”,our business mainly focus on the distribution of electronic components. Line cards we deal with include Microchip,ALPS,ROHM,Xilinx,Pulse,ON,Everlight and Freescale. Main products comprise IC,Modules,Potentiometer,IC Socket,Relay,Connector.Our parts cover such applications as commercial,industrial, and automotives areas.

We are looking forward to setting up business relationship with you and hope to provide you with the best service and solution. Let us make a better world for our industry!



Contact us

Tel: +86-755-8981 8866 Fax: +86-755-8427 6832

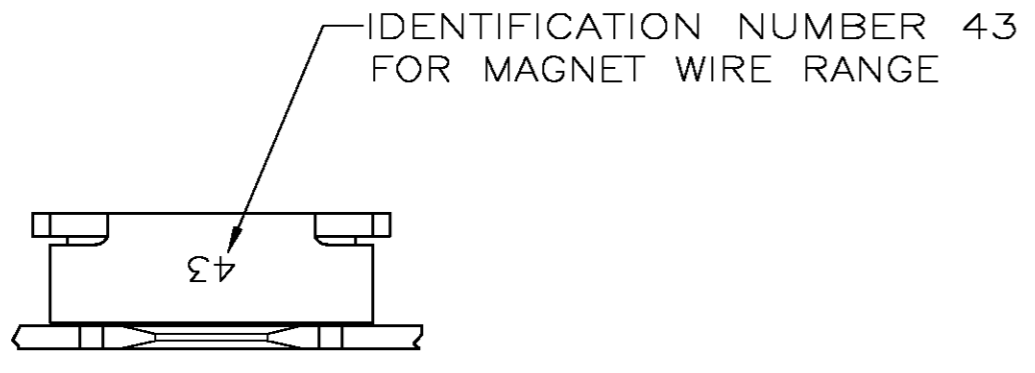
Email & Skype: info@chipsmall.com Web: www.chipsmall.com

Address: A1208, Overseas Decoration Building, #122 Zhenhua RD., Futian, Shenzhen, China

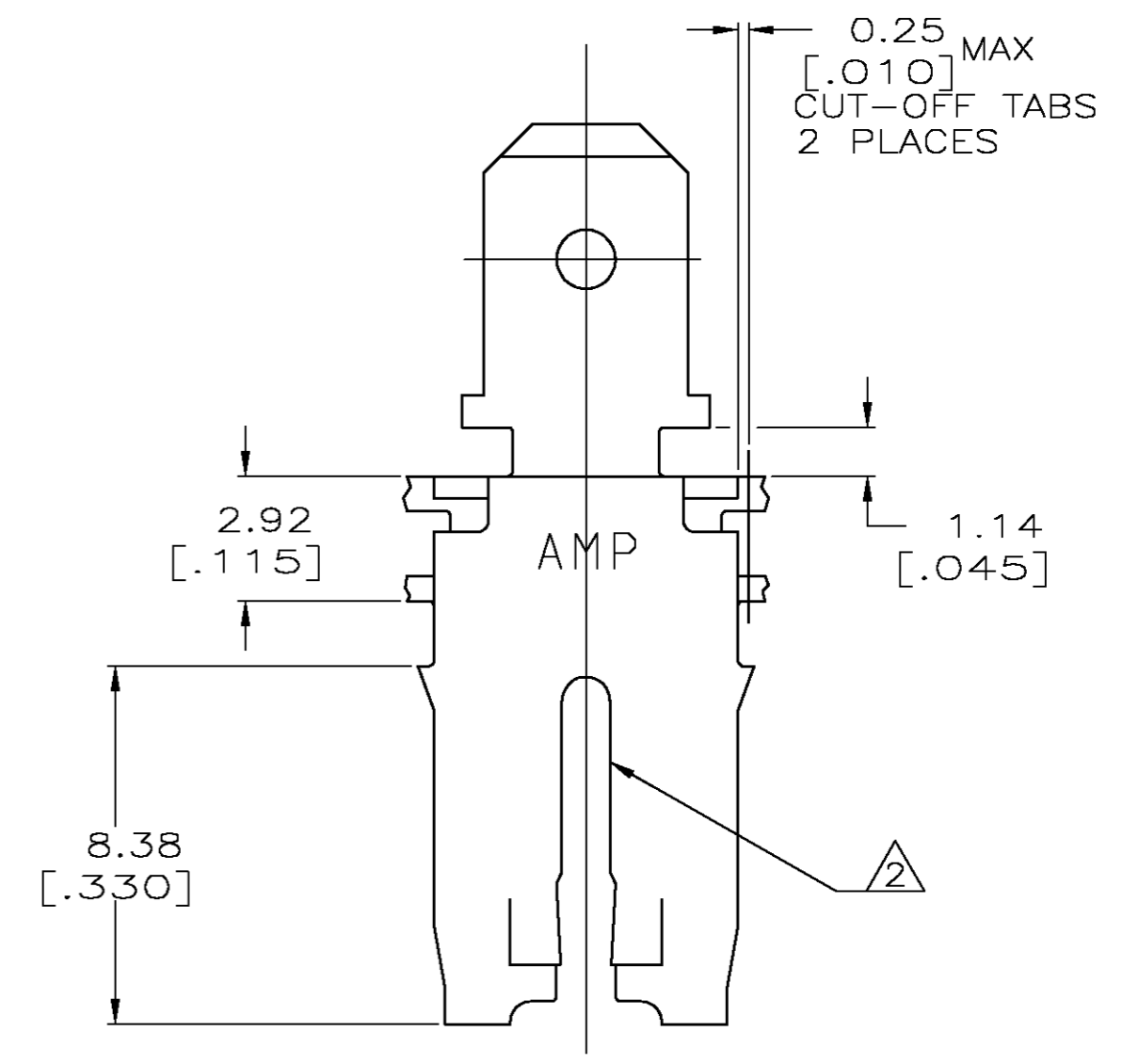
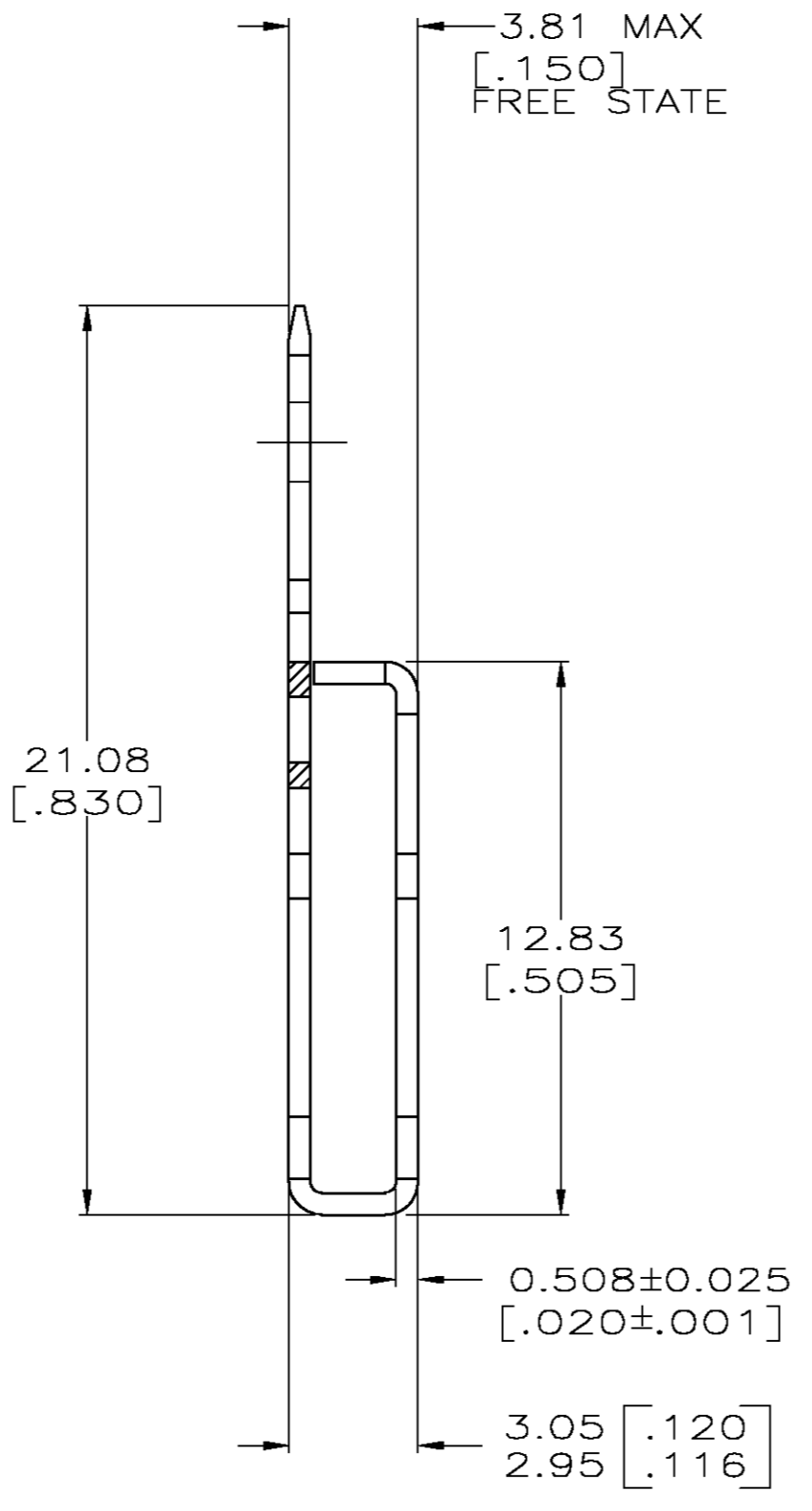
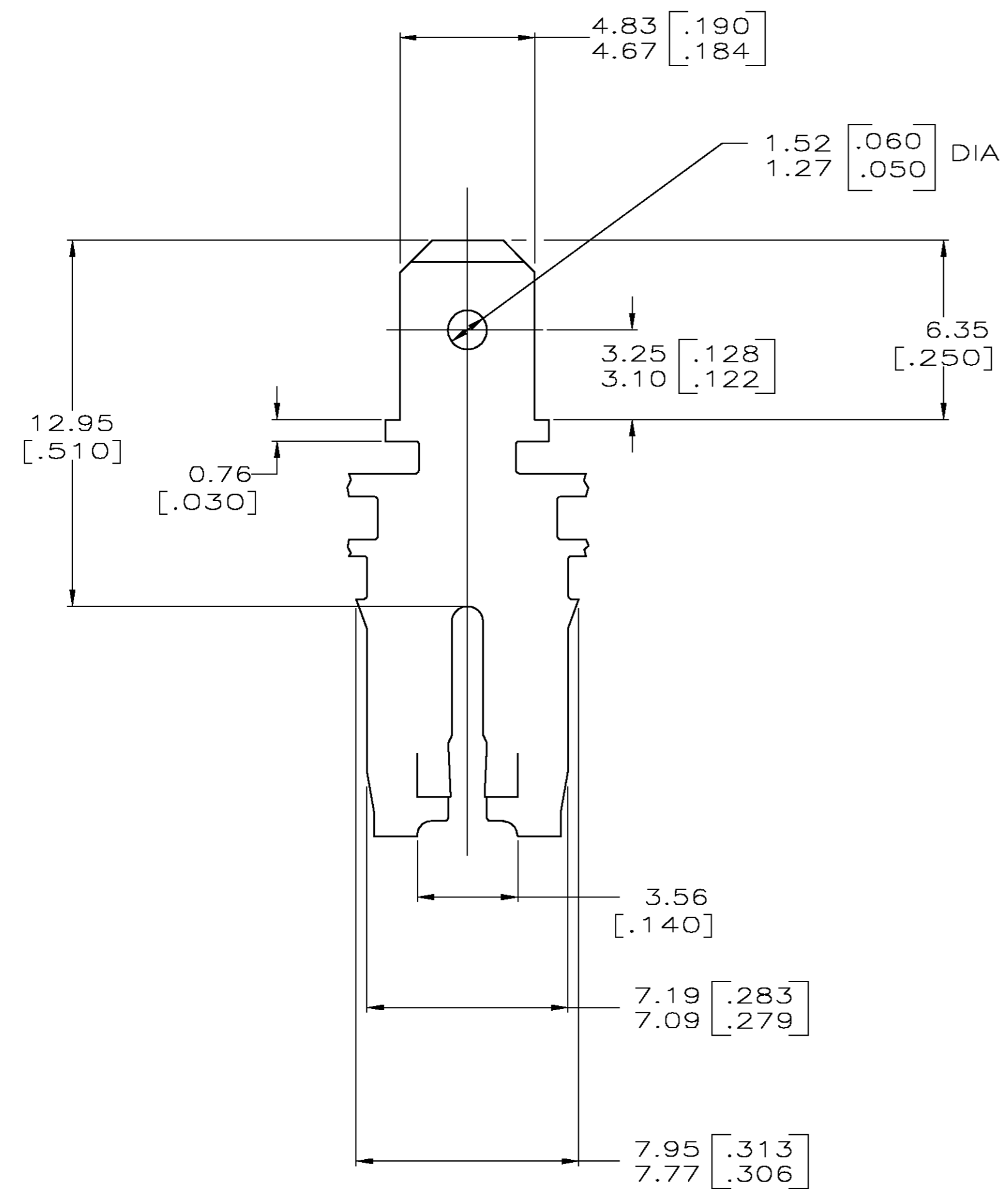


THIS DRAWING IS UNPUBLISHED. RELEASED FOR PUBLICATION
 © COPYRIGHT BY TYCO ELECTRONICS CORPORATION. ALL RIGHTS RESERVED.

LOC		DIST		REVISIONS			
P	LTR	DESCRIPTION		DATE	DWN	APVD	
AF	50	A	REV & REL PER	0G3A-0053-03	14FEB03	JR KR	



- ① CONTINUOUS STRIP ON REELS WITH TERMINALS LOCATED ON 8.38±0.08 [.330±.003] CENTERS.
- ② SLOT TERMINATES A SINGLE MAGNET WIRE ONLY. COPPER RANGE: 1.54-1.83mm [#14.5-#13] AWG. ALUMINUM RANGE: 183-2.05mm [#13-#12] AWG.
- 3 AFTER INSERTION INTO PLASTIC 'HOLDER' TAB PORTION MUST BE BENT OVER 45 TO 90 OR POTTED-IN TO PREVENT PULL-OUT WHEN MATING RECEPTACLE IS DISCONNECTED.



1217902-1
PART NUMBER

THIS DRAWING IS A CONTROLLED DOCUMENT.		DWN MICHAEL S. FEHER 03DEC2002	Tyco Electronics Corporation Harrisburg, PA 17105-3608	
DIMENSIONS: INCHES		CHK KURT A. RANDOLPH 03DEC2002	NAME TAB, 4.75[.187] FASTON,™ 500 SERIES MAG-MATE™	
TOLERANCES UNLESS OTHERWISE SPECIFIED:		APVD KURT A. RANDOLPH 03DEC2002	PRODUCT SPEC 108-2053	
0 PLC ± -		APPLICATION SPEC 114-2066	SIZE A2	CAGE CODE 00779
1 PLC ± -		FINISH 0.002032[.000080] MIN TIN PLATE	DRAWING NO C=1217902	RESTRICTED TO -
2 PLC ± 0.25[.010]		MATERIAL H03 BRASS	SCALE 6:1	SHEET 1 OF 1
3 PLC ± -		WEIGHT -	REV A	
4 PLC ± -		CUSTOMER DRAWING		
ANGLES ± -				