



Chipsmall Limited consists of a professional team with an average of over 10 year of expertise in the distribution of electronic components. Based in Hongkong, we have already established firm and mutual-benefit business relationships with customers from,Europe,America and south Asia,supplying obsolete and hard-to-find components to meet their specific needs.

With the principle of “Quality Parts,Customers Priority,Honest Operation,and Considerate Service”,our business mainly focus on the distribution of electronic components. Line cards we deal with include Microchip,ALPS,ROHM,Xilinx,Pulse,ON,Everlight and Freescale. Main products comprise IC,Modules,Potentiometer,IC Socket,Relay,Connector.Our parts cover such applications as commercial,industrial, and automotives areas.

We are looking forward to setting up business relationship with you and hope to provide you with the best service and solution. Let us make a better world for our industry!



Contact us

Tel: +86-755-8981 8866 Fax: +86-755-8427 6832

Email & Skype: info@chipsmall.com Web: www.chipsmall.com

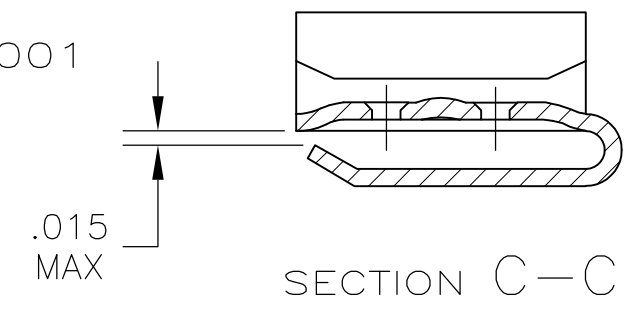
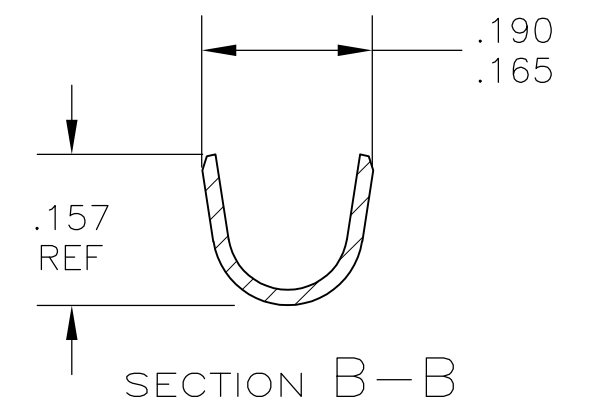
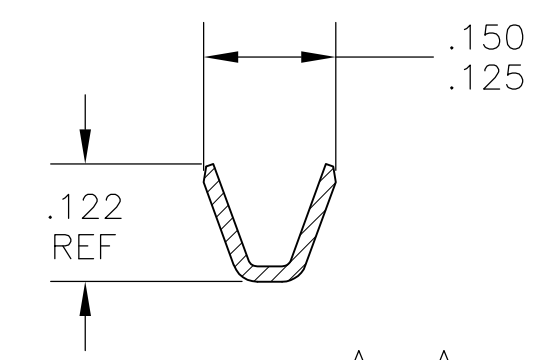
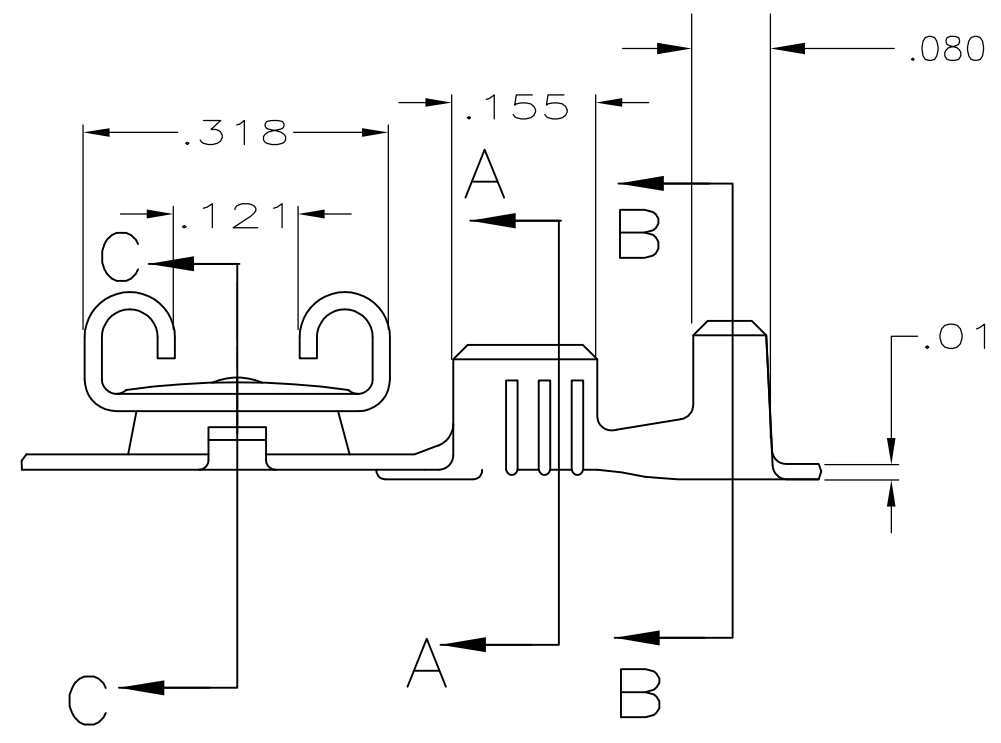
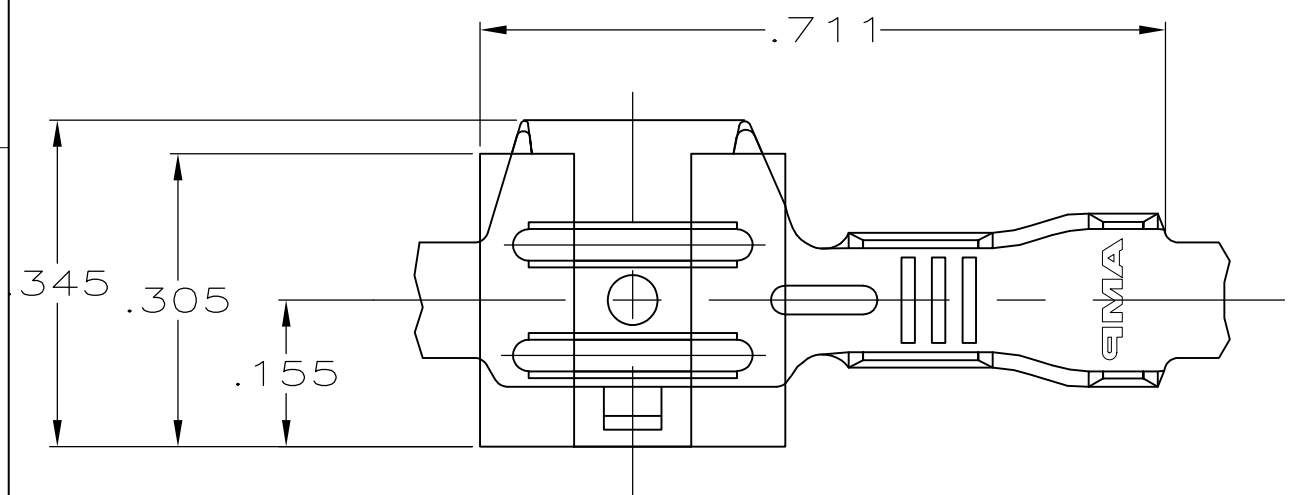
Address: A1208, Overseas Decoration Building, #122 Zhenhua RD., Futian, Shenzhen, China




THIS DRAWING IS UNPUBLISHED. RELEASED FOR PUBLICATION
 © COPYRIGHT - By - ALL RIGHTS RESERVED.

LOC	DIST	REVISIONS			
P	LTR	DESCRIPTION	DATE	DWN	APVD
AF	50				
	D	REVISED PER ECR-12-013518	26NOV2012	KH	PD

- CONTINUOUS STRIP ON REELS.
- WIRE SIZE IS FOR #22-#16 AWG
- INSULATION RANGE IS .090-.130 DIA.
- MATING TAB THK IS .032±.001



1217904-1
PART NO.

THIS DRAWING IS A CONTROLLED DOCUMENT.		DWN	JR RUTH	05DEC02	 TE Connectivity											
DIMENSIONS: INCHES		CHK	D DECKER	05DEC02												
TOLERANCES UNLESS OTHERWISE SPECIFIED:		APVD	D DECKER	05DEC02												
<table border="0"> <tr><td>0 PLC</td><td>± -</td></tr> <tr><td>1 PLC</td><td>± -</td></tr> <tr><td>2 PLC</td><td>± -</td></tr> <tr><td>3 PLC</td><td>± .010</td></tr> <tr><td>4 PLC</td><td>± -</td></tr> <tr><td>ANGLES</td><td>± -</td></tr> </table>		0 PLC	± -	1 PLC		± -	2 PLC	± -	3 PLC	± .010	4 PLC	± -	ANGLES	± -	NAME	
0 PLC	± -															
1 PLC	± -															
2 PLC	± -															
3 PLC	± .010															
4 PLC	± -															
ANGLES	± -															
MATERIAL: BRASS		FINISH: -		PRODUCT SPEC: -	APPLICATION SPEC: -											
		SIZE	A3	CAGE CODE	00779											
		DRAWING NO	C-1217904		RESTRICTED TO: -											
		WEIGHT	-		SCALE: 5:1											
		CUSTOMER DRAWING		SHEET: 1 OF 1	REV: D											