



Chipsmall Limited consists of a professional team with an average of over 10 year of expertise in the distribution of electronic components. Based in Hongkong, we have already established firm and mutual-benefit business relationships with customers from,Europe,America and south Asia,supplying obsolete and hard-to-find components to meet their specific needs.

With the principle of “Quality Parts,Customers Priority,Honest Operation,and Considerate Service”,our business mainly focus on the distribution of electronic components. Line cards we deal with include Microchip,ALPS,ROHM,Xilinx,Pulse,ON,Everlight and Freescale. Main products comprise IC,Modules,Potentiometer,IC Socket,Relay,Connector.Our parts cover such applications as commercial,industrial, and automotives areas.

We are looking forward to setting up business relationship with you and hope to provide you with the best service and solution. Let us make a better world for our industry!



Contact us

Tel: +86-755-8981 8866 Fax: +86-755-8427 6832

Email & Skype: info@chipsmall.com Web: www.chipsmall.com

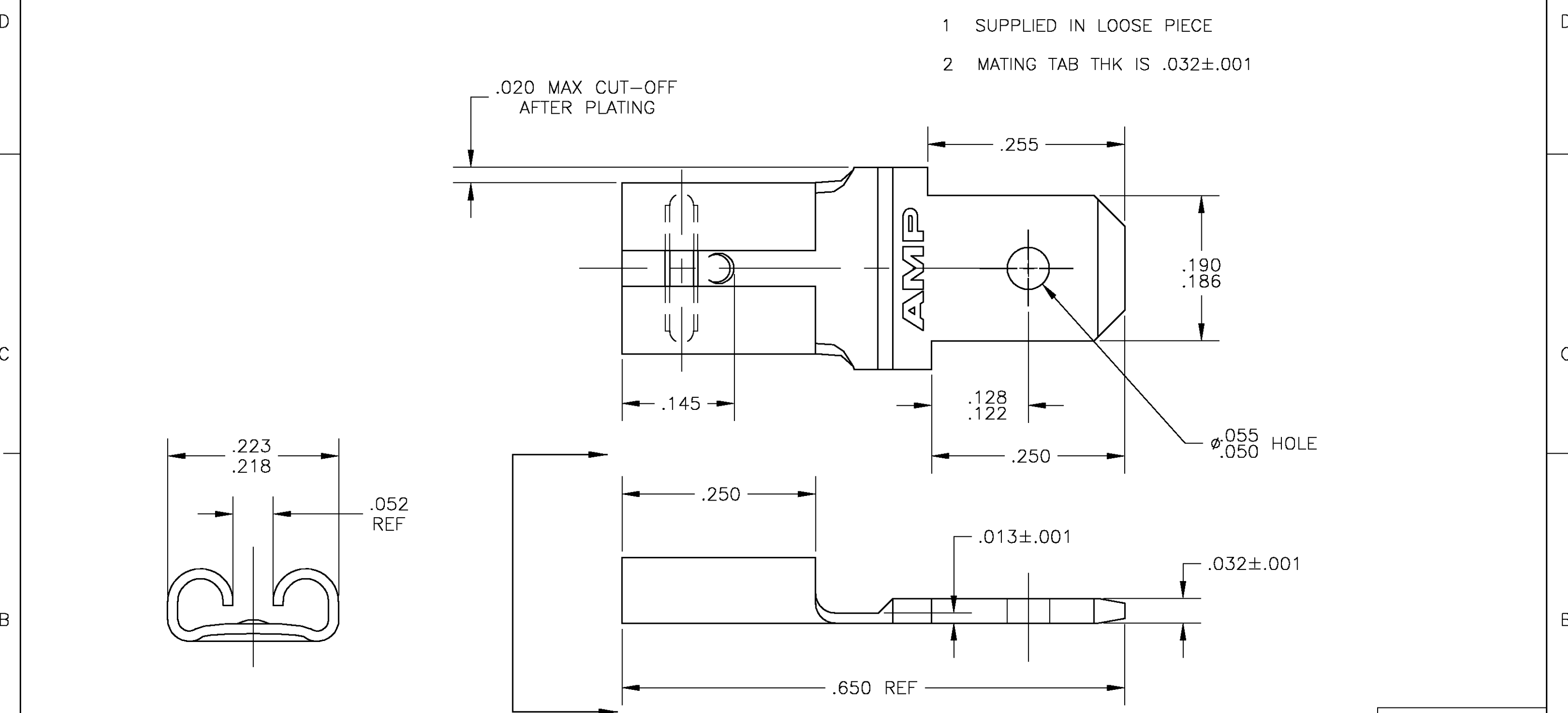
Address: A1208, Overseas Decoration Building, #122 Zhenhua RD., Futian, Shenzhen, China



THIS DRAWING IS UNPUBLISHED. RELEASED FOR PUBLICATION
 © COPYRIGHT BY TYCO ELECTRONICS CORPORATION. ALL RIGHTS RESERVED.

LOC	DIST	REVISIONS				
P	LTR	DESCRIPTION	DATE	DWN	APVD	
AF	50	B	REL PER 0G3A-0455-03	05AUG03	JR	PD

- 1 SUPPLIED IN LOOSE PIECE
- 2 MATING TAB THK IS $.032 \pm .001$



1217933-1
 PART NO

THIS DRAWING IS A CONTROLLED DOCUMENT.		DWN	JR RUTH	11MAR03	Tyco Electronics Corporation Harrisburg, PA 17105	
DIMENSIONS: INCHES		CHK	P DESANTIS	11MAR03		
TOLERANCES UNLESS OTHERWISE SPECIFIED:		APVD	P DESANTIS	11MAR03	NAME ADAPTER, FASTON, .187 SERIES	
0 PLC ± - 1 PLC ± - 2 PLC ± - 3 PLC ± .010 4 PLC ± - ANGLES ± 1'		PRODUCT SPEC		RESTRICTED TO		
MATERIAL H04 BRASS		FINISH .000080 MIN TIN		APPLICATION SPEC		SIZE A3
		WEIGHT		CAGE CODE 00779		DRAWING NO C-1217933
		CUSTOMER DRAWING		SCALE 8:1		SHEET 1 OF 1
				REV B		