



Chipsmall Limited consists of a professional team with an average of over 10 year of expertise in the distribution of electronic components. Based in Hongkong, we have already established firm and mutual-benefit business relationships with customers from,Europe,America and south Asia,supplying obsolete and hard-to-find components to meet their specific needs.

With the principle of “Quality Parts,Customers Priority,Honest Operation,and Considerate Service”,our business mainly focus on the distribution of electronic components. Line cards we deal with include Microchip,ALPS,ROHM,Xilinx,Pulse,ON,Everlight and Freescale. Main products comprise IC,Modules,Potentiometer,IC Socket,Relay,Connector.Our parts cover such applications as commercial,industrial, and automotives areas.

We are looking forward to setting up business relationship with you and hope to provide you with the best service and solution. Let us make a better world for our industry!



Contact us

Tel: +86-755-8981 8866 Fax: +86-755-8427 6832

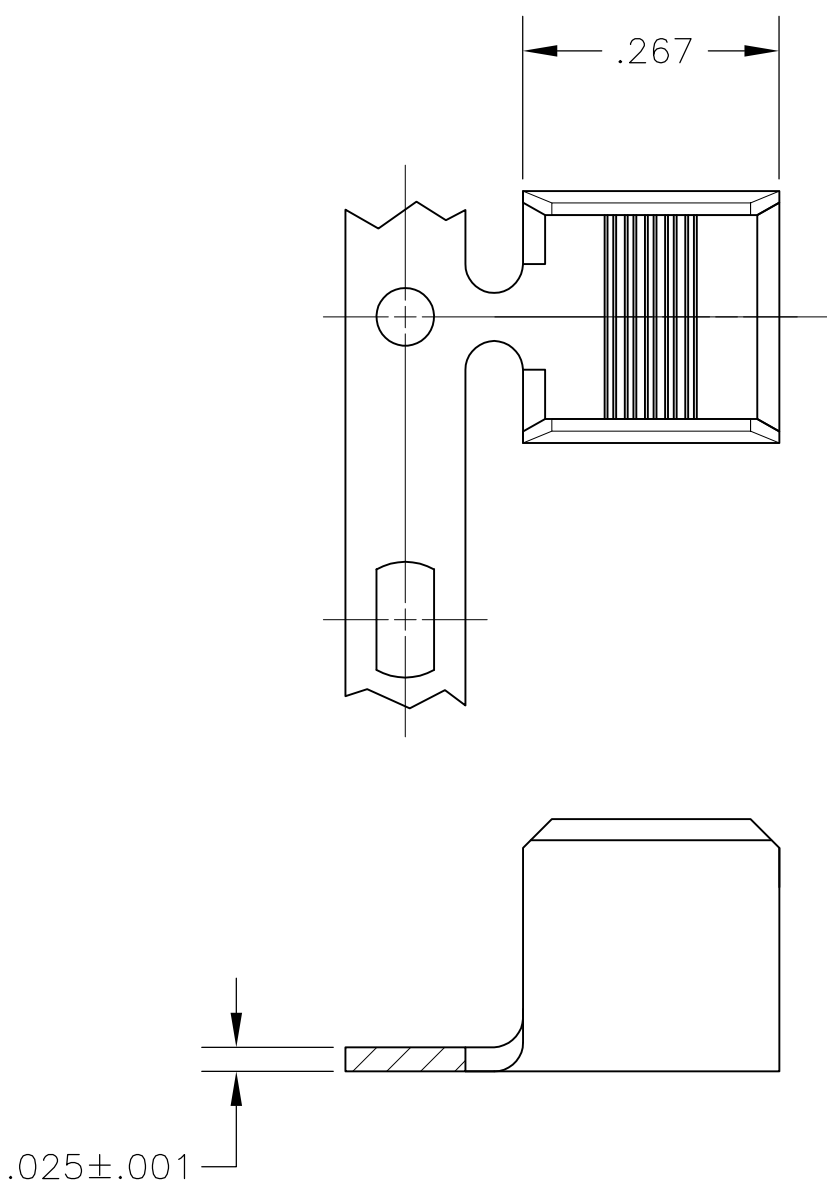
Email & Skype: info@chipsmall.com Web: www.chipsmall.com

Address: A1208, Overseas Decoration Building, #122 Zhenhua RD., Futian, Shenzhen, China

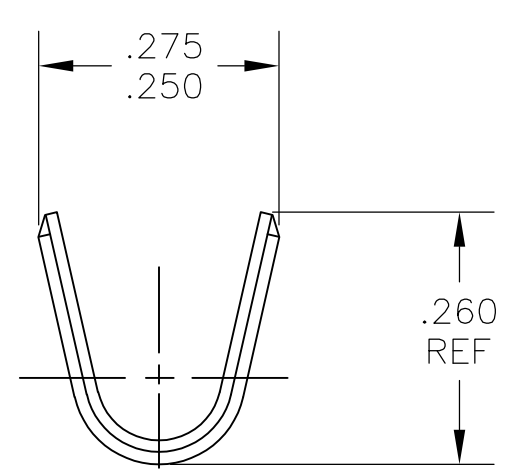


THIS DRAWING IS UNPUBLISHED. RELEASED FOR PUBLICATION
 © COPYRIGHT - By - ALL RIGHTS RESERVED.

LOC	DIST	REVISIONS			
P	LTR	DESCRIPTION	DATE	DWN	APVD
AF	50	D3	REVISE PER ECR-14-005740	15APR2014	GRZ JL



- 1 PROVIDED ON 24 INCH DIA REEL.
- 2 CRIMP WIDTH—.180, F TYPE
- 3 CRIMP HEIGHT $\pm .002 = \frac{CMA+23,500}{312,500}$
- 4 WIRE RANGE IS 6,000—14,000 CMA
- △5 SPLICE FREE



—	△5	1217990-4
TIN PLATE	△5	1217990-3
TIN PLATE		1217990-2
—		1217990-1
FINISH		PART NO

THIS DRAWING IS A CONTROLLED DOCUMENT.		DWN jr_ruth 26AUG03	TE Connectivity				
DIMENSIONS: INCHES		CHK G PORTA 26AUG03				NAME SPLICE, AMPLIVAR 5 SERRATIONS	
TOLERANCES UNLESS OTHERWISE SPECIFIED: 0 PLC ± - 1 PLC ± - 2 PLC ± .010 3 PLC ± - 4 PLC ± - ANGLES ± -		APVD G PORTA 26AUG03	PRODUCT SPEC -				
MATERIAL BRASS		FINISH SEE TABLE	APPLICATION SPEC -	SIZE A3	CAGE CODE 00779	DRAWING NO C-1217990	RESTRICTED TO -
CUSTOMER DRAWING			WEIGHT -	SCALE 5:1	SHEET 1 OF 1	REV D3	