



Chipsmall Limited consists of a professional team with an average of over 10 year of expertise in the distribution of electronic components. Based in Hongkong, we have already established firm and mutual-benefit business relationships with customers from,Europe,America and south Asia,supplying obsolete and hard-to-find components to meet their specific needs.

With the principle of “Quality Parts,Customers Priority,Honest Operation,and Considerate Service”,our business mainly focus on the distribution of electronic components. Line cards we deal with include Microchip,ALPS,ROHM,Xilinx,Pulse,ON,Everlight and Freescale. Main products comprise IC,Modules,Potentiometer,IC Socket,Relay,Connector.Our parts cover such applications as commercial,industrial, and automotives areas.

We are looking forward to setting up business relationship with you and hope to provide you with the best service and solution. Let us make a better world for our industry!



Contact us

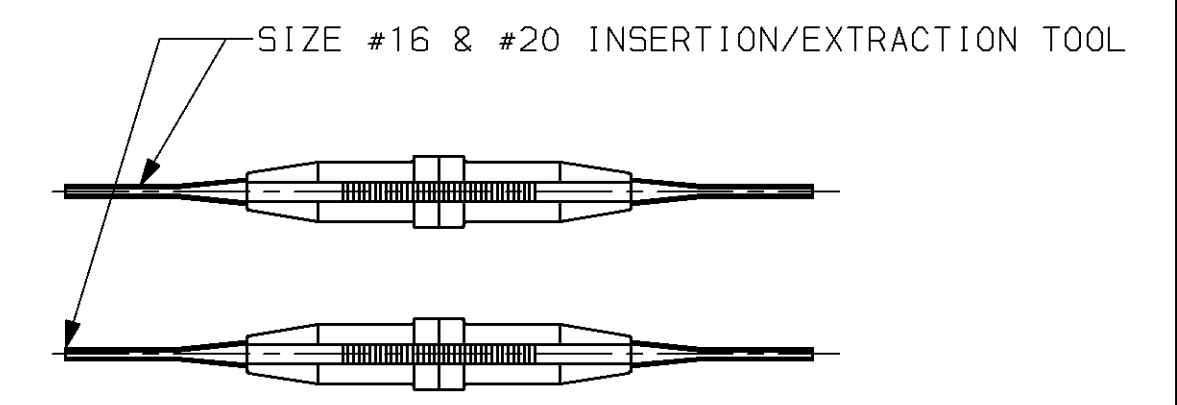
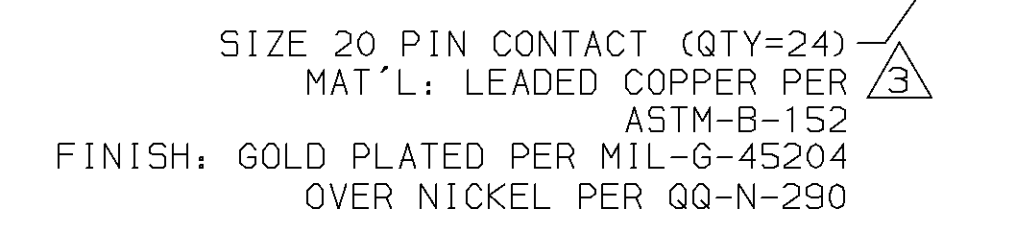
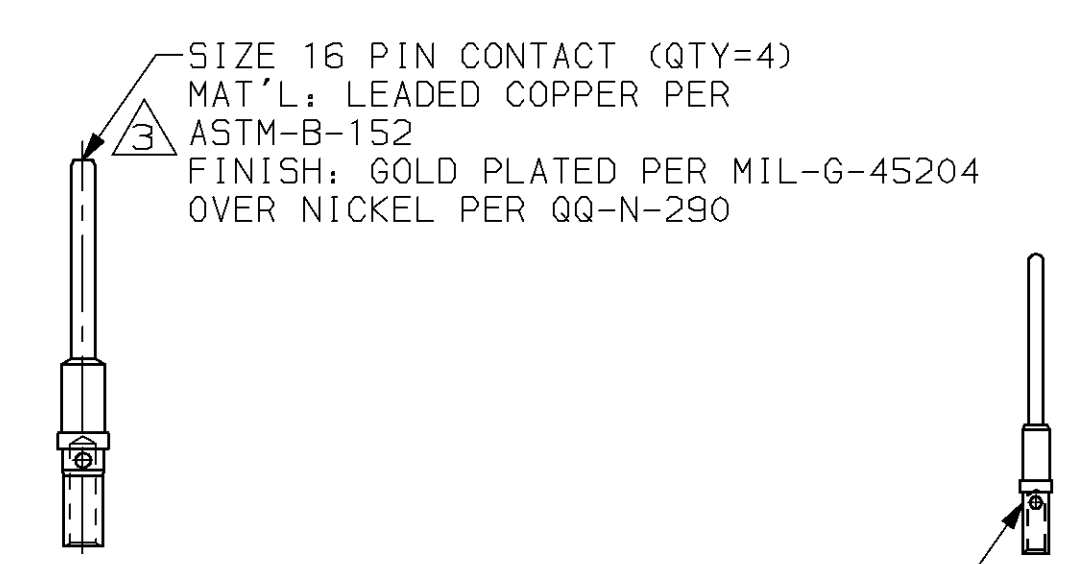
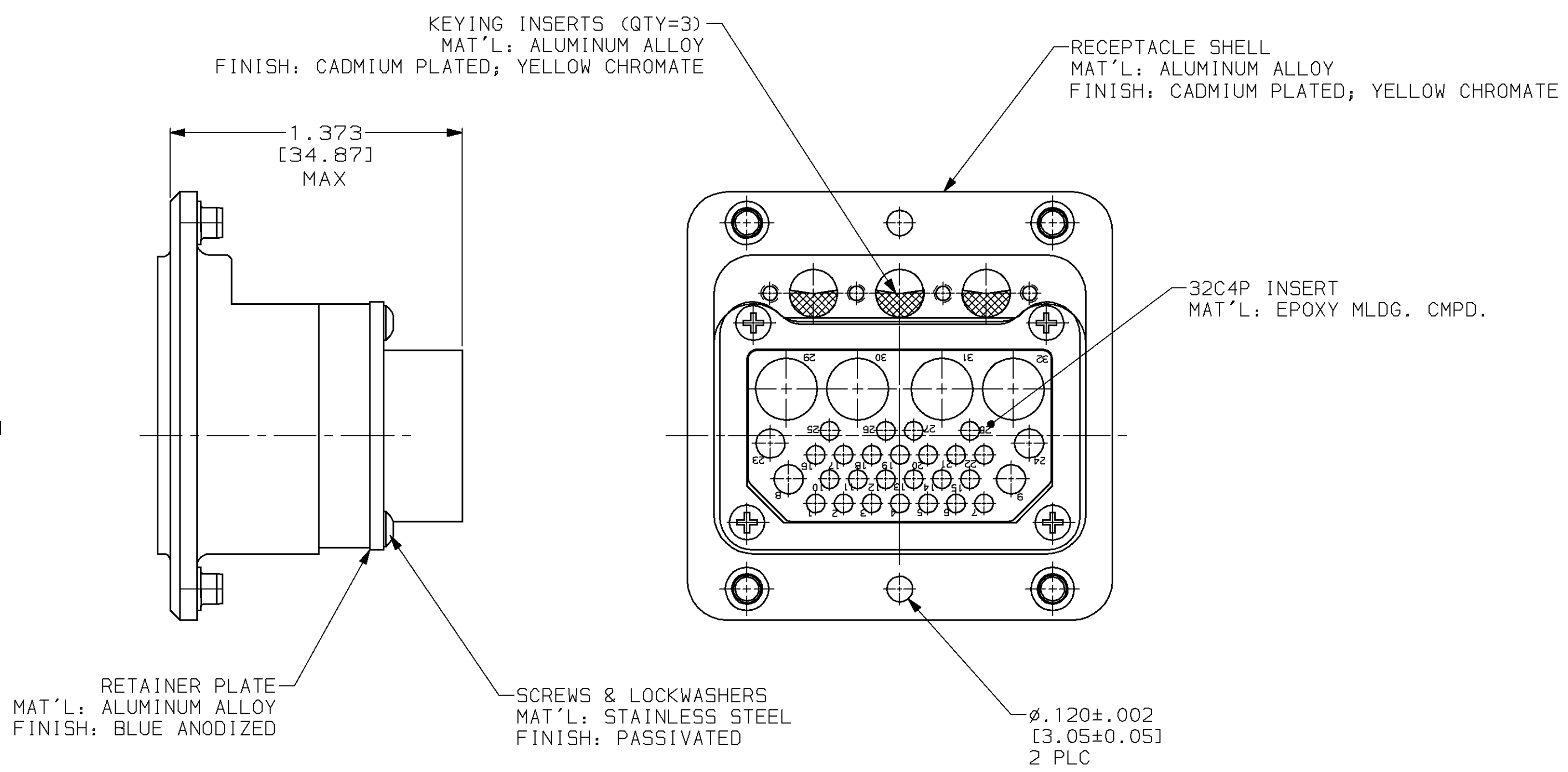
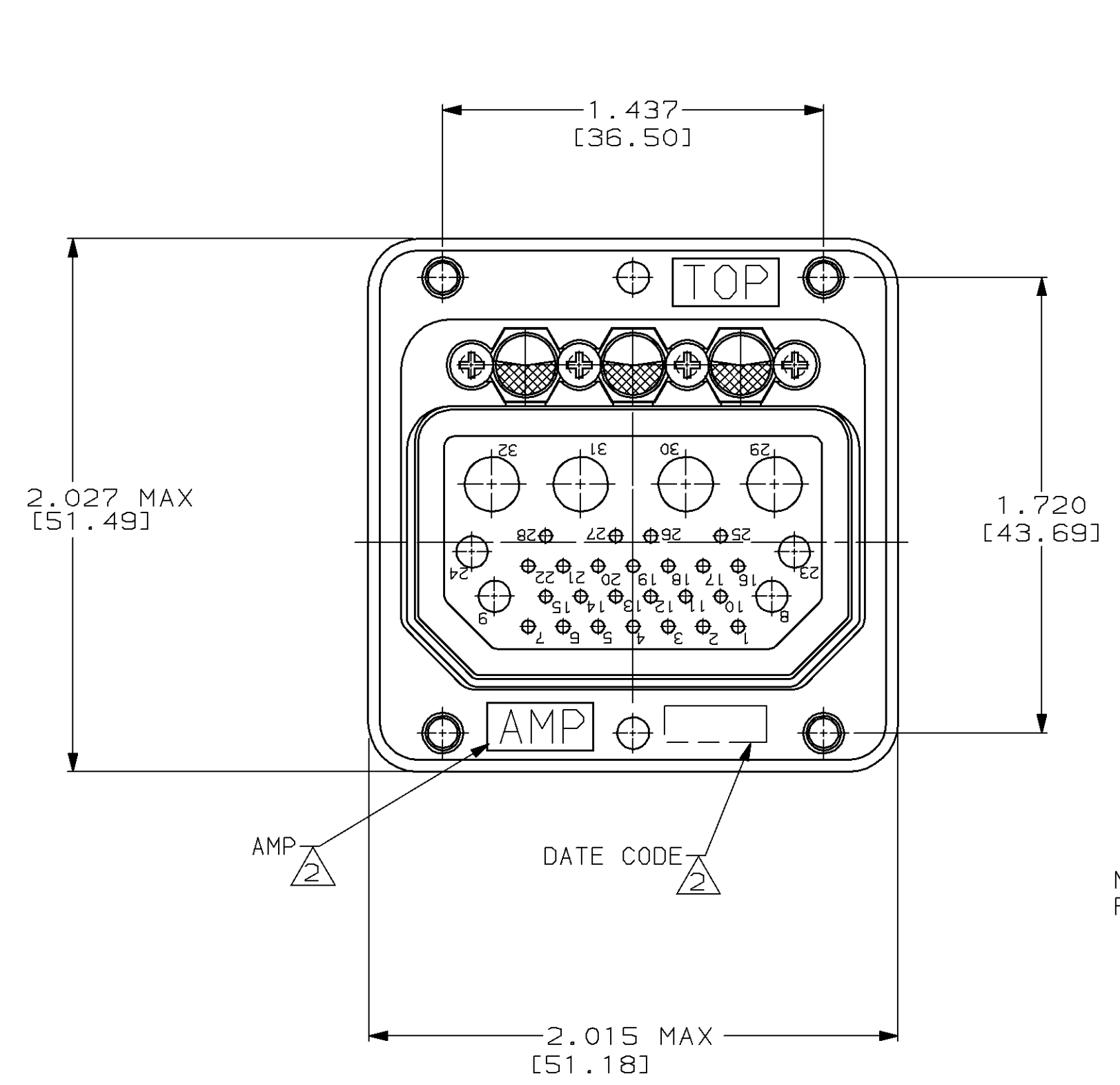
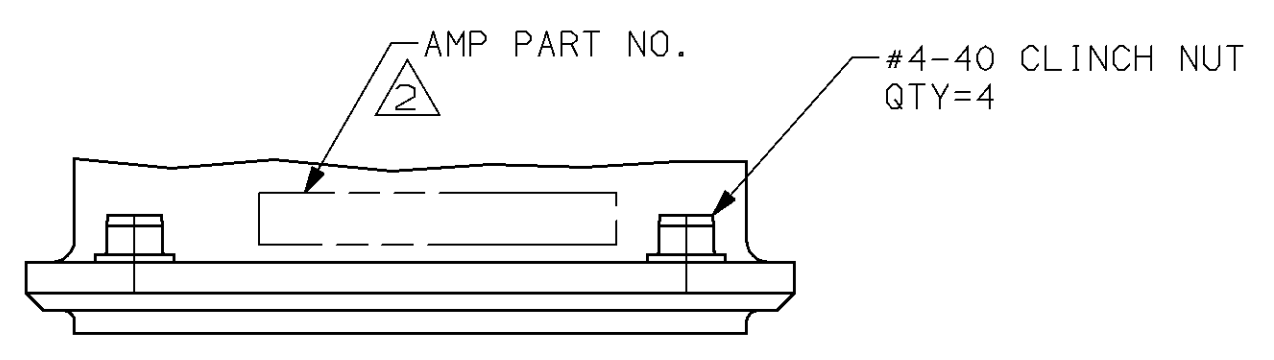
Tel: +86-755-8981 8866 Fax: +86-755-8427 6832

Email & Skype: info@chipsmall.com Web: www.chipsmall.com

Address: A1208, Overseas Decoration Building, #122 Zhenhua RD., Futian, Shenzhen, China



LOC		DIST		REVISIONS			
P	LTR	DATE	DMY	APVD			
A	REV PER	0600-7485-98	5-98	CT	JW		



- KEYING ASSEMBLED IN POSITION 01.
- △ AMP, AMP PART NO. AND DATE CODE MARKED IN AREA SHOWN.
 - △ CONTACTS ARE PACKAGED IN A SEPARATE CONTAINER AND SHIPPED WITH CONNECTOR. COAX CONTACTS MUST BE ORDERED SEPARATELY.

1218039-1
 PART NUMBER

THIS DRAWING IS A CONTROLLED DOCUMENT.		DMY C. C. THOMAS 5-19-98	AMP Incorporated Harrisburg, PA 17105-3608	
DIMENSIONS: INCHES (MM)	TOLERANCES UNLESS OTHERWISE SPECIFIED:	CHK J. WEAVER 5-19-98	APVD J. WEAVER 5-19-98	NAME RECEPTACLE ASSY, ARINC 404 RM1R32C4P-0101
0 PLC ±-	1 PLC ±-	PRODUCT SPEC	APPLICATION SPEC	SIZE A1
2 PLC ±-	3 PLC ±.005 (0.13)	WEIGHT	SCALE	CAGE CODE 00779
4 PLC ±-	ANGLES ±-	FINISH	RESTRICTED TO	DRAWING NO. 1218039
MATERIAL SEE CALLOUTS	FINISH SEE CALLOUTS	CUSTOMER DRAWING	SCALE 2:1	SHEET 1 OF 1