



Chipsmall Limited consists of a professional team with an average of over 10 year of expertise in the distribution of electronic components. Based in Hongkong, we have already established firm and mutual-benefit business relationships with customers from,Europe,America and south Asia,supplying obsolete and hard-to-find components to meet their specific needs.

With the principle of “Quality Parts,Customers Priority,Honest Operation,and Considerate Service”,our business mainly focus on the distribution of electronic components. Line cards we deal with include Microchip,ALPS,ROHM,Xilinx,Pulse,ON,Everlight and Freescale. Main products comprise IC,Modules,Potentiometer,IC Socket,Relay,Connector.Our parts cover such applications as commercial,industrial, and automotives areas.

We are looking forward to setting up business relationship with you and hope to provide you with the best service and solution. Let us make a better world for our industry!



Contact us

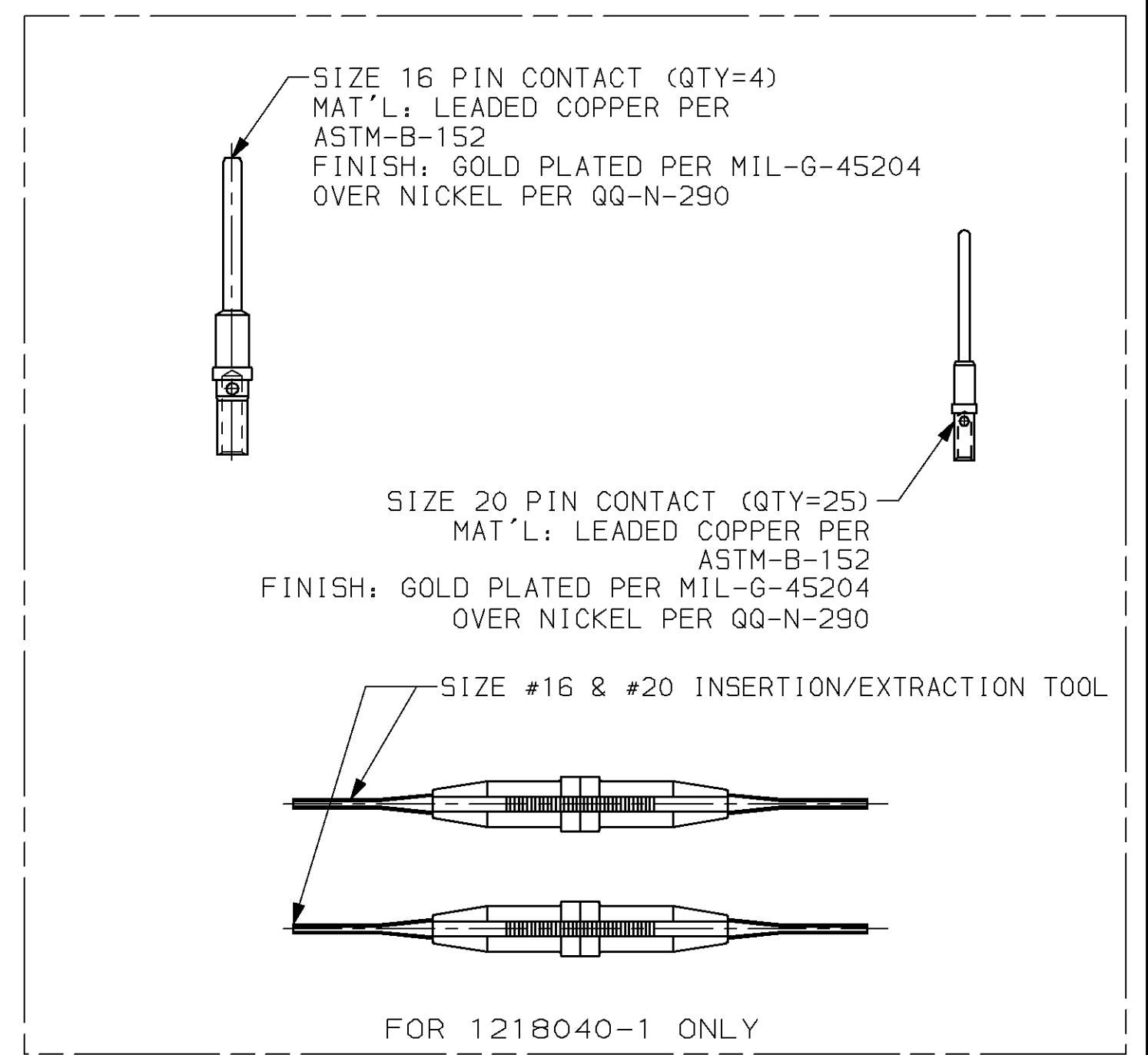
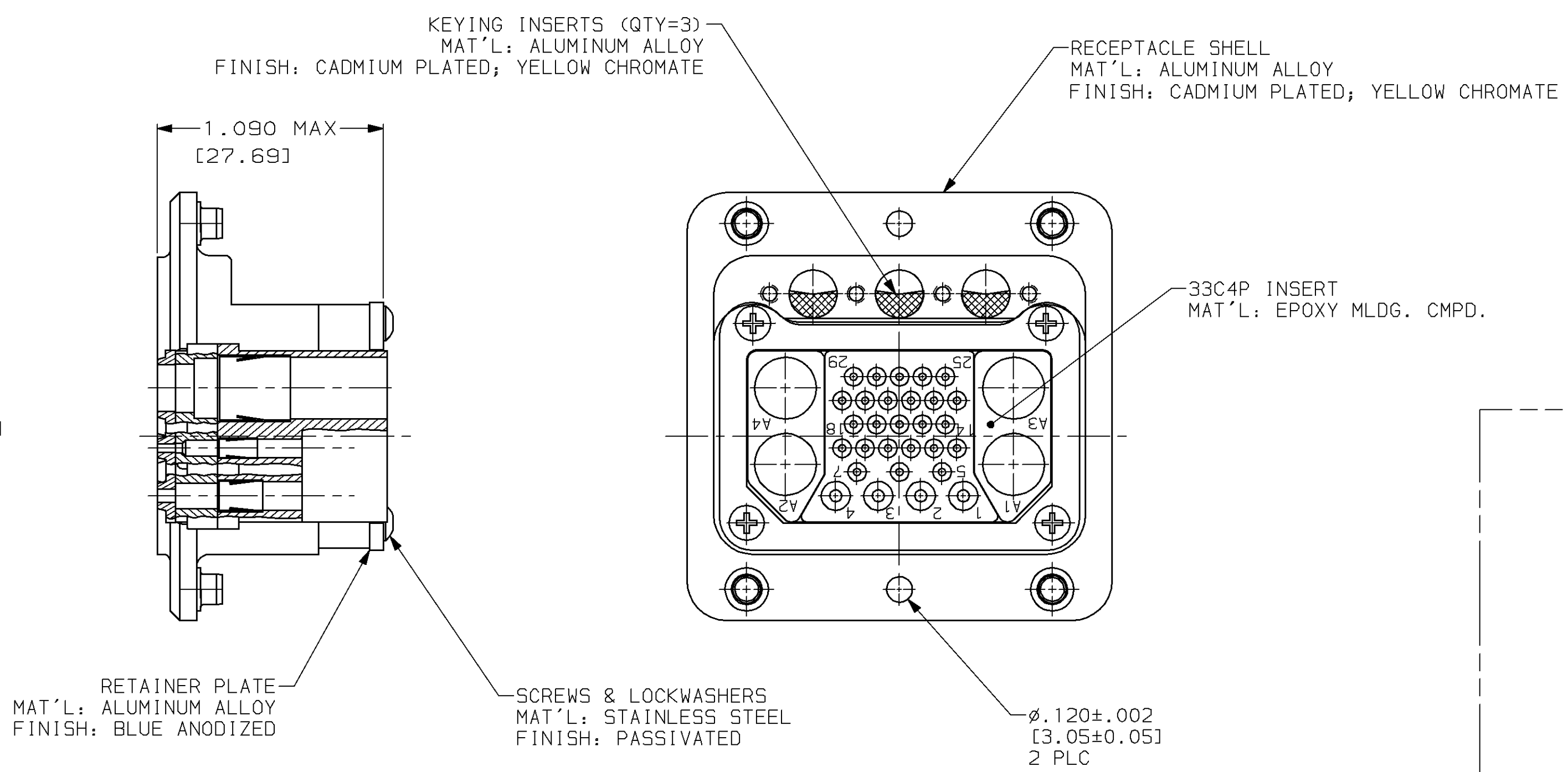
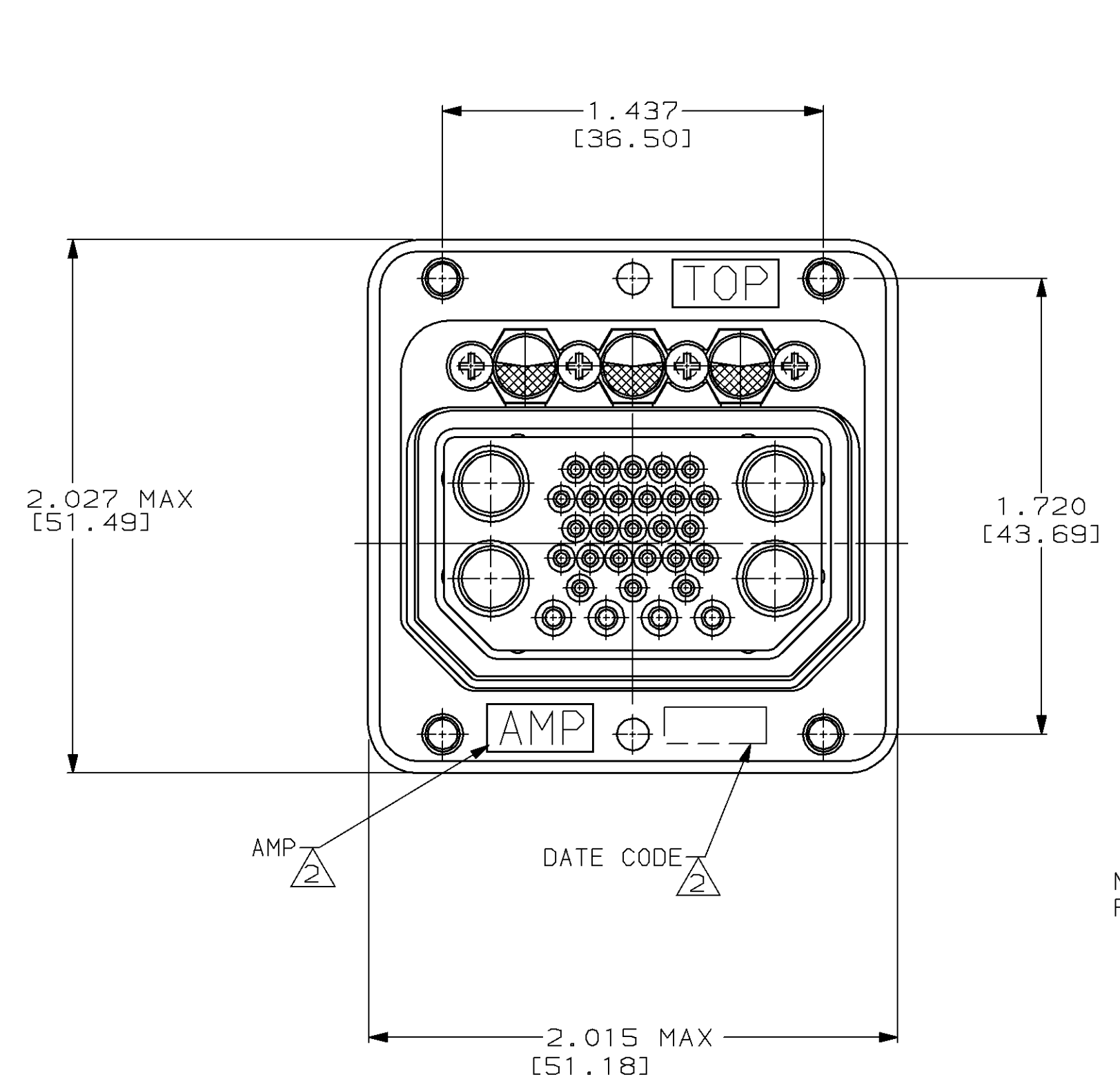
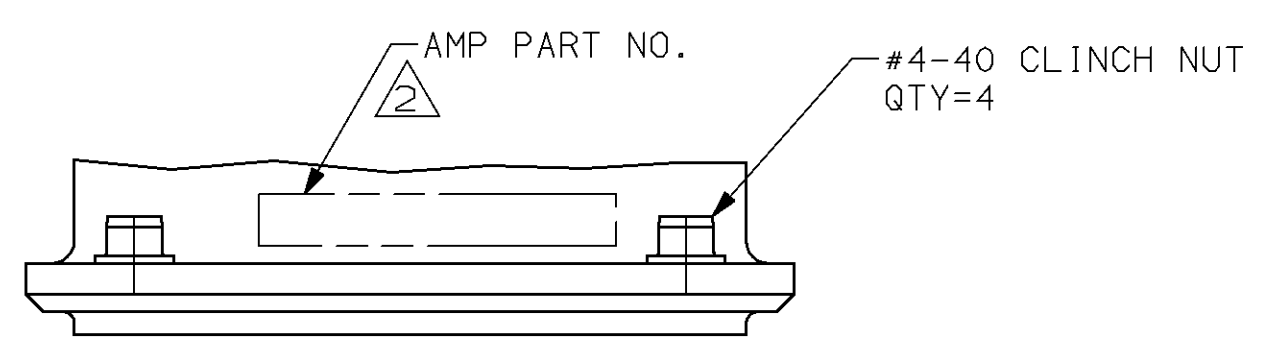
Tel: +86-755-8981 8866 Fax: +86-755-8427 6832

Email & Skype: info@chipsmall.com Web: www.chipsmall.com

Address: A1208, Overseas Decoration Building, #122 Zhenhua RD., Futian, Shenzhen, China



LOC	DIST	REVISIONS					
DF	AO	P	LTR	DESCRIPTION	DATE	DMN	APVD
		A		REV PER 0600-7486-98	5-98	CT	JW



- KEYING ASSEMBLED IN POSITION 01.
- AMP, AMP PART NO. AND DATE CODE MARKED IN AREA SHOWN.
- CONTACTS FOR 1218040-1 ARE PACKAGED IN A SEPARATE CONTAINER AND SHIPPED WITH CONNECTOR. COAX CONTACTS MUST BE ORDERED SEPARATELY.
- ALL CONTACTS AND INSERTION/EXTRACTION TOOLS FOR 1218040-2 ARE NOT SUPPLIED. THEY MUST BE ORDERED SEPARATELY.

4	1218040-2
3	1218040-1
REMARKS	PART NUMBER

THIS DRAWING IS A CONTROLLED DOCUMENT.		DMN C. C. THOMAS 4/30/98	AMP Incorporated Harrisburg, PA 17105-3508
DIMENSIONS (INCHES (MM))	TOLERANCES UNLESS OTHERWISE SPECIFIED:	CHK J. WEAVER 4/30/98	NAME RECEPTACLE ASSY, ARINC 404 RM1R33C4P-0101
0 PLC ±.005	1 PLC ±.005	APVD J. WEAVER 4/30/98	PRODUCT SPEC
2 PLC ±.005	3 PLC ±.005 (0.131)	APPLICATION SPEC	SIZE A1
4 PLC ±.005	ANGLES ±.005	RESTRICTED TO	CAGE CODE 00779
MATERIAL SEE CALLOUTS	FINISH SEE CALLOUTS	WEIGHT	DRAWING NO. 1218040
CUSTOMER DRAWING		SCALE 2:1	SHEET 1 OF 1