



Chipsmall Limited consists of a professional team with an average of over 10 year of expertise in the distribution of electronic components. Based in Hongkong, we have already established firm and mutual-benefit business relationships with customers from,Europe,America and south Asia,supplying obsolete and hard-to-find components to meet their specific needs.

With the principle of “Quality Parts,Customers Priority,Honest Operation,and Considerate Service”,our business mainly focus on the distribution of electronic components. Line cards we deal with include Microchip,ALPS,ROHM,Xilinx,Pulse,ON,Everlight and Freescale. Main products comprise IC,Modules,Potentiometer,IC Socket,Relay,Connector.Our parts cover such applications as commercial,industrial, and automotives areas.

We are looking forward to setting up business relationship with you and hope to provide you with the best service and solution. Let us make a better world for our industry!



Contact us

Tel: +86-755-8981 8866 Fax: +86-755-8427 6832

Email & Skype: info@chipsmall.com Web: www.chipsmall.com

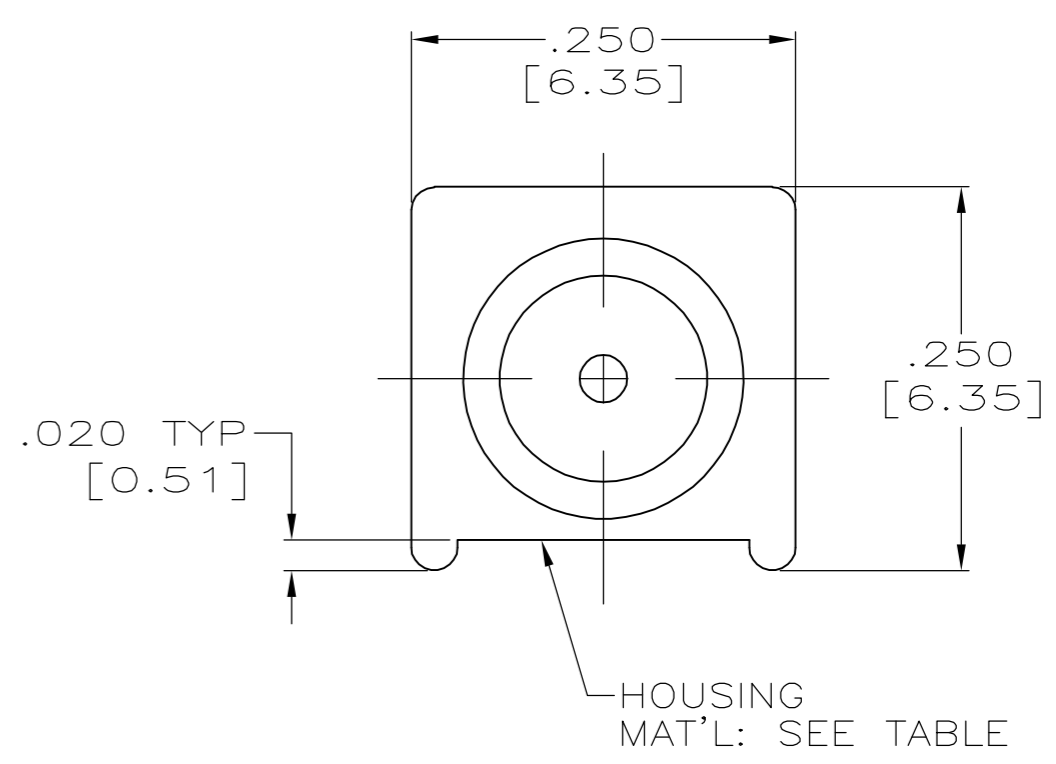
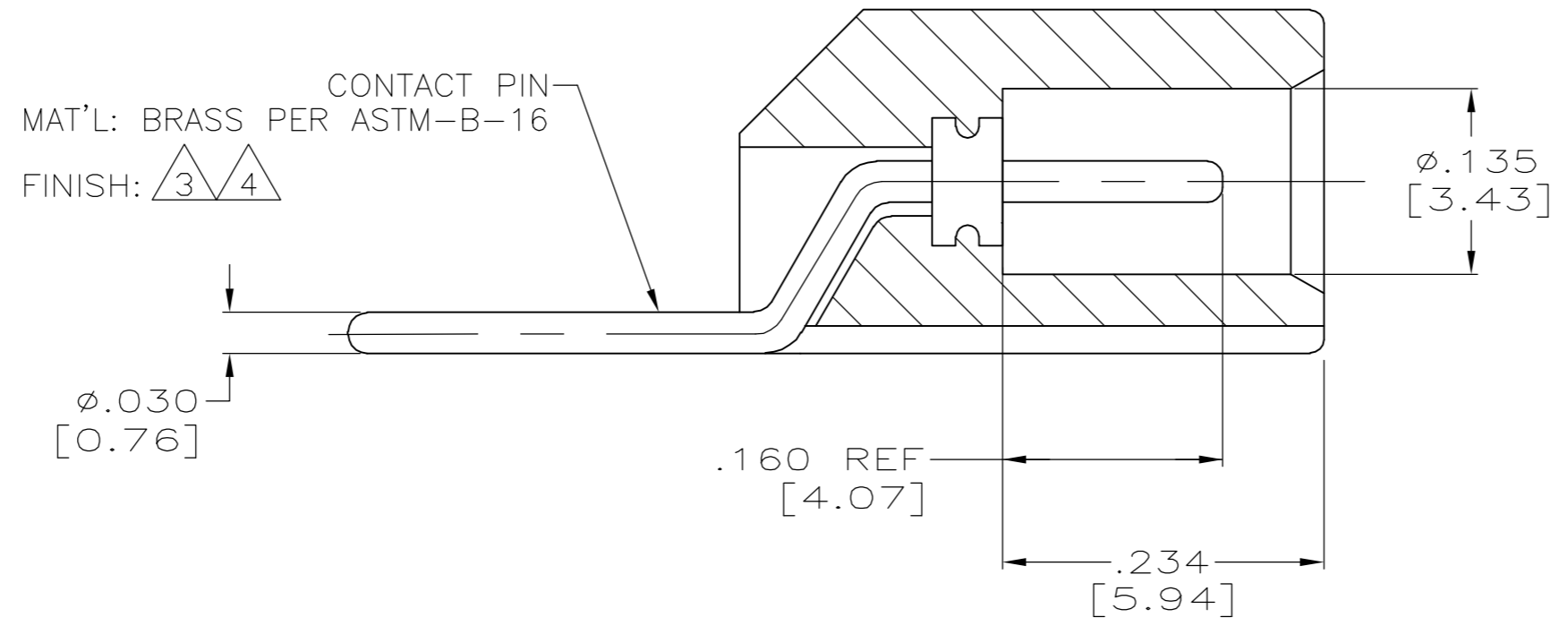
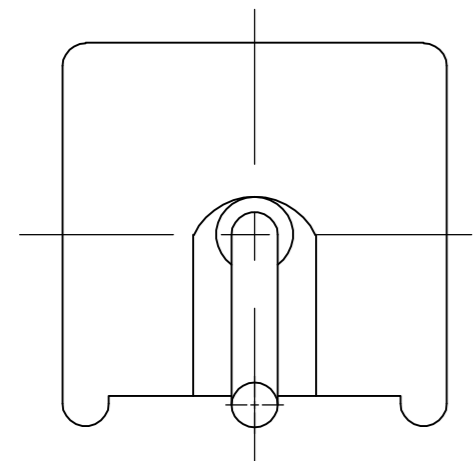
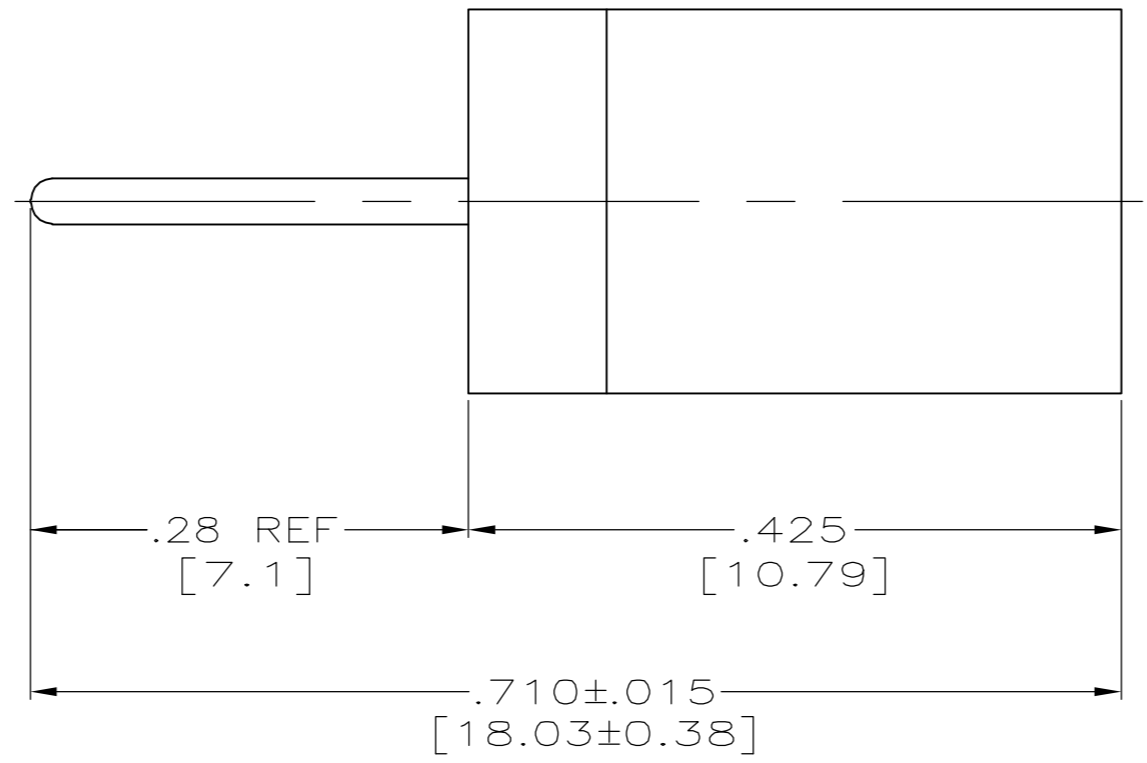
Address: A1208, Overseas Decoration Building, #122 Zhenhua RD., Futian, Shenzhen, China



THIS DRAWING IS UNPUBLISHED. RELEASED FOR PUBLICATION - .N/A .
 © COPYRIGHT N/A BY TYCO ELECTRONICS CORPORATION. ALL RIGHTS RESERVED.

LOC	DIST	REVISIONS					
DF	S0	P	LTR	DESCRIPTION	DATE	DWN	APVD
		D		REV PER 0H14-0191-05	05-05	AA	DE

- ① MAT'L: GLASS FILLED EPOXY. COLOR: BLACK
- ② MAT'L: PPS THERMOPLASTIC POLYMER. COLOR: BROWN
- ③ PLATE 93/7 TIN-LEAD OR TIN PER ASTM-B-545 OVER NICKEL PLATE.
- ④ PLATE TIN PER ASTM-B-545 OVER NICKEL PLATE.



REMARKS	MATERIAL	PART NUMBER
④	②	5-1218055-2
④	①	5-1218055-1
③	②	1218055-2
③	①	1218055-1

THIS DRAWING IS A CONTROLLED DOCUMENT.		DWN C.C.THOMAS 23-SEP-97	Tyco Electronics Corporation Harrisburg, Pa 17105-3608	
DIMENSIONS: INCHES		CHK D. EABY 25-SEP-97		
TOLERANCES UNLESS OTHERWISE SPECIFIED:		APVD D. EABY 25-SEP-97	NAME	
0 PLC ± - 1 PLC ± - 2 PLC ± - 3 PLC ± .005[0.13] 4 PLC ± - ANGLES ± - FINISH -		PRODUCT SPEC	RECEPTACLE ASSY SURFACE MOUNT RGL, LGH	
MATERIAL		APPLICATION SPEC	SIZE A2	CAGE CODE 00779
		WEIGHT	DRAWING NO C=1218055	
		CUSTOMER DRAWING	RESTRICTED TO	
		SCALE 8:1	SHEET 1 OF 1	REV D

1218055