



Chipsmall Limited consists of a professional team with an average of over 10 year of expertise in the distribution of electronic components. Based in Hongkong, we have already established firm and mutual-benefit business relationships with customers from,Europe,America and south Asia,supplying obsolete and hard-to-find components to meet their specific needs.

With the principle of “Quality Parts,Customers Priority,Honest Operation,and Considerate Service”,our business mainly focus on the distribution of electronic components. Line cards we deal with include Microchip,ALPS,ROHM,Xilinx,Pulse,ON,Everlight and Freescale. Main products comprise IC,Modules,Potentiometer,IC Socket,Relay,Connector.Our parts cover such applications as commercial,industrial, and automotives areas.

We are looking forward to setting up business relationship with you and hope to provide you with the best service and solution. Let us make a better world for our industry!



Contact us

Tel: +86-755-8981 8866 Fax: +86-755-8427 6832

Email & Skype: info@chipsmall.com Web: www.chipsmall.com

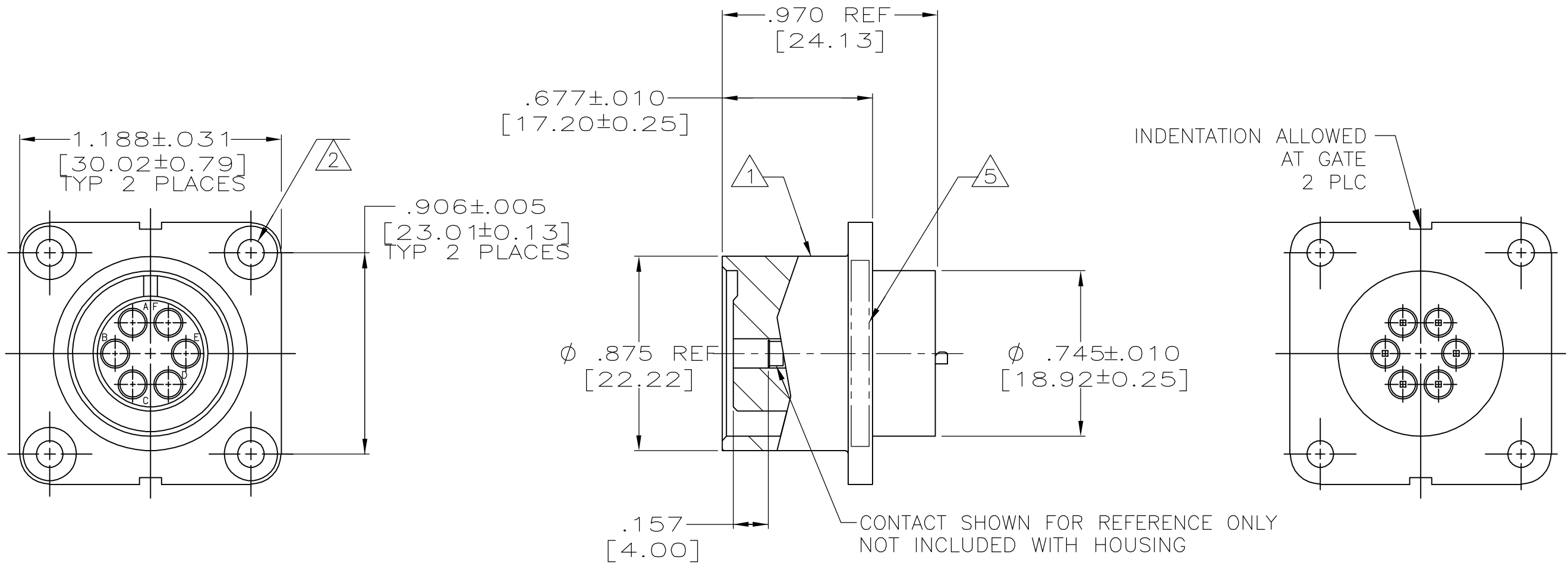
Address: A1208, Overseas Decoration Building, #122 Zhenhua RD., Futian, Shenzhen, China



THIS DRAWING IS UNPUBLISHED. RELEASED FOR PUBLICATION, 19
 © COPYRIGHT 19 BY AMP INCORPORATED. ALL INTERNATIONAL RIGHTS RESERVED.

PROD 4085
 LOC DF
 DIST SO
 P F

REVISIONS				DATE	APPD
ZONE	LTR	DESCRIPTION			
	B	REV PER ECO 06-14737 CT	6-22-06	DE	



- 1 HOUSING IS NOT PROVIDED WITH THREADED FRONT SKIRT.
- 2 $\phi .120^{+.005}_{-.001}$ HOLE WITH 82° X $\phi .243^{+.005}_{-.001}$ CSINK
 $[3.05^{+0.13}_{-0.03}]$ $[3.05^{+0.13}_{-0.03}]$
 4 PLACES
- 3. RECEPTACLE INTERFACE IS THE SAME AS MS 3102A-14S-6S EXCEPT $\phi .875$ [22.23] IS NOT THREADED.
- 4. AMP DOES NOT MANUFACTURE THE MATING PLUG AND IS NOT RESPONSIBLE FOR PIN AND SOCKET ENGAGEMENT.
- 5 MARKED PER MIL-STD-130.

1218081-1
 PART NO

DO NOT SCALE PRINT. UNLESS SPECIFIED DIMENSIONS IN INCHES [mm] TOLERANCES ON: 2 PLC DEC ± .01 [0.25] 3 PLC DEC ± .005 [0.13] ANGLES ± _____	DR 10-14-97 C.C.THOMAS	AMP Incorporated Harrisburg, PA 17105-3608 NAME RCPT HOUSING, 6 POSN., LGH, SPECIAL 4mm RECESS SIZE B CAGE CODE 00779 DRAWING NO 1218081 SCALE 2:1 SHEET 1 OF 1
	CHK 10-16-97 D. EABY	
	APPD 10-16-97 D. EABY	
	RLSE 10-16-97 C.C.THOMAS	
MATERIAL HOUSING: BLACK POLYESTER THERMO PLASTIC	PRODUCT SPEC -	
FINISH _____	APPLICATION SPEC -	
	WEIGHT -	