



Chipsmall Limited consists of a professional team with an average of over 10 year of expertise in the distribution of electronic components. Based in Hongkong, we have already established firm and mutual-benefit business relationships with customers from,Europe,America and south Asia,supplying obsolete and hard-to-find components to meet their specific needs.

With the principle of “Quality Parts,Customers Priority,Honest Operation,and Considerate Service”,our business mainly focus on the distribution of electronic components. Line cards we deal with include Microchip,ALPS,ROHM,Xilinx,Pulse,ON,Everlight and Freescale. Main products comprise IC,Modules,Potentiometer,IC Socket,Relay,Connector.Our parts cover such applications as commercial,industrial, and automotives areas.

We are looking forward to setting up business relationship with you and hope to provide you with the best service and solution. Let us make a better world for our industry!



Contact us

Tel: +86-755-8981 8866 Fax: +86-755-8427 6832

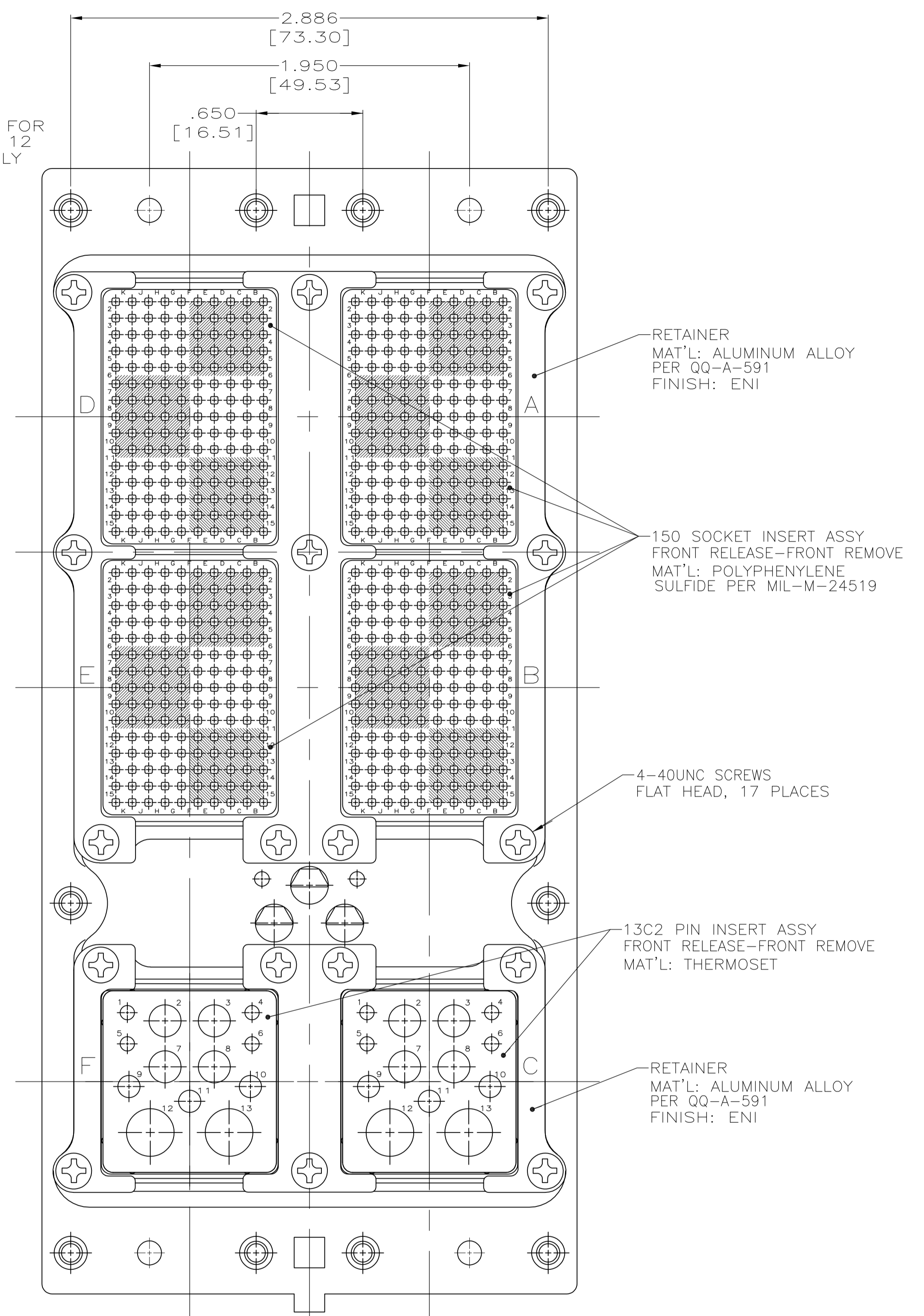
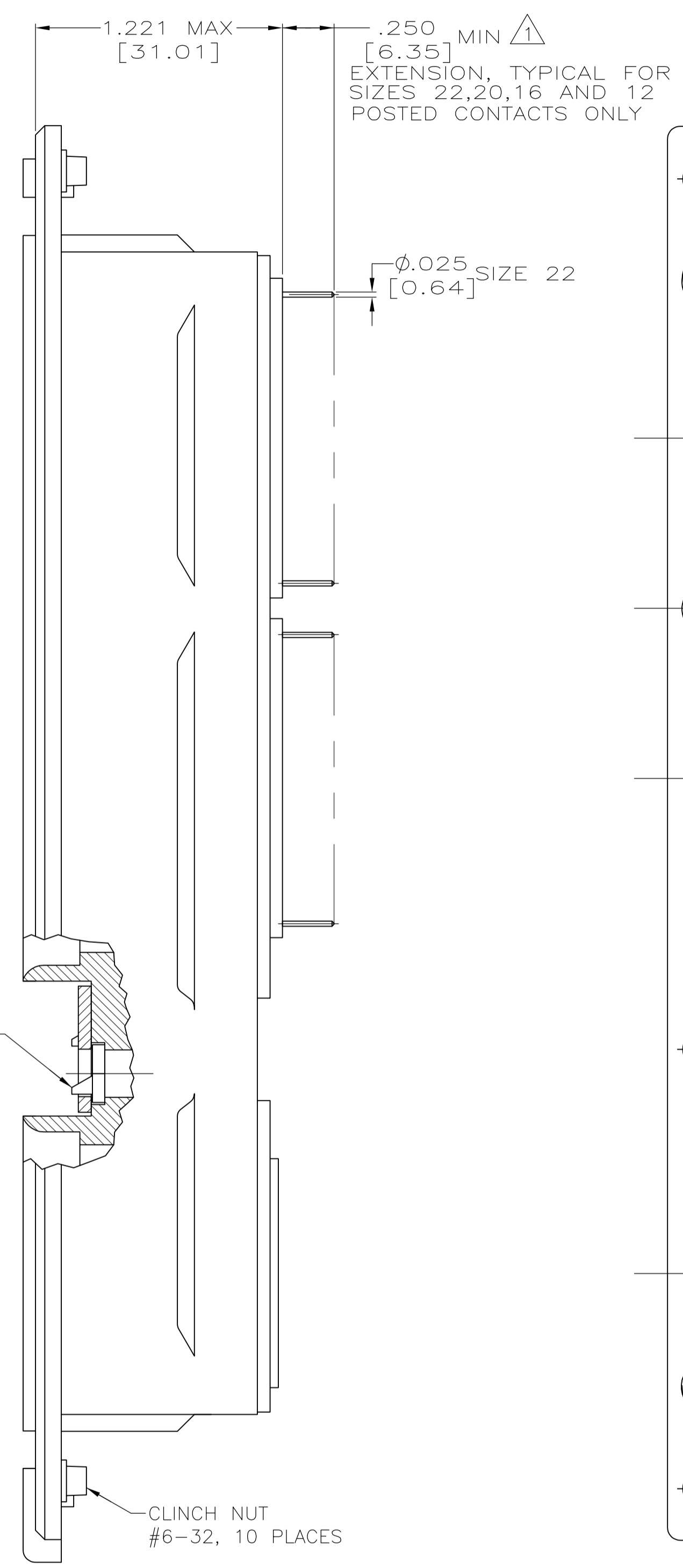
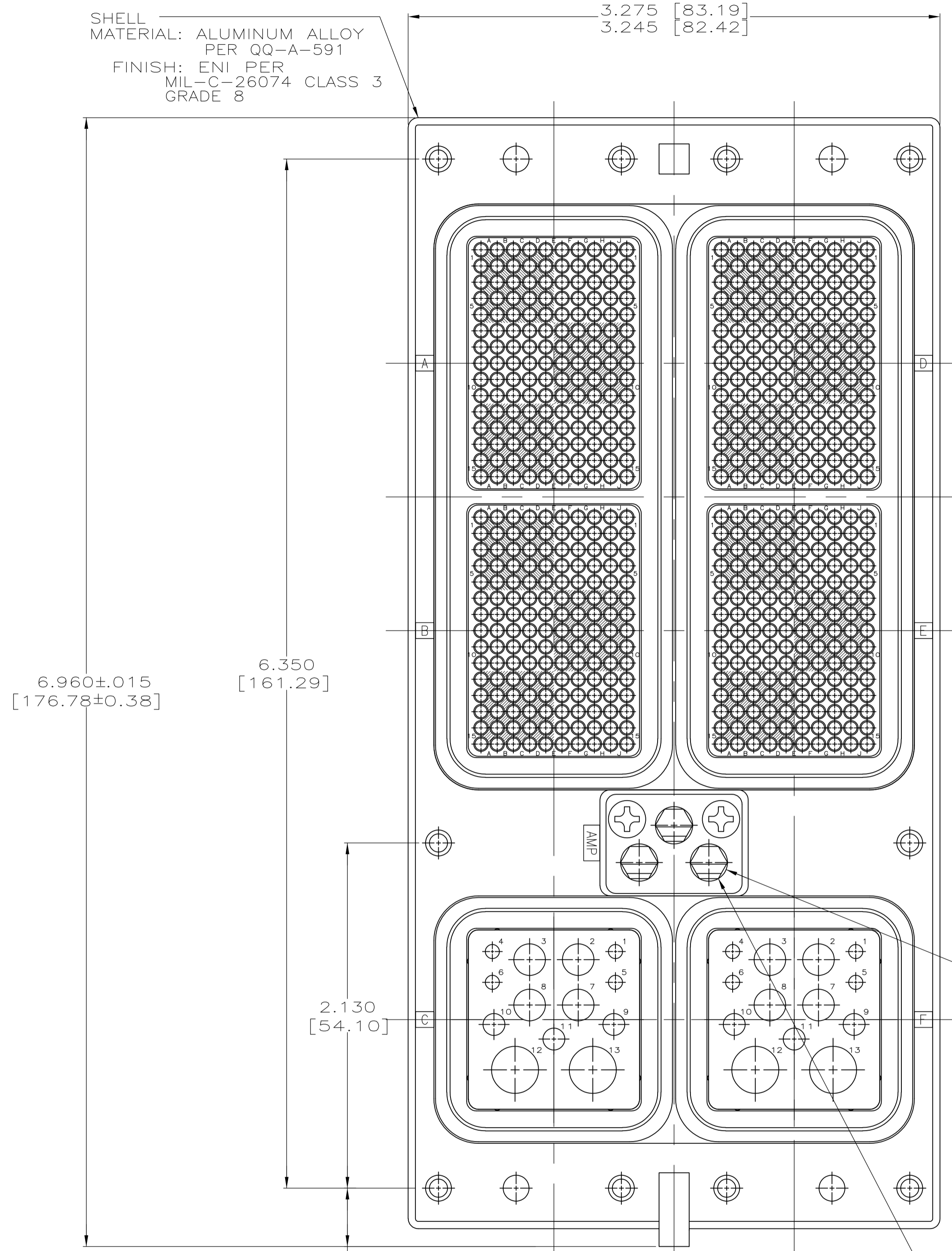
Email & Skype: info@chipsmall.com Web: www.chipsmall.com

Address: A1208, Overseas Decoration Building, #122 Zhenhua RD., Futian, Shenzhen, China



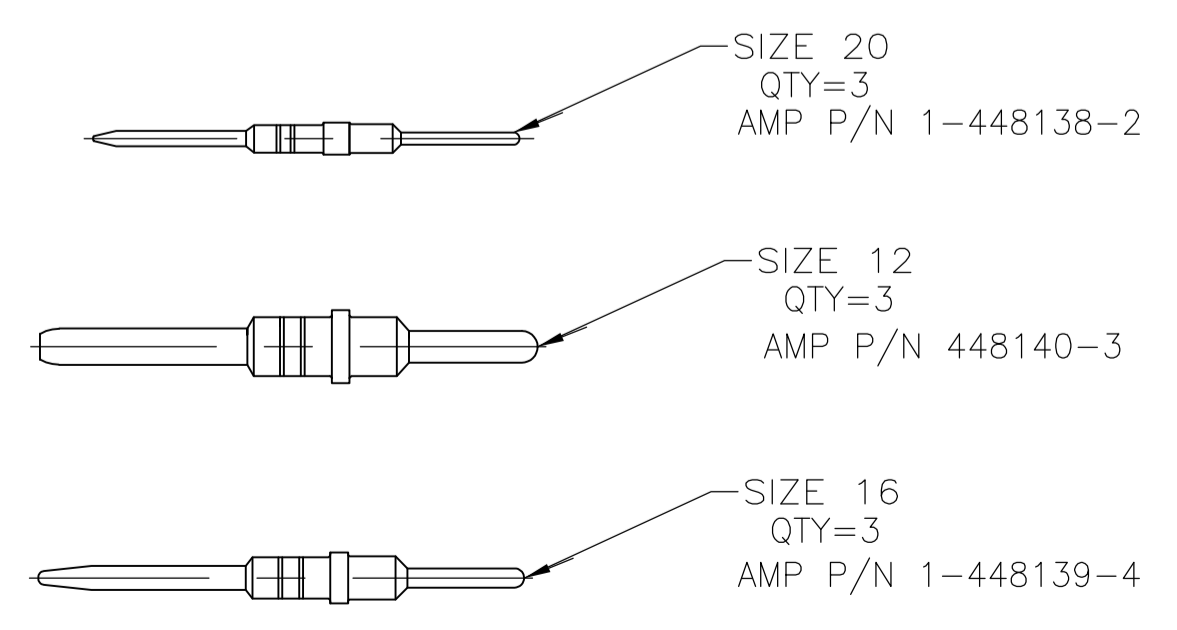
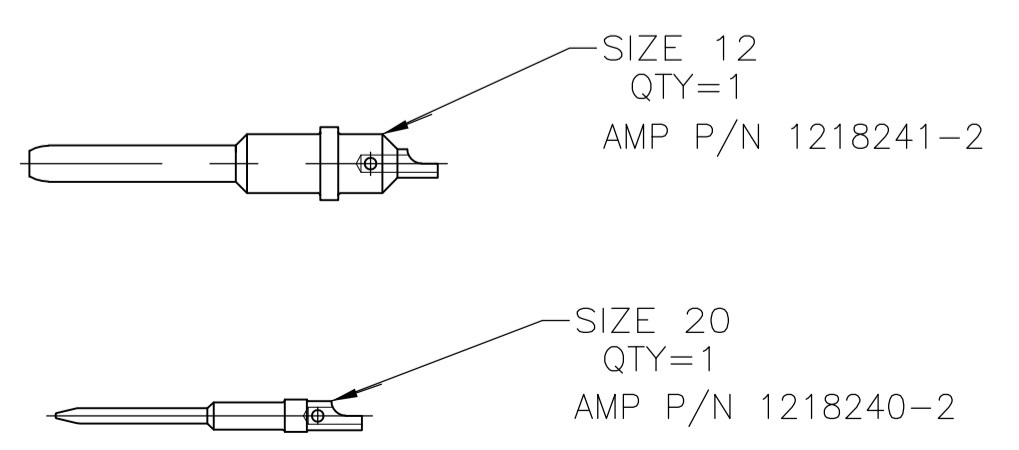
REVISONS		DATE	BY	APVD
LOC	DIST			
K	REV PER ECO	12-014358	8-7-12	CT WB

SHELL MATERIAL: ALUMINUM ALLOY PER QQ-A-591
FINISH: ENI PER MIL-C-26074 CLASS 3 GRADE 8



POLARIZATION KEYWAYS MAT'L: ZINC ALLOY PER ASTM-B-86
RETAINER PLATE MAT'L: ALUMINUM ALLOY PER AMS-QQ-A-250 FINISH: BLUE ANODIZED PER MIL-A-8625

CONNECTOR IS SUPPLIED WITH CONTACTS AS LISTED IN TABLE.
CONNECTOR IS SUPPLIED WITH KEYING ASSEMBLED IN POSITION "01".



CONTACTS INCLUDED AND NOT INSTALLED	CONTACTS INCLUDED AND INSTALLED	PART NUMBER
1218241-2 AND 1218240-2	SZ 22 NON-REMOVABLE CONTACTS (150 INSERTS)	1218098-3
1218241-2 AND 1218240-2	211431-4 (SIZE 22)	1218098-2
1-448139-4 1-448138-2 AND 448140-3 1218241-2 AND 1218240-2	211431-4 (SIZE 22)	1218098-1

THIS DRAWING IS A CONTROLLED DOCUMENT.		DIN J.A. BAKER 12-11-97		STE TE Connectivity	
DIMENSIONS: INCHES		CHK A. SHARPE 12-11-97		NAME	
TOLERANCES UNLESS OTHERWISE SPECIFIED:		APVD A. SHARPE 12-11-97		RECEPTACLE ASSEMBLY, SIZE 3, ARINC 600	
0 PLC ± -	1 PLC ± -	APPLICATION SPEC		SIZE CAGE CODE DRAWING NO	
2 PLC ± -	3 PLC ± -	WEIGHT		A1 00779 C=1218098	
4 PLC ± -	ANGLES ± -	CUSTOMER DRAWING		SCALE 2:1 SHEET 1 OF 1 REV K	