



Chipsmall Limited consists of a professional team with an average of over 10 year of expertise in the distribution of electronic components. Based in Hongkong, we have already established firm and mutual-benefit business relationships with customers from,Europe,America and south Asia,supplying obsolete and hard-to-find components to meet their specific needs.

With the principle of “Quality Parts,Customers Priority,Honest Operation,and Considerate Service”,our business mainly focus on the distribution of electronic components. Line cards we deal with include Microchip,ALPS,ROHM,Xilinx,Pulse,ON,Everlight and Freescale. Main products comprise IC,Modules,Potentiometer,IC Socket,Relay,Connector.Our parts cover such applications as commercial,industrial, and automotives areas.

We are looking forward to setting up business relationship with you and hope to provide you with the best service and solution. Let us make a better world for our industry!



## Contact us

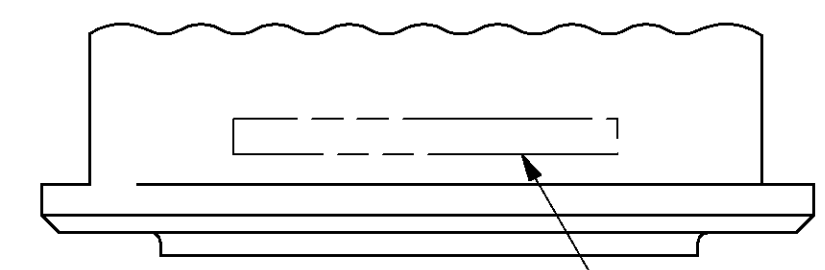
Tel: +86-755-8981 8866 Fax: +86-755-8427 6832

Email & Skype: info@chipsmall.com Web: www.chipsmall.com

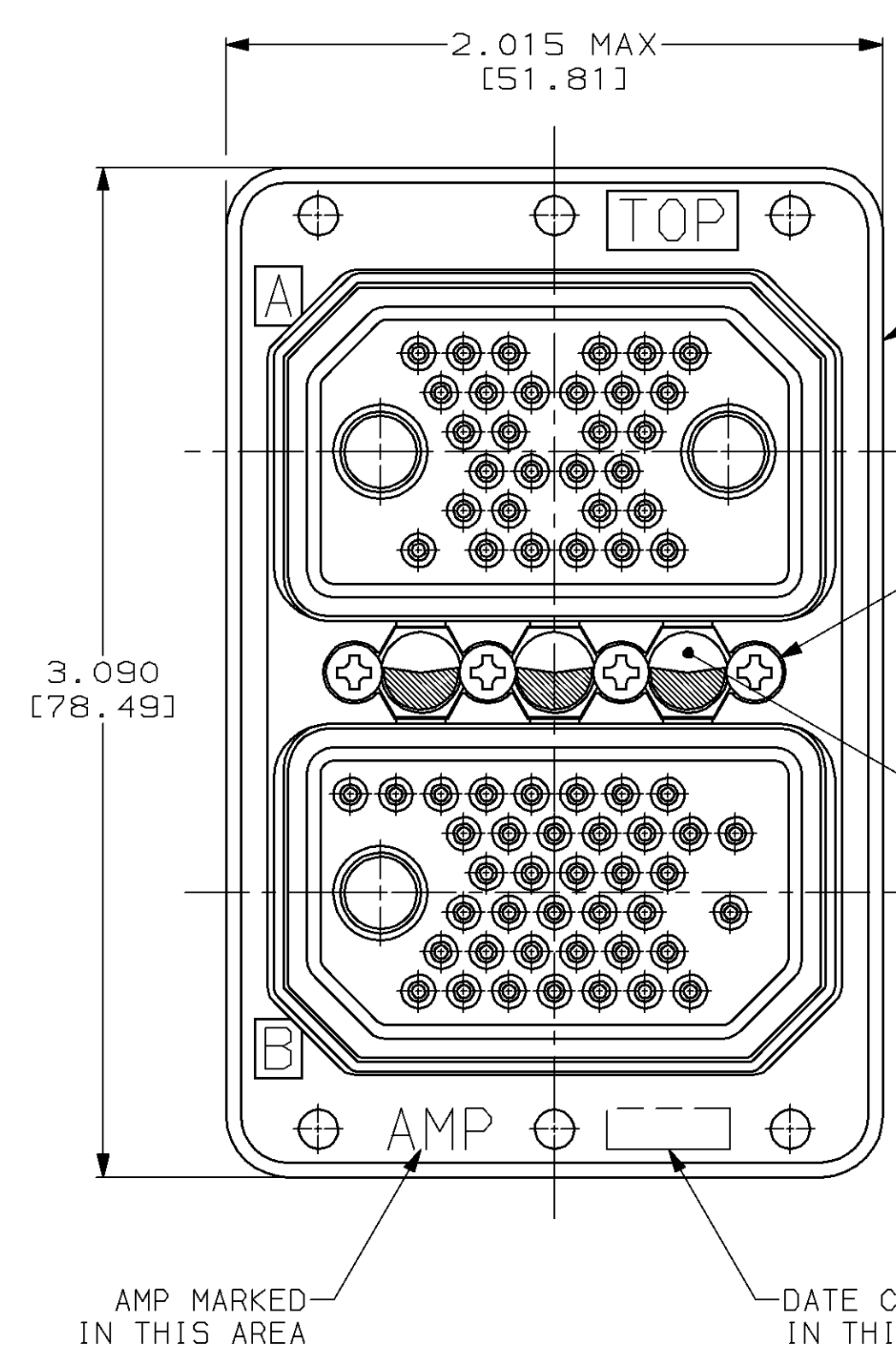
Address: A1208, Overseas Decoration Building, #122 Zhenhua RD., Futian, Shenzhen, China



| LOC |    | DIST |     | REVISIONS                 |      |     |      |
|-----|----|------|-----|---------------------------|------|-----|------|
| DF  | AO | P    | LTR | DESCRIPTION               | DATE | DMN | APVD |
|     |    | 0    |     | RELEASED PER 0600-7112-98 | 3-98 | CT  | JW   |



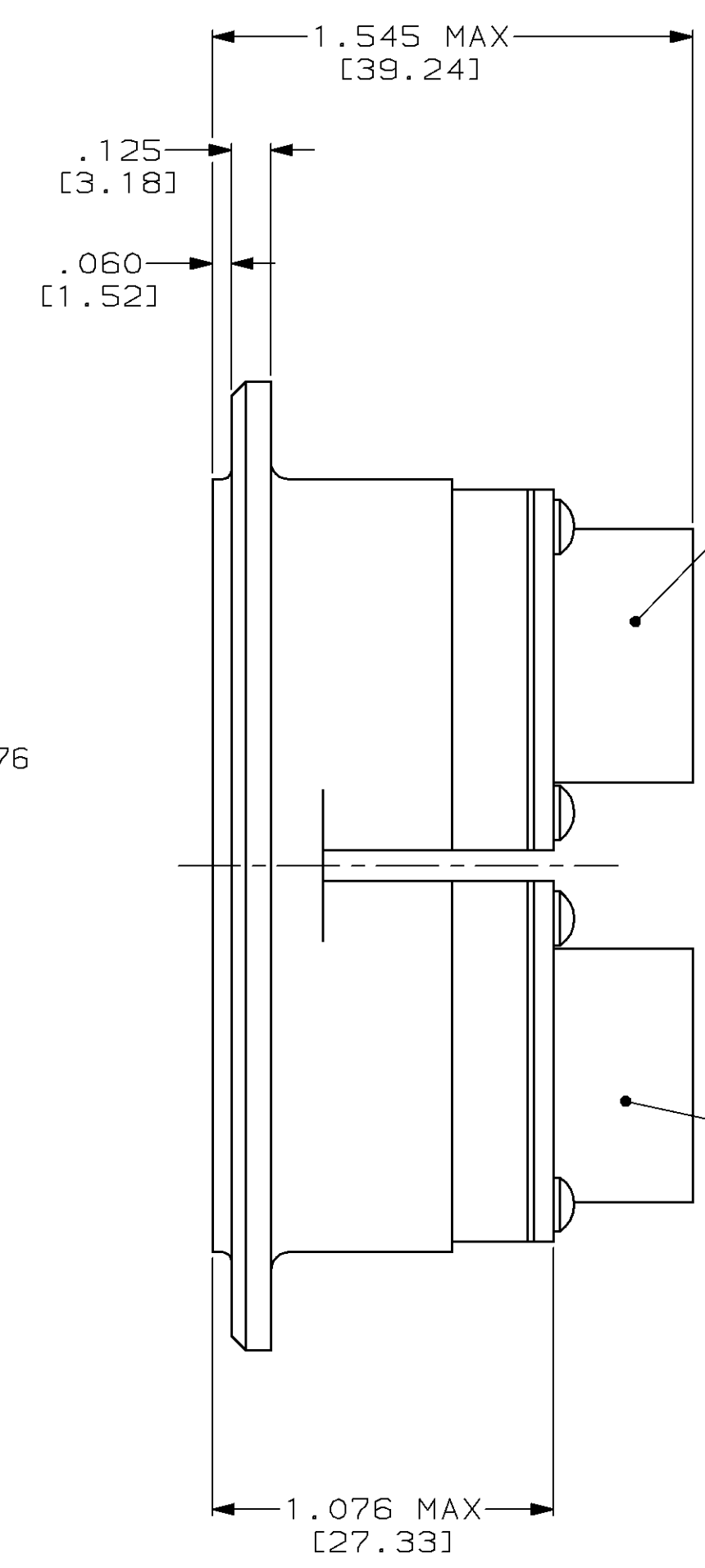
AMP PART NUMBER MARKED IN THIS AREA



RECEPTACLE SHELL  
MATERIAL: ALUMINUM PER QQ-A-591  
FINISH: CADMIUM PLATED PER QQ-P-416  
COLOR: YELLOW CHROMATE

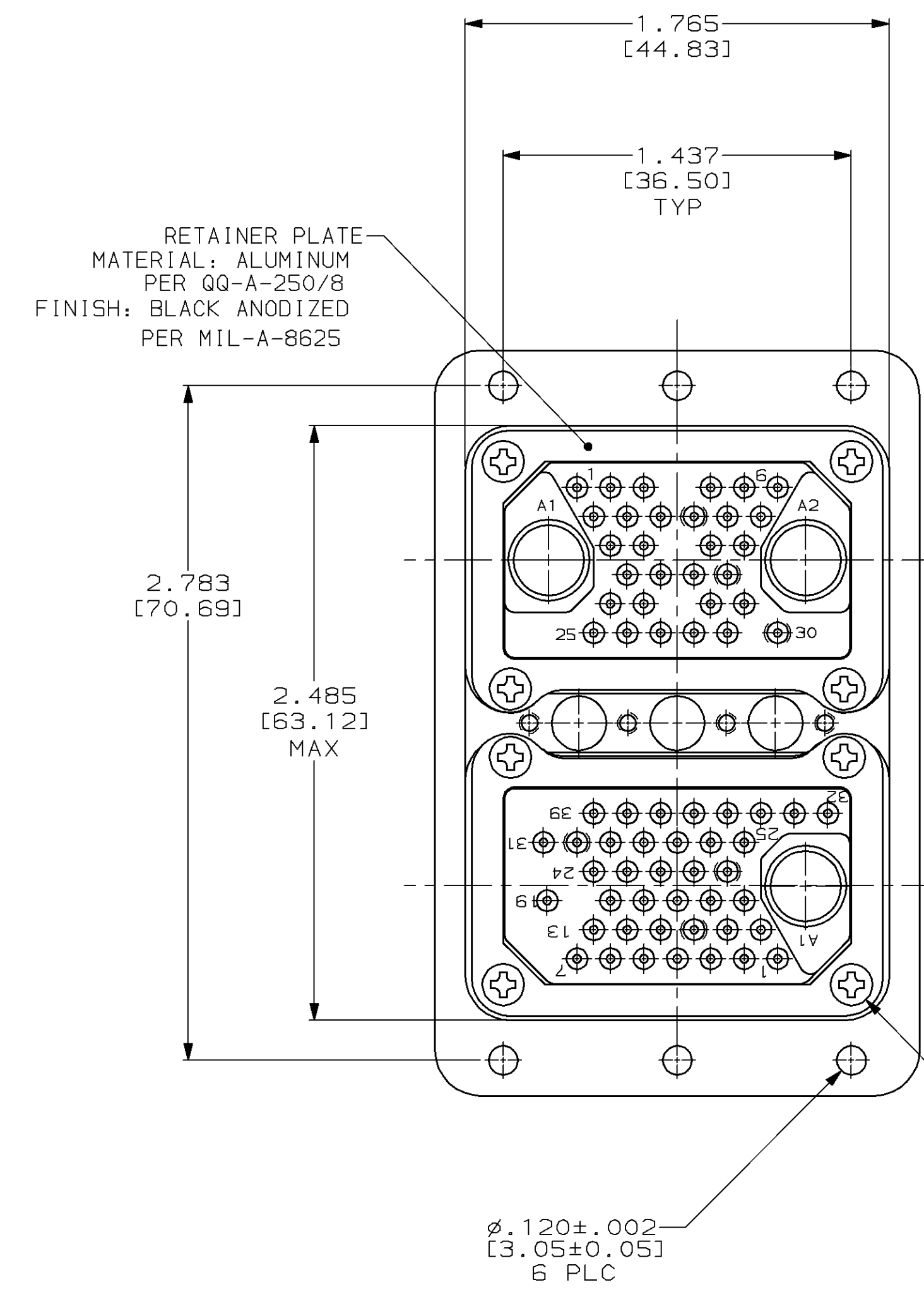
SCREW, 4 REQUIRED  
MATERIAL: STAINLESS STEEL PER QQ-S-776  
FINISH: PASSIVATED PER QQ-P-358

KEYING INSERT, 3 REQUIRED  
MATERIAL: ALUMINUM PER QQ-A-200  
FINISH: CADMIUM PLATED PER QQ-P-416  
YELLOW CHROMATE



INSERT ASSY, 32C2P  
MATERIAL: EPOXY  
COLOR: BLACK

INSERT ASSY, 40C1P  
MATERIAL: EPOXY  
COLOR: BLACK



SCREW & LOCKWASHER (QTY=8)  
MATERIAL: STAINLESS STEEL PER QQ-S-766  
FINISH: PASSIVATED PER QQ-P-358

- 1 KEYING IS SET IN POSITION "01".
- 2. CONNECTOR IS SUPPLIED WITHOUT CONTACTS.

1218145-1  
PART NO.

|  |                        |                               |   |
|--|------------------------|-------------------------------|---|
| THIS DRAWING IS A CONTROLLED DOCUMENT. |                        | DMN<br>C. C. THOMAS<br>3/9/98 | AMP Incorporated<br>Harrisburg, PA 17105-3508               |
| DIMENSIONS (INCHES [mm])               |                        | CHK<br>J. WEAVER<br>3-25-98   | NAME<br>J. WEAVER<br>3-25-98                                |
| TOLERANCES UNLESS OTHERWISE SPECIFIED: |                        | APVD<br>J. WEAVER<br>3-25-98  | PRODUCT SPEC  |
| 0 PLC ±-                               | 1 PLC ±-               | APPLICATION SPEC              | ASSEMBLY, ARINC 404 RECEPTACLE<br>PM2R32C2P40C1P-0001 (201) |
| 2 PLC ±-                               | 3 PLC ±.005 (0.13)     | SIZE                          | A1  |
| 4 PLC ±-                               | ANGLES ±-              | SCALE                         | 2:1   |
| MATERIAL<br>SEE CALLOUTS               | FINISH<br>SEE CALLOUTS | WEIGHT                        | 100779  |
| CUSTOMER DRAWING                       |                        | SCALE                         | 2:1   |
|  |                        | SHEET                         | 1 OF 1  |
|  |                        | REV                           | 0   |