



Chipsmall Limited consists of a professional team with an average of over 10 year of expertise in the distribution of electronic components. Based in Hongkong, we have already established firm and mutual-benefit business relationships with customers from,Europe,America and south Asia,supplying obsolete and hard-to-find components to meet their specific needs.

With the principle of “Quality Parts,Customers Priority,Honest Operation,and Considerate Service”,our business mainly focus on the distribution of electronic components. Line cards we deal with include Microchip,ALPS,ROHM,Xilinx,Pulse,ON,Everlight and Freescale. Main products comprise IC,Modules,Potentiometer,IC Socket,Relay,Connector.Our parts cover such applications as commercial,industrial, and automotives areas.

We are looking forward to setting up business relationship with you and hope to provide you with the best service and solution. Let us make a better world for our industry!



## Contact us

Tel: +86-755-8981 8866 Fax: +86-755-8427 6832

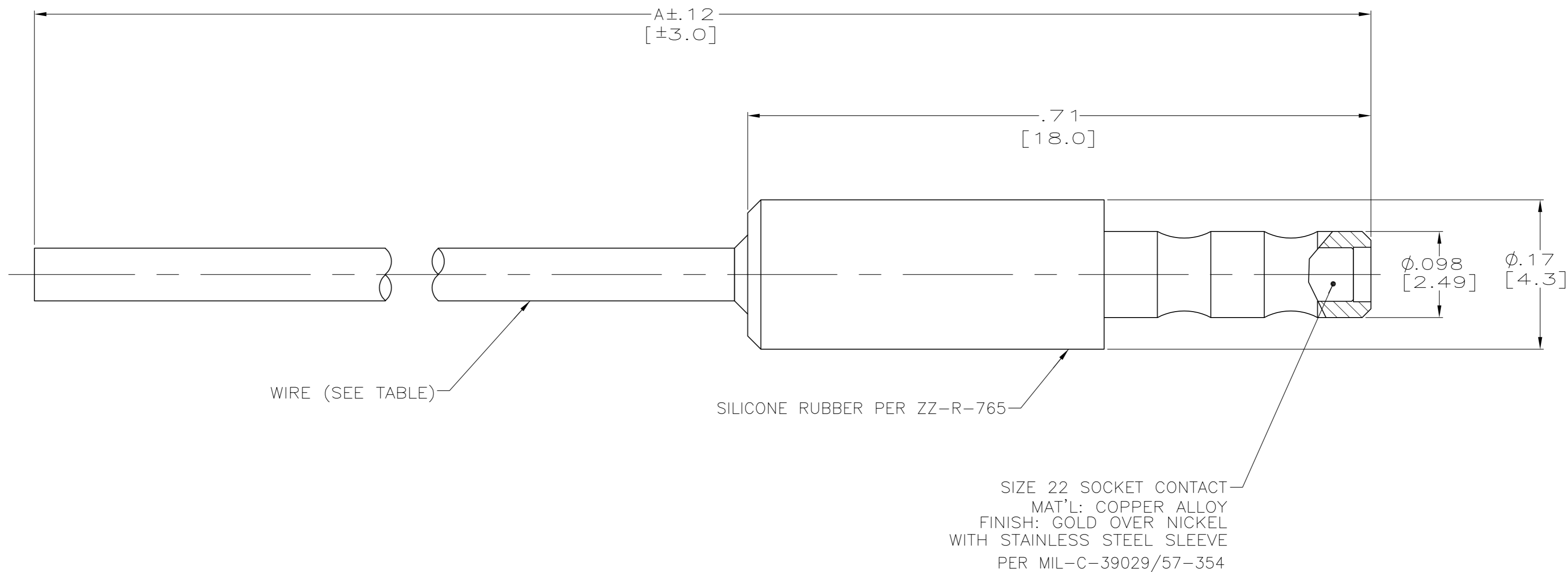
Email & Skype: info@chipsmall.com Web: www.chipsmall.com

Address: A1208, Overseas Decoration Building, #122 Zhenhua RD., Futian, Shenzhen, China



THIS DRAWING IS UNPUBLISHED. RELEASED FOR PUBLICATION  
 © COPYRIGHT - By - ALL RIGHTS RESERVED.

LOC		DIST		REVISIONS			
P	LTR	DESCRIPTION		DATE	DWN	APVD	
	C	REV PER ECO-12-013186		18JUL12	PY	DE	



- OPERATING VOLTAGE: 6 KVDC  
TEMPERATURE RANGE: -55° C TO +125° C  
ALTITUDE: SEA LEVEL TO 70,000 FEET
- THIS PLUG WILL MATE WITH AMP PART NO. 1218148.
- 100% TESTING FOR DWV AND PARTIAL DISCHARGE PER RAYTHEON SPEC. G718649, GROUP A.
- 100% TESTING FOR DWV AND PARTIAL DISCHARGE PER RAYTHEON SPEC. G719581, GROUP A.

REMARKS	DIM A	WIRE DESCRIPTION	PART NUMBER
OBSOLETE	4	#24 GA SILICONE COATED FEP .060 O.D. COLOR: RED	1218147-3
	3	#24 GA SILICONE COATED FEP .060 O.D. COLOR: RED	1218147-2
	-	#24 GA SILICONE COATED FEP .060 O.D. COLOR: RED	1218147-1

THIS DRAWING IS A CONTROLLED DOCUMENT.		DWN C.C.THOMAS 2-9-98	<b>STE</b> TE Connectivity	
DIMENSIONS: INCHES		CHK D.EABY 2-11-98		
TOLERANCES UNLESS OTHERWISE SPECIFIED:		APVD D.EABY 2-11-98	NAME PLUG,MICRO-MIN,LGH	
0 PLC ± - 1 PLC ± - 2 PLC ± .01 [0.3] 3 PLC ± .005 [0.13] 4 PLC ± - ANGLES ± -		PRODUCT SPEC -	-	
MATERIAL -		FINISH -	WEIGHT -	RESTRICTED TO -
		SIZE A2	CAGE CODE 00779	DRAWING NO 1218147
		CUSTOMER DRAWING		SCALE 10:1 SHEET 1 of 1 REV C