



Chipsmall Limited consists of a professional team with an average of over 10 year of expertise in the distribution of electronic components. Based in Hongkong, we have already established firm and mutual-benefit business relationships with customers from,Europe,America and south Asia,supplying obsolete and hard-to-find components to meet their specific needs.

With the principle of “Quality Parts,Customers Priority,Honest Operation,and Considerate Service”,our business mainly focus on the distribution of electronic components. Line cards we deal with include Microchip,ALPS,ROHM,Xilinx,Pulse,ON,Everlight and Freescale. Main products comprise IC,Modules,Potentiometer,IC Socket,Relay,Connector.Our parts cover such applications as commercial,industrial, and automotives areas.

We are looking forward to setting up business relationship with you and hope to provide you with the best service and solution. Let us make a better world for our industry!



## Contact us

Tel: +86-755-8981 8866 Fax: +86-755-8427 6832

Email & Skype: info@chipsmall.com Web: www.chipsmall.com

Address: A1208, Overseas Decoration Building, #122 Zhenhua RD., Futian, Shenzhen, China



THIS DRAWING IS UNPUBLISHED. RELEASED FOR PUBLICATION  
 © COPYRIGHT 19 BY AMP INCORPORATED. ALL RIGHTS RESERVED.

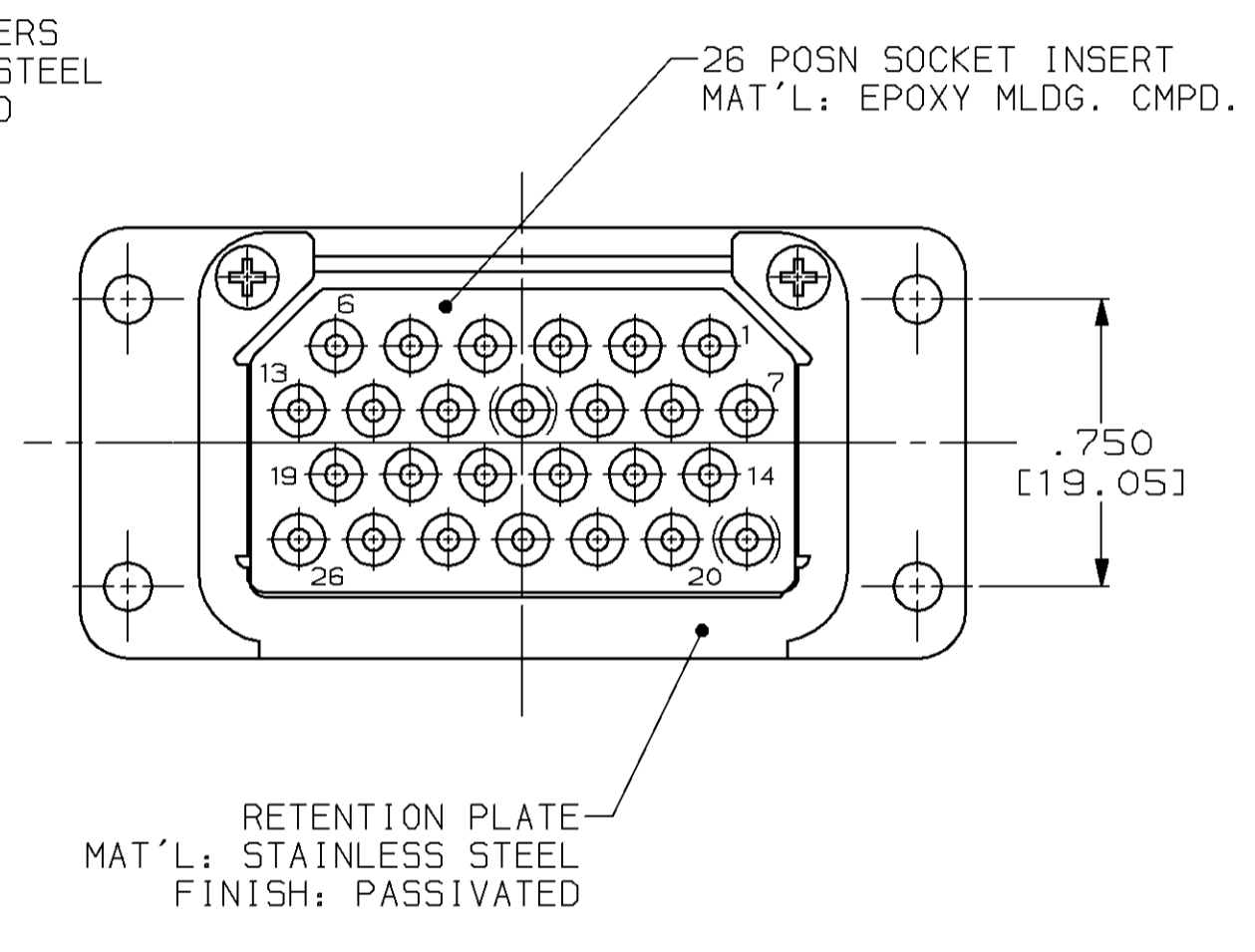
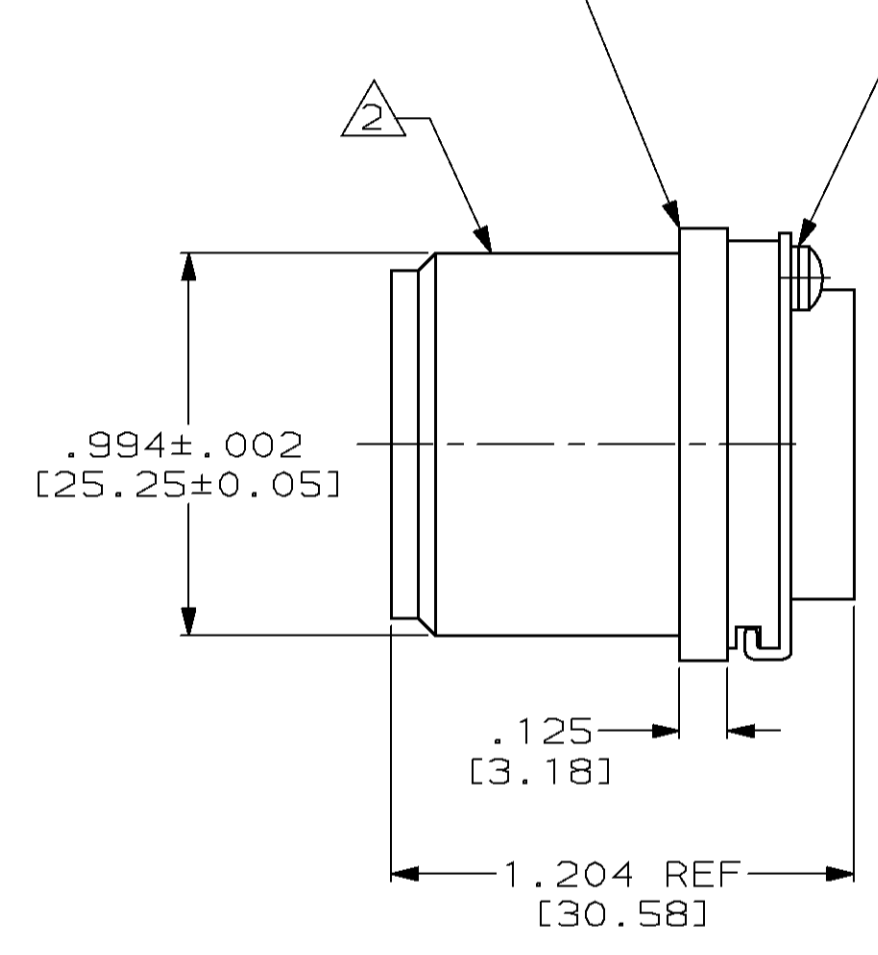
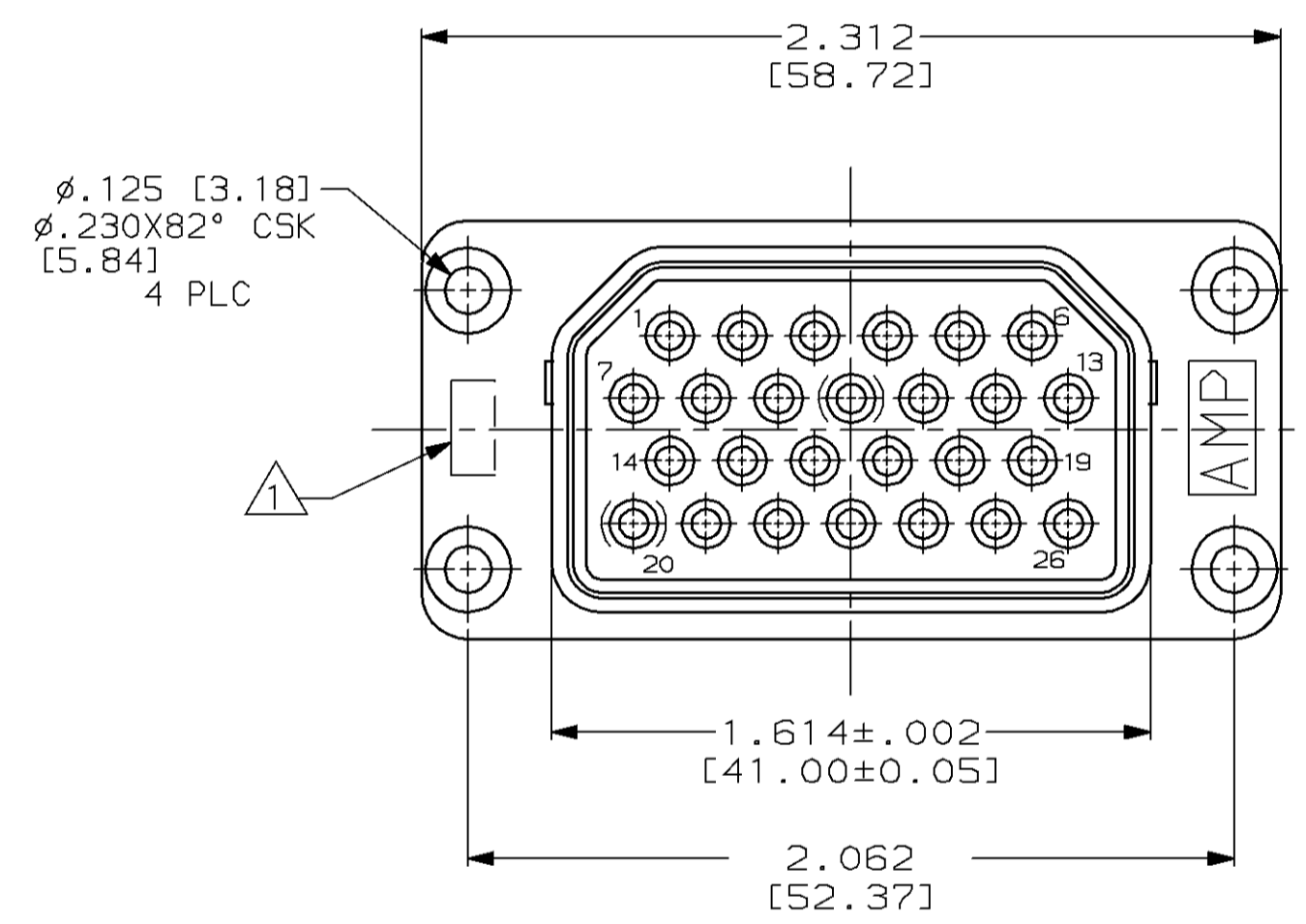
LOC		DIST		REVISIONS			
P	LTR	DESCRIPTION	DATE	DWN	APVD		
0		RELEASED PER 0600-7374-98	7-98	CT	DB		

PLUG SHELL  
 MAT'L: ALUMINUM ALLOY  
 FINISH: CADMIUM PLATED; YELLOW CHROMATE

SCREWS & LOCKWASHERS  
 MAT'L: STAINLESS STEEL  
 FINISH: PASSIVATED

26 POSN SOCKET INSERT  
 MAT'L: EPOXY MLDG. CMPD.

RETENTION PLATE  
 MAT'L: STAINLESS STEEL  
 FINISH: PASSIVATED



- 1 DATE CODE MARKED IN THIS AREA.
- 2 AMP PART NUMBER MARKED ON THIS SURFACE.
- 3. THIS CONNECTOR IS SHIPPED WITHOUT CONTACTS.

1218201-1  
 PART NO.

THIS DRAWING IS A CONTROLLED DOCUMENT.		DWN C.C.THOMAS 7-30-98	AMP Incorporated Harrisburg, PA 17105-3608	
DIMENSIONS: INCHES [mm]		CHK R.GROSS 7-30-98	NAME PLUG ASSY, ARINC 404, RMA1P265-00 (201)	
TOLERANCES UNLESS OTHERWISE SPECIFIED:		APVD R.GROSS 7-30-98	SIZE A2	CAGE CODE 00779
0 PLC ±-		PRODUCT SPEC	DRAWING NO 1218201	RESTRICTED TO
1 PLC ±-		APPLICATION SPEC	SCALE 2:1	SHEET 1 OF 1
2 PLC ±-		WEIGHT -	REV 0	
3 PLC ±.005 [0.13]		CUSTOMER DRAWING		
4 PLC ±-				
ANGLES ±-				
FINISH SEE CALLOUTS				