



Chipsmall Limited consists of a professional team with an average of over 10 year of expertise in the distribution of electronic components. Based in Hongkong, we have already established firm and mutual-benefit business relationships with customers from,Europe,America and south Asia,supplying obsolete and hard-to-find components to meet their specific needs.

With the principle of “Quality Parts,Customers Priority,Honest Operation,and Considerate Service”,our business mainly focus on the distribution of electronic components. Line cards we deal with include Microchip,ALPS,ROHM,Xilinx,Pulse,ON,Everlight and Freescale. Main products comprise IC,Modules,Potentiometer,IC Socket,Relay,Connector.Our parts cover such applications as commercial,industrial, and automotives areas.

We are looking forward to setting up business relationship with you and hope to provide you with the best service and solution. Let us make a better world for our industry!



Contact us

Tel: +86-755-8981 8866 Fax: +86-755-8427 6832

Email & Skype: info@chipsmall.com Web: www.chipsmall.com

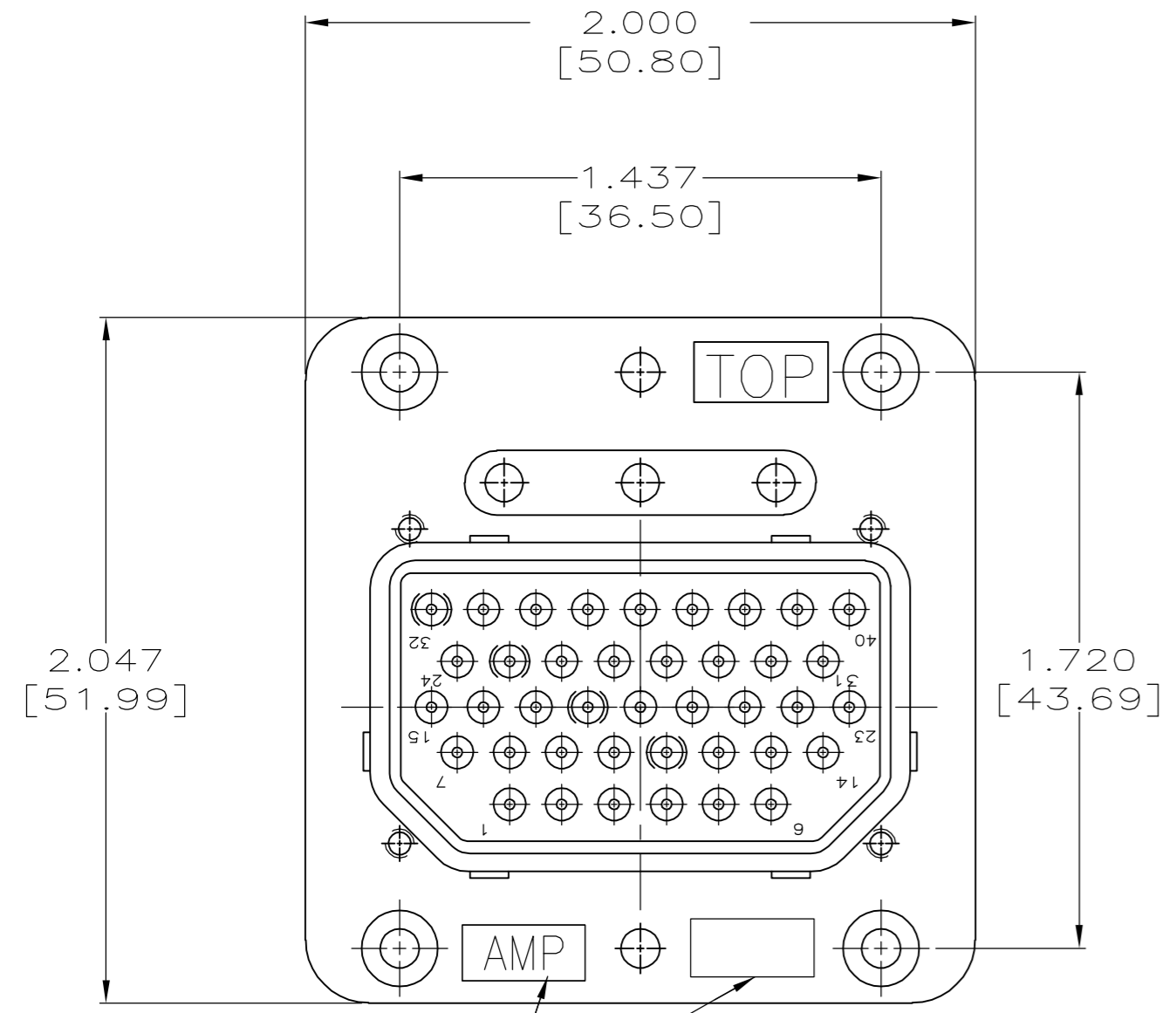
Address: A1208, Overseas Decoration Building, #122 Zhenhua RD., Futian, Shenzhen, China



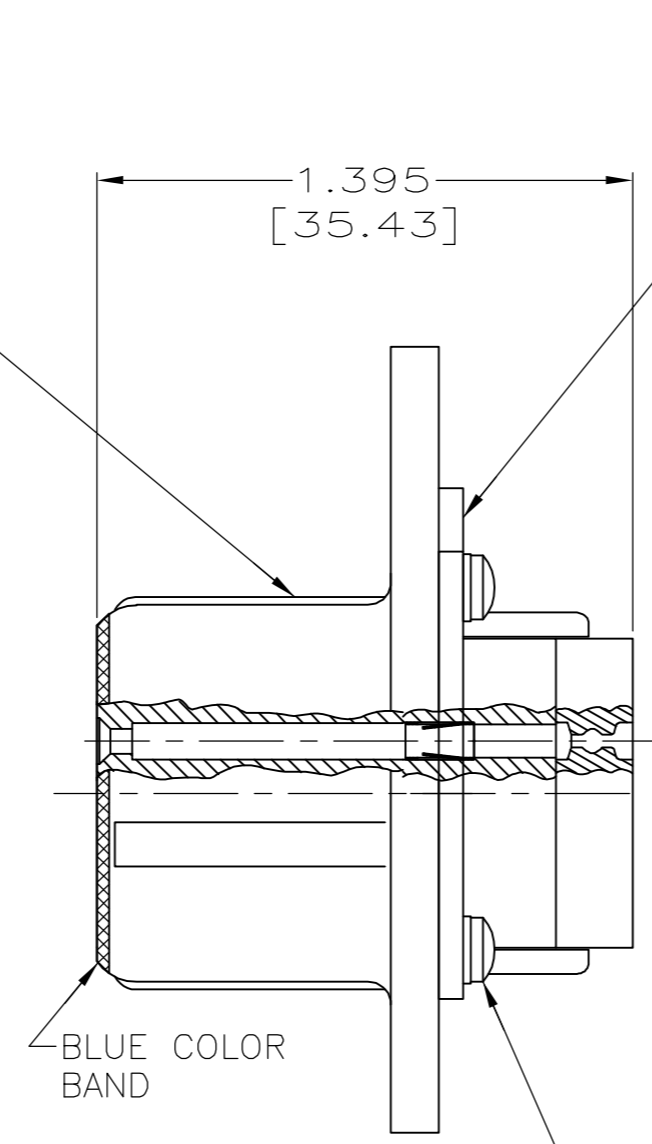
THIS DRAWING IS UNPUBLISHED. RELEASED FOR PUBLICATION
 © COPYRIGHT BY TYCO ELECTRONICS CORPORATION. ALL RIGHTS RESERVED.

LOC		DIST		REVISIONS			
P	LTR	DESCRIPTION		DATE	DWN	APVD	
	B	REV PER OH14-0208-04		22SEP05	TK	CT	

⚠ MARK AMP, AMP PART NUMBER AND DATE CODE IN AREA SHOWN.



⚠ 1
PART NUMBER



RETAINER PLATE
 MATL: ALUMINUM ALLOY
 FINISH: BLUE ANODIZED

PLUG SHELL
 MATL: ALUMINUM ALLOY
 FINISH: CADMIUM PLATED, YELLOW CHROMATE

40S INSERT
 MATL: EPOXY MLDG CMPD

SCREWS & LOCKWASHERS
 MATL: STAINLESS STEEL
 FINISH: PASSIVATED

Ø.120±.002
 [3.05±0.05]
 2 PLC

THIS DRAWING IS A CONTROLLED DOCUMENT.		DWN	T. THOMPSON	17JUN98	 Tyco Electronics Corporation Harrisburg, PA 17105-3608
DIMENSIONS:		CHK	J. WEAVER	17JUN98	
INCHES		APVD	J. WEAVER	17JUN98	
		PRODUCT SPEC			
TOLERANCES UNLESS OTHERWISE SPECIFIED:		APPLICATION SPEC			
0 PLC ± -		WEIGHT	-		
1 PLC ± -		SCALE	A2 00779 C=1218230		
2 PLC ± -		SHEET	1 of 1		
3 PLC ± .005[0.13]		REV	B		
4 PLC ± -		CUSTOMER DRAWING			
ANGLES ± -					
FINISH					

1218230