



Chipsmall Limited consists of a professional team with an average of over 10 year of expertise in the distribution of electronic components. Based in Hongkong, we have already established firm and mutual-benefit business relationships with customers from,Europe,America and south Asia,supplying obsolete and hard-to-find components to meet their specific needs.

With the principle of “Quality Parts,Customers Priority,Honest Operation,and Considerate Service”,our business mainly focus on the distribution of electronic components. Line cards we deal with include Microchip,ALPS,ROHM,Xilinx,Pulse,ON,Everlight and Freescale. Main products comprise IC,Modules,Potentiometer,IC Socket,Relay,Connector.Our parts cover such applications as commercial,industrial, and automotives areas.

We are looking forward to setting up business relationship with you and hope to provide you with the best service and solution. Let us make a better world for our industry!



Contact us

Tel: +86-755-8981 8866 Fax: +86-755-8427 6832

Email & Skype: info@chipsmall.com Web: www.chipsmall.com

Address: A1208, Overseas Decoration Building, #122 Zhenhua RD., Futian, Shenzhen, China

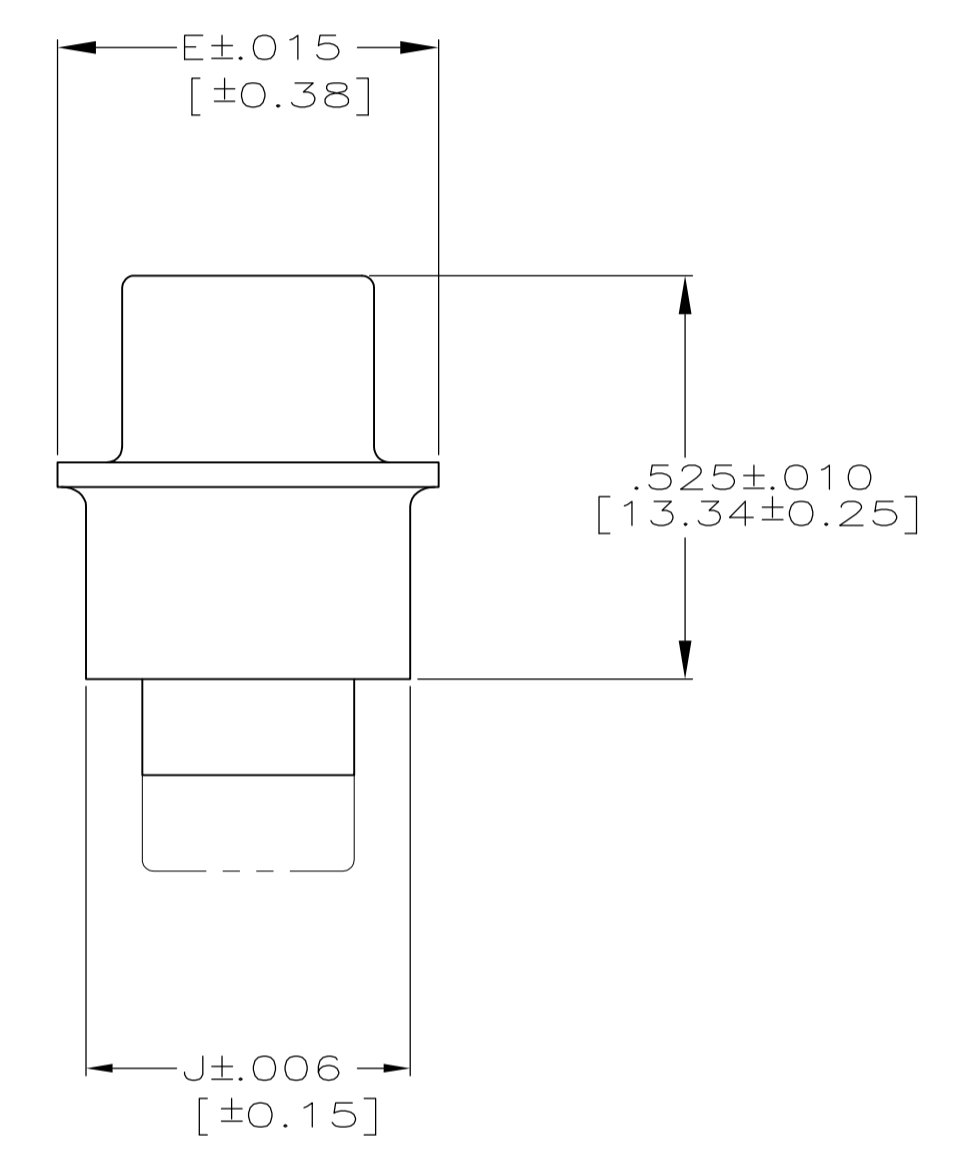
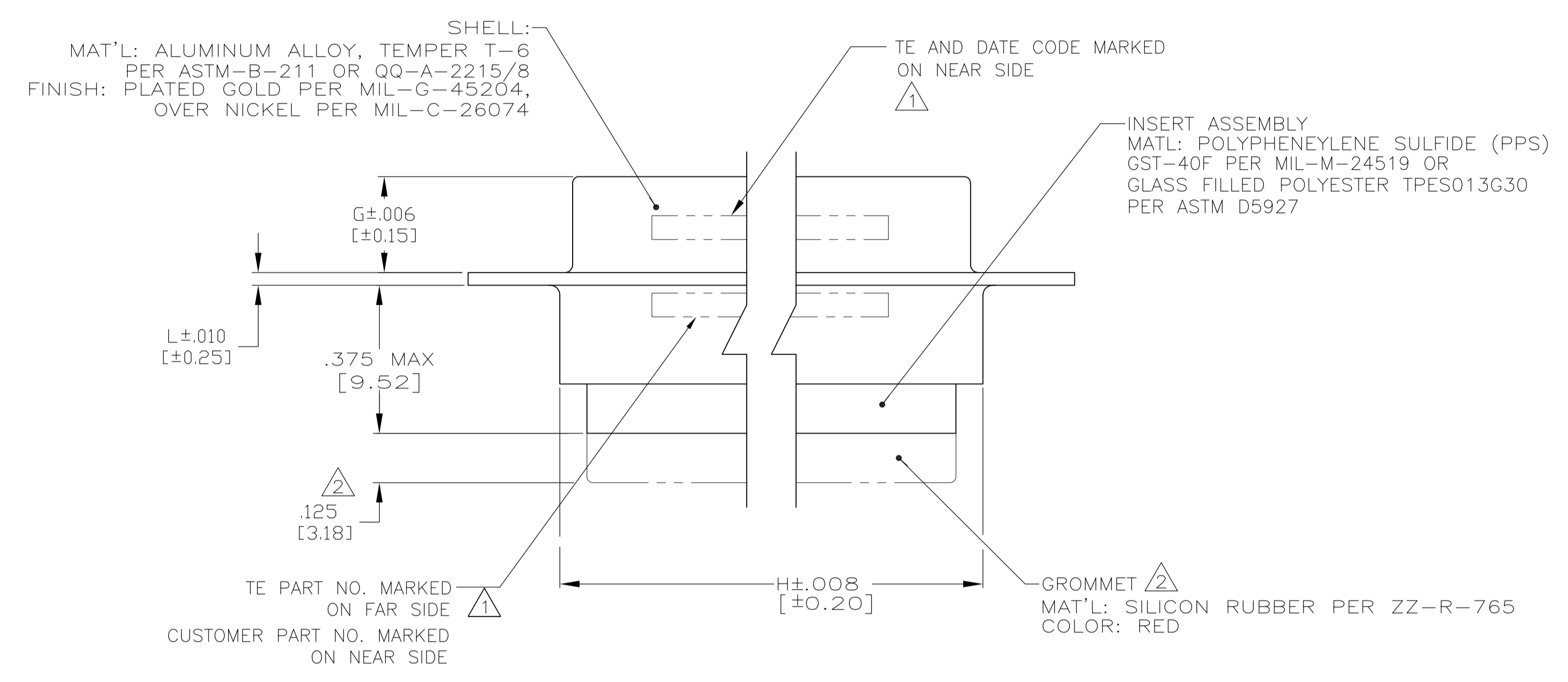
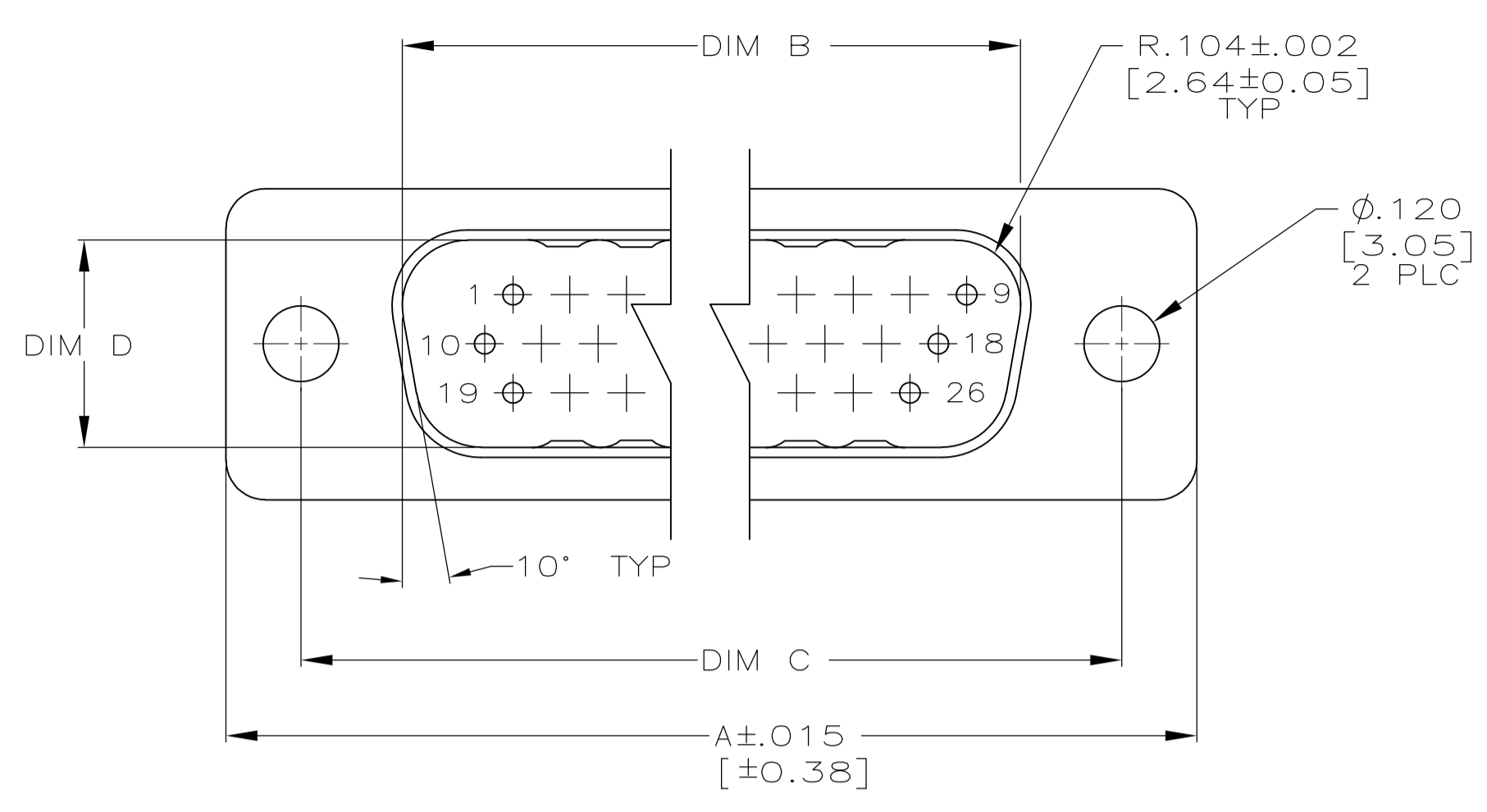


- 1. MARKED WITH .047 [1.19] HIGH CHARACTERS. FAR SIDE REFERS TO WIDE SIDE OF KEYSTONE, NEAR SIDE REFERS TO NARROW SIDE OF KEYSTONE.
- 2. RUBBER GROMMET APPLIES ONLY FOR 1218232-7 THRU 1-1218232-2 AND 2-1218232-7 THRU 3-1218232-2.
- 3. BERYLLIUM COPPER RETENTION CLIPS ARE INCLUDED IN INSERTS.
- 4. CONTACTS NOT SUPPLIED, MUST BE ORDERED SEPARATELY. WILL ACCOMMODATE A SIZE 22 PIN CONTACT PER MIL-C-39029/58-360 OR NASA G-08-P1. CONTACT THE ENGINEERING FOR ANY OTHER CONTACT STYLES.
- 5. THIS PLUG WILL MATE WITH ANY RECEPTACLE CONNECTOR WITH THE SAME INSERT ARRANGEMENT.
- 6. MAXIMUM WIRE INSULATION USED WITH THIS CONNECTOR IS .054 [1.37] DIAMETER WITH GROMMET, .068 [1.73] WITHOUT GROMMET.
- 7. UNLESS OTHERWISE STATED THIS ASSEMBLY CONFORMS TO MIL-PRF-24308.
- 8. SPECIAL TESTING PER RAYTHEON R10006242 SPECIFICATION.

L	J	H	G	E	D	C	B	A	REMARKS	NO OF POSN.	SHELL SIZE	PART NUMBER
.039	.608	2.313	.230	.668	.503	2.500	2.212	2.729	2	104	6	3-1218232-2
[0.99]	[15.44]	[58.75]	[5.84]	[16.97]	[12.78]	[63.50]	[56.18]	[69.32]	8			
.039	.550	2.189	.230	.605	.441	2.406	2.079	2.635	2	78	5	3-1218232-1
[0.99]	[13.97]	[55.60]	[5.84]	[15.38]	[11.20]	[61.11]	[52.81]	[66.93]	8			
.039	.438	2.284	.230	.494	.329	2.500	2.182	2.729	2	62	4	3-1218232-0
[0.99]	[11.13]	[58.01]	[5.84]	[12.55]	[8.36]	[63.50]	[55.42]	[69.32]	8			
.039	.438	1.636	.230	.494	.329	1.852	1.534	2.088	2	44	3	2-1218232-9
[0.99]	[11.13]	[41.55]	[5.84]	[12.55]	[8.36]	[47.04]	[38.96]	[53.04]	8			
.030	.438	1.094	.235	.494	.329	1.312	.994	1.541	2	26	2	2-1218232-8
[0.76]	[11.13]	[27.79]	[5.97]	[12.55]	[8.36]	[33.32]	[25.25]	[39.14]	8			
.030	.438	.770	.235	.494	.329	.984	.666	1.213	2	15	1	2-1218232-7
[0.76]	[11.13]	[19.56]	[5.97]	[12.55]	[8.36]	[24.99]	[16.92]	[30.81]	8			
.039	.608	2.313	.230	.668	.503	2.500	2.212	2.729	8	104	6	2-1218232-6
[0.99]	[15.44]	[58.75]	[5.84]	[16.97]	[12.78]	[63.50]	[56.18]	[69.32]				
.039	.550	2.189	.230	.605	.441	2.406	2.079	2.635	8	78	5	2-1218232-5
[0.99]	[13.97]	[55.60]	[5.84]	[15.38]	[11.20]	[61.11]	[52.81]	[66.93]				
.039	.438	2.284	.230	.494	.329	2.500	2.182	2.729	8	62	4	2-1218232-4
[0.99]	[11.13]	[58.01]	[5.84]	[12.55]	[8.36]	[63.50]	[55.42]	[69.32]				
.039	.438	1.636	.230	.494	.329	1.852	1.534	2.088	8	44	3	2-1218232-3
[0.99]	[11.13]	[41.55]	[5.84]	[12.55]	[8.36]	[47.04]	[38.96]	[53.04]				
.030	.438	1.094	.235	.494	.329	1.312	.994	1.541	8	26	2	2-1218232-2
[0.76]	[11.13]	[27.79]	[5.97]	[12.55]	[8.36]	[33.32]	[25.25]	[39.14]				
.030	.438	.770	.235	.494	.329	.984	.666	1.213	8	15	1	2-1218232-1
[0.76]	[11.13]	[19.56]	[5.97]	[12.55]	[8.36]	[24.99]	[16.92]	[30.81]				
.039	.608	2.313	.230	.668	.503	2.500	2.212	2.729	2	104	6	1-1218232-2
[0.99]	[15.44]	[58.75]	[5.84]	[16.97]	[12.78]	[63.50]	[56.18]	[69.32]	8			
.039	.550	2.189	.230	.605	.441	2.406	2.079	2.635	2	78	5	1-1218232-1
[0.99]	[13.97]	[55.60]	[5.84]	[15.38]	[11.20]	[61.11]	[52.81]	[66.93]	8			
.039	.438	2.284	.230	.494	.329	2.500	2.182	2.729	2	62	4	1-1218232-0
[0.99]	[11.13]	[58.01]	[5.84]	[12.55]	[8.36]	[63.50]	[55.42]	[69.32]	8			
.039	.438	1.636	.230	.494	.329	1.852	1.534	2.088	2	44	3	1218232-9
[0.99]	[11.13]	[41.55]	[5.84]	[12.55]	[8.36]	[47.04]	[38.96]	[53.04]	8			
.030	.438	1.094	.235	.494	.329	1.312	.994	1.541	2	26	2	1218232-8
[0.76]	[11.13]	[27.79]	[5.97]	[12.55]	[8.36]	[33.32]	[25.25]	[39.14]	8			
.030	.438	.770	.235	.494	.329	.984	.666	1.213	2	15	1	1218232-7
[0.76]	[11.13]	[19.56]	[5.97]	[12.55]	[8.36]	[24.99]	[16.92]	[30.81]	8			
.039	.608	2.313	.230	.668	.503	2.500	2.212	2.729	-	104	6	1218232-6
[0.99]	[15.44]	[58.75]	[5.84]	[16.97]	[12.78]	[63.50]	[56.18]	[69.32]				
.039	.550	2.189	.230	.605	.441	2.406	2.079	2.635	-	78	5	1218232-5
[0.99]	[13.97]	[55.60]	[5.84]	[15.38]	[11.20]	[61.11]	[52.81]	[66.93]				
.039	.438	2.284	.230	.494	.329	2.500	2.182	2.729	-	62	4	1218232-4
[0.99]	[11.13]	[58.01]	[5.84]	[12.55]	[8.36]	[63.50]	[55.42]	[69.32]				
.039	.438	1.636	.230	.494	.329	1.852	1.534	2.088	-	44	3	1218232-3
[0.99]	[11.13]	[41.55]	[5.84]	[12.55]	[8.36]	[47.04]	[38.96]	[53.04]				
.030	.438	1.094	.235	.494	.329	1.312	.994	1.541	-	26	2	1218232-2
[0.76]	[11.13]	[27.79]	[5.97]	[12.55]	[8.36]	[33.32]	[25.25]	[39.14]				
.030	.438	.770	.235	.494	.329	.984	.666	1.213	-	15	1	1218232-1
[0.76]	[11.13]	[19.56]	[5.97]	[12.55]	[8.36]	[24.99]	[16.92]	[30.81]				

THIS DRAWING IS A CONTROLLED DOCUMENT.		DWG: C.C. THOMAS 7-27-05	TE Connectivity	
DIMENSIONS: INCHES		CHK: D. MILLER 7-27-05		
TOLERANCES UNLESS OTHERWISE SPECIFIED:		NAME: D. MILLER 7-27-05		
0 PL ± - 1 PL ± - 2 PL ± - 3 PL ± .005 (0.13) 4 PL ± - ANGLES ± .4°		PRODUCT SPEC: -		
MATERIAL: -		APPLICATION SPEC: -		
FINISH: -		SIZE: A1		
		CAGE CODE: 00779		
		DRAWING NO: 1218232		
		RESTRICTED TO: -		
		WEIGHT: -		
		CUSTOMER DRAWING		
		SCALE: 4:1		
		SHEET 1 OF 2		
		REV: H		

LOC		DIST		REVISIONS			
P	LTR	DESCRIPTION	DATE	DNW	APVD		
-	-	SEE SHEET #1	-	-	-	-	-



THIS DRAWING IS A CONTROLLED DOCUMENT.		DWG C.C.THOMAS 7-27-05	 TE Connectivity
DIMENSIONS: INCHES		CHK D.MILLER 7-27-05	
TOLERANCES UNLESS OTHERWISE SPECIFIED:		APP'D D.MILLER 7-27-05	NAME PLUG ASSEMBLY, AMPLIMITE ULTRA-LITE, SERIES 90, SIZE 1 THRU 6
0 PLC ± -	1 PLC ± -	PRODUCT SPEC	APPLICATION SPEC
2 PLC ± -	3 PLC ± .005 [0.13]	SIZE	SCALE
4 PLC ± -	ANGLES ± .4°	WEIGHT	RESTRICTED TO
MATERIAL	FINISH	A1 00779	SCALE 4:1 SHEET 2 OF 2 REV H
CUSTOMER DRAWING		DRAWING NO. 1218232	