



Chipsmall Limited consists of a professional team with an average of over 10 year of expertise in the distribution of electronic components. Based in Hongkong, we have already established firm and mutual-benefit business relationships with customers from,Europe,America and south Asia,supplying obsolete and hard-to-find components to meet their specific needs.

With the principle of "Quality Parts,Customers Priority,Honest Operation,and Considerate Service",our business mainly focus on the distribution of electronic components. Line cards we deal with include Microchip,ALPS,ROHM,Xilinx,Pulse,ON,Everlight and Freescale. Main products comprise IC,Modules,Potentiometer,IC Socket,Relay,Connector.Our parts cover such applications as commercial,industrial, and automotives areas.

We are looking forward to setting up business relationship with you and hope to provide you with the best service and solution. Let us make a better world for our industry!



Contact us

Tel: +86-755-8981 8866 Fax: +86-755-8427 6832


Email & Skype: info@chipsmall.com Web: www.chipsmall.com

Address: A1208, Overseas Decoration Building, #122 Zhenhua RD., Futian, Shenzhen, China

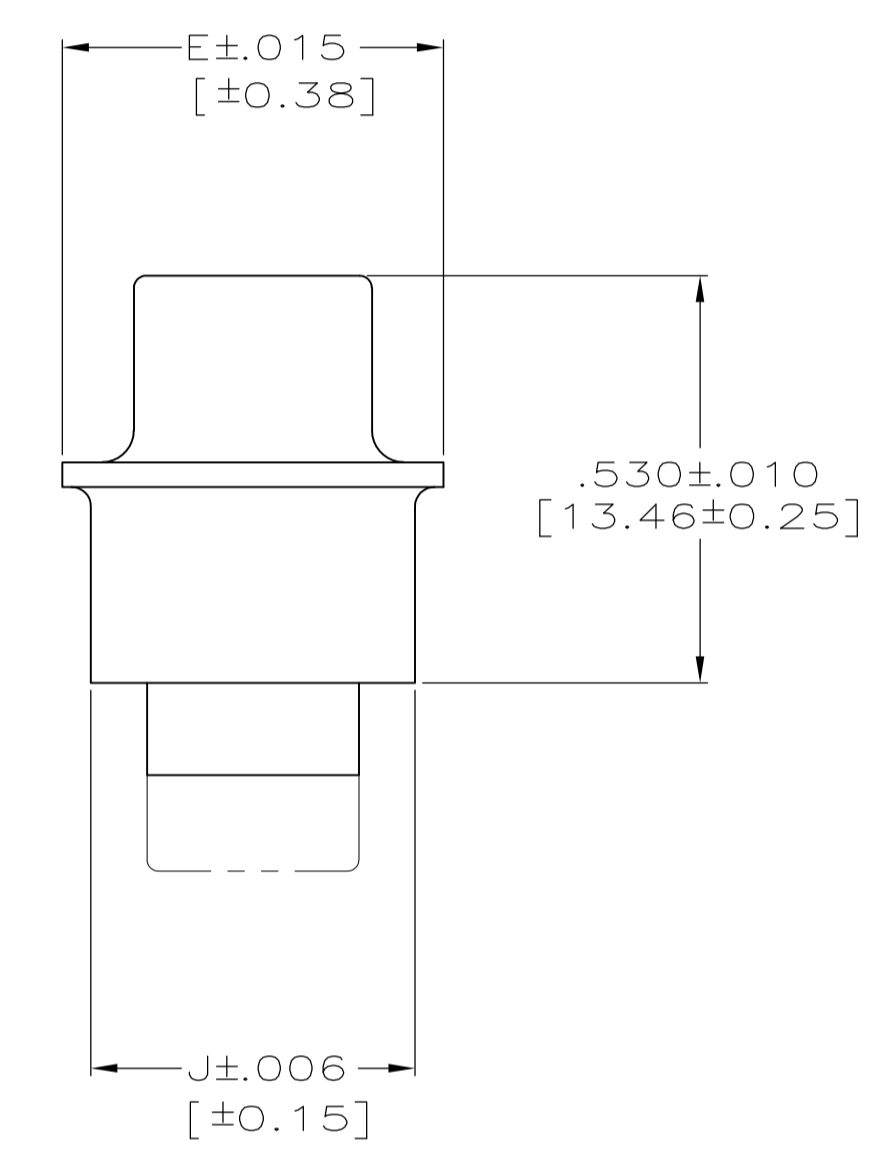
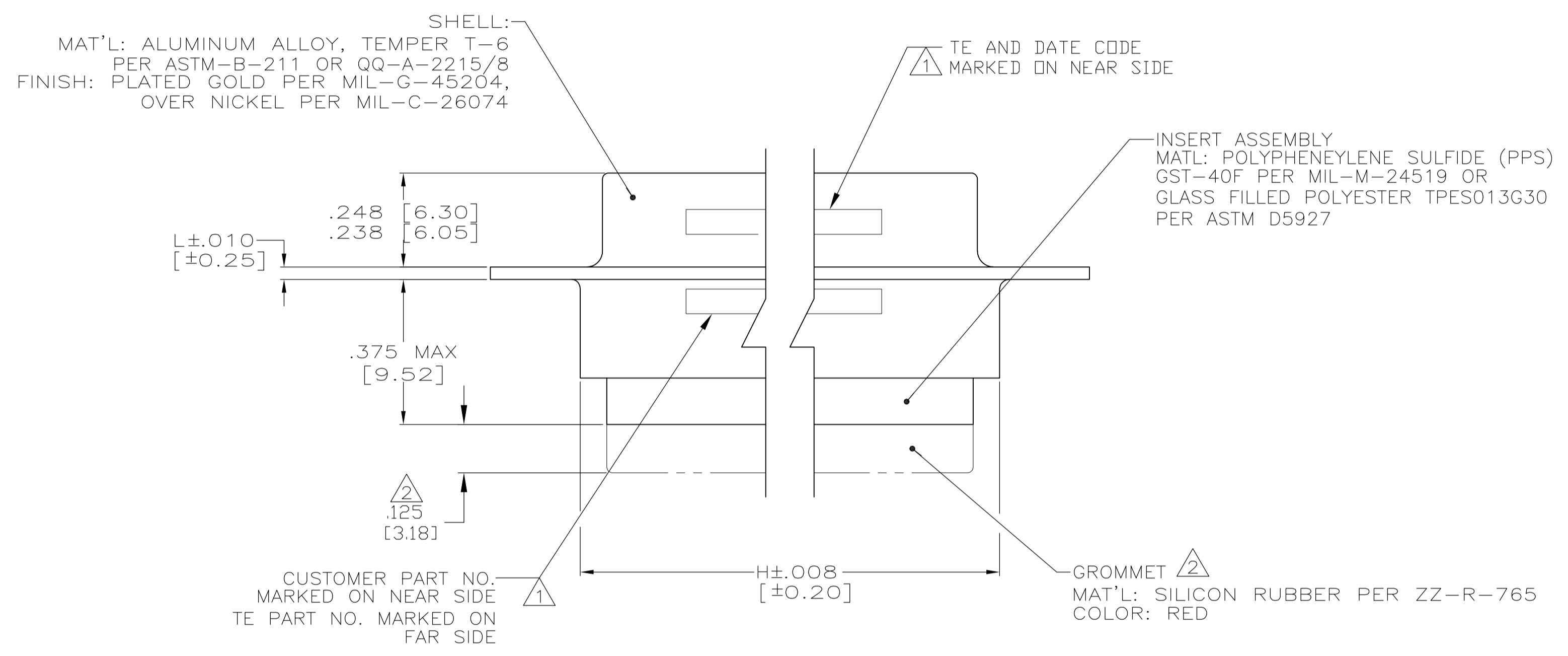
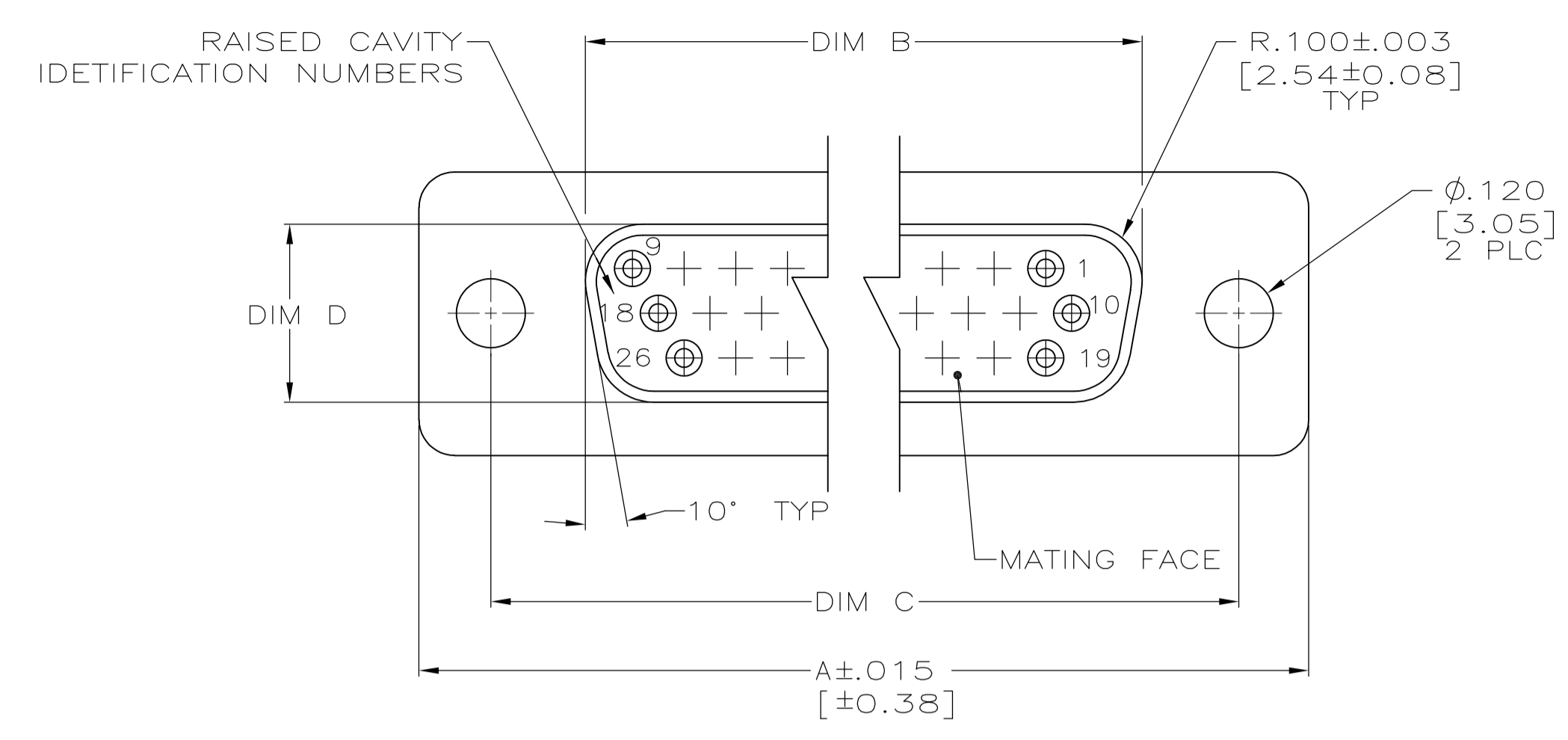


- 1 MARKED WITH .047 [1.19] HIGH CHARACTERS. FAR SIDE REFERS TO WIDE SIDE OF KEYSTONE, NEAR SIDE REFERS TO NARROW SIDE OF KEYSTONE.
- 2 RUBBER GROMMET APPLIES ONLY FOR 1218233-7 THRU 1-1218233-2 AND 2-1218233-7 THRU 3-1218233-2.
- 3. BERYLLIUM COPPER RETENTION CLIPS ARE INCLUDED IN INSERTS.
- 4. CONTACTS NOT SUPPLIED, MUST BE ORDERED SEPARTELY. WILL ACCOMMODATE A SIZE 22 SOCKET CONTACT PER MIL-C-39029/57-354 OR NASA G-08-S1. CONTACT TE ENGINEERING FOR ANY OTHER CONTACT STYLES.
- 5. THIS RECEPTACLE WILL MATE WITH ANY PLUG CONNECTOR WITH THE SAME INSERT ARRANGEMENT.
- 6. MAXIMUM WIRE INSULATION USED WITH THIS CONNECTOR IS .054 [1.37] DIAMETER WITH GROMMET, .068 [1.73] WITHOUT GROMMET
- 7. UNLESS OTHERWISE STATED THIS ASSEMBLY CONFORMS TO MIL-PRF-24308.
- 8 SPECIAL TESTING PER RAYTHEON R10006242 SPECIFICATION.

R10006242-0024	.039 [0.99]	.608 [15.44]	2.313 [58.75]	.668 [16.97]	.485 [12.32]	2.500 [63.50]	2.190 [55.63]	2.729 [69.32]	2 8	104	6	3-1218233-2
R10006242-0023	.039 [0.99]	.550 [13.97]	2.189 [55.60]	.605 [15.38]	.423 [10.74]	2.406 [61.11]	2.065 [52.45]	2.635 [66.93]	2 8	78	5	3-1218233-1
R10006242-0022	.039 [0.99]	.438 [11.13]	2.284 [58.01]	.494 [12.55]	.311 [7.90]	2.500 [63.50]	2.160 [54.86]	2.729 [69.32]	2 8	62	4	3-1218233-0
R10006242-0021	.039 [0.99]	.438 [11.13]	1.636 [41.55]	.494 [12.55]	.311 [7.90]	1.852 [47.04]	1.512 [38.40]	2.088 [53.04]	2 8	44	3	2-1218233-9
R10006242-0020	.030 [0.76]	.438 [11.13]	1.094 [27.79]	.494 [12.55]	.311 [7.90]	1.312 [33.32]	.972 [24.69]	1.541 [39.14]	2 8	26	2	2-1218233-8
R10006242-0019	.030 [0.76]	.438 [11.13]	.770 [19.56]	.494 [12.55]	.311 [7.90]	.984 [24.99]	.644 [16.36]	1.213 [30.81]	2 8	15	1	2-1218233-7
R10006242-0018	.039 [0.99]	.608 [15.44]	2.313 [58.75]	.668 [16.97]	.485 [12.32]	2.500 [63.50]	2.190 [55.63]	2.729 [69.32]	8	104	6	2-1218233-6
R10006242-0017	.039 [0.99]	.550 [13.97]	2.189 [55.60]	.605 [15.38]	.423 [10.74]	2.406 [61.11]	2.065 [52.45]	2.635 [66.93]	8	78	5	2-1218233-5
R10006242-0016	.039 [0.99]	.438 [11.13]	2.284 [58.01]	.494 [12.55]	.311 [7.90]	2.500 [63.50]	2.160 [54.86]	2.729 [69.32]	8	62	4	2-1218233-4
R10006242-0015	.039 [0.99]	.438 [11.13]	1.636 [41.55]	.494 [12.55]	.311 [7.90]	1.852 [47.04]	1.512 [38.40]	2.088 [53.04]	8	44	3	2-1218233-3
R10006242-0014	.030 [0.76]	.438 [11.13]	1.094 [27.79]	.494 [12.55]	.311 [7.90]	1.312 [33.32]	.972 [24.69]	1.541 [39.14]	8	26	2	2-1218233-2
R10006242-0013	.030 [0.76]	.438 [11.13]	.770 [19.56]	.494 [12.55]	.311 [7.90]	.984 [24.99]	.644 [16.36]	1.213 [30.81]	8	15	1	2-1218233-1
---	.039 [0.99]	.608 [15.44]	2.313 [58.75]	.668 [16.97]	.485 [12.32]	2.500 [63.50]	2.190 [55.63]	2.729 [69.32]	2	104	6	1-1218233-2
---	.039 [0.99]	.550 [13.97]	2.189 [55.60]	.605 [15.38]	.423 [10.74]	2.406 [61.11]	2.065 [52.45]	2.635 [66.93]	2	78	5	1-1218233-1
---	.039 [0.99]	.438 [11.13]	2.284 [58.01]	.494 [12.55]	.311 [7.90]	2.500 [63.50]	2.160 [54.86]	2.729 [69.32]	2	62	4	1-1218233-0
---	.039 [0.99]	.438 [11.13]	1.636 [41.55]	.494 [12.55]	.311 [7.90]	1.852 [47.04]	1.512 [38.40]	2.088 [53.04]	2	44	3	1218233-9
---	.030 [0.76]	.438 [11.13]	1.094 [27.79]	.494 [12.55]	.311 [7.90]	1.312 [33.32]	.972 [24.69]	1.541 [39.14]	2	26	2	1218233-8
---	.030 [0.76]	.438 [11.13]	.770 [19.56]	.494 [12.55]	.311 [7.90]	.984 [24.99]	.644 [16.36]	1.213 [30.81]	2	15	1	1218233-7
---	.039 [0.99]	.608 [15.44]	2.313 [58.75]	.668 [16.97]	.485 [12.32]	2.500 [63.50]	2.190 [55.63]	2.729 [69.32]	-	104	6	1218233-6
---	.039 [0.99]	.550 [13.97]	2.189 [55.60]	.605 [15.38]	.423 [10.74]	2.406 [61.11]	2.065 [52.45]	2.635 [66.93]	-	78	5	1218233-5
---	.039 [0.99]	.438 [11.13]	2.284 [58.01]	.494 [12.55]	.311 [7.90]	2.500 [63.50]	2.160 [54.86]	2.729 [69.32]	-	62	4	1218233-4
---	.039 [0.99]	.438 [11.13]	1.636 [41.55]	.494 [12.55]	.311 [7.90]	1.852 [47.04]	1.512 [38.40]	2.088 [53.04]	-	44	3	1218233-3
---	.030 [0.76]	.438 [11.13]	1.094 [27.79]	.494 [12.55]	.311 [7.90]	1.312 [33.32]	.972 [24.69]	1.541 [39.14]	-	26	2	1218233-2
---	.030 [0.76]	.438 [11.13]	.770 [19.56]	.494 [12.55]	.311 [7.90]	.984 [24.99]	.644 [16.36]	1.213 [30.81]	-	15	1	1218233-1
CUSTOMER PART NO.	L	J	H	E	D	C	B	A	REMARKS	NO OF POSN.	SHELL SIZE	PART NUMBER

THIS DRAWING IS A CONTROLLED DOCUMENT.		DIN C.C.THOMAS 7-27-05	 TE Connectivity
DIMENSIONS: INCHES		CHK D.MILLER 7-27-05	
TOLERANCES UNLESS OTHERWISE SPECIFIED:		APVD D.MILLER 7-27-05	NAME
0 PLC ± - 1 PLC ± - 2 PLC ± - 3 PLC ± .005 (.13) 4 PLC ± - ANGLES ± -		RECEPTACLE ASSEMBLY, AMPLIMITE ULTRA-LITE, SERIES 90, SIZE 1 THRU 6	
MATERIAL		WEIGHT	RESTRICTED TO
FINISH		SIZE A1	CAGE CODE 00779
		DRAWING NO. 1218233	SCALE 4:1
CUSTOMER DRAWING		SHEET 1 OF 2	REV G

LOC		DIST		REVISIONS			
P	LTR	DESCRIPTION	DATE	DN	APVD		
1		SEE SHEET #1					



THIS DRAWING IS A CONTROLLED DOCUMENT.		DIN C.C.THOMAS 7-27-05	TE Connectivity
DIMENSIONS: INCHES		CHK D.MILLER 7-27-05	
TOLERANCES UNLESS OTHERWISE SPECIFIED:		APP'D D.MILLER 7-27-05	NAME
0 PLC ± -		PRODUCT SPEC	RECEPTACLE ASSEMBLY, AMPLIMITE ULTRA-LITE, SERIES 90, SIZE 1 THRU 6
1 PLC ± -		APPLICATION SPEC	
2 PLC ± -		WEIGHT	
3 PLC ± .005 (.13)		SIZE	A1
4 PLC ± -		DRAWING NO	00779
ANGLES ± -		DRAWING NO	1218233
MATERIAL		RESTRICTED TO	
FINISH		CUSTOMER DRAWING	SCALE 4:1 SHEET 2 OF 2 REV G