



Chipsmall Limited consists of a professional team with an average of over 10 year of expertise in the distribution of electronic components. Based in Hongkong, we have already established firm and mutual-benefit business relationships with customers from,Europe,America and south Asia,supplying obsolete and hard-to-find components to meet their specific needs.

With the principle of “Quality Parts,Customers Priority,Honest Operation,and Considerate Service”,our business mainly focus on the distribution of electronic components. Line cards we deal with include Microchip,ALPS,ROHM,Xilinx,Pulse,ON,Everlight and Freescale. Main products comprise IC,Modules,Potentiometer,IC Socket,Relay,Connector.Our parts cover such applications as commercial,industrial, and automotives areas.

We are looking forward to setting up business relationship with you and hope to provide you with the best service and solution. Let us make a better world for our industry!



Contact us

Tel: +86-755-8981 8866 Fax: +86-755-8427 6832

Email & Skype: info@chipsmall.com Web: www.chipsmall.com

Address: A1208, Overseas Decoration Building, #122 Zhenhua RD., Futian, Shenzhen, China



LOC	DIST	REV	DESCRIPTION	DATE	BY	APPV
J	REV PER ECO	15-006633		5-7-15	CT	DM

- ⚠ MARKED WITH .047 [1.19] HIGH CHARACTERS. FAR SIDE REFERS TO WIDE SIDE OF KEYSTONE, NEAR SIDE REFERS TO NARROW SIDE OF KEYSTONE.
- ⚠ RUBBER GROMMET APPLIES ONLY FOR 1218234-6 THRU 1-1218234-0 AND 2-1218234-6 THRU 3-1218234-0.
- 3. BERYLLIUM COPPER RETENTION CLIPS ARE INCLUDED IN INSERTS.
- 4. CONTACTS NOT SUPPLIED, MUST BE ORDERED SEPARTELY. WILL ACCOMMODATE A SIZE 20 PIN CONTACT PER MIL-C-39029/64-369 OR NASA G-10-P1. CONTACT TE ENGINEERING FOR ANY OTHER CONTACT STYLES.
- 5. THIS PLUG WILL MATE WITH ANY RECEPTACLE CONNECTOR WITH THE SAME INSERT ARRANGEMENT.
- 6. MAXIMUM WIRE INSULATION USED WITH THIS CONNECTOR IS .072 [1.83] DIAMETER WITH GROMMET, .084 [2.13] WITHOUT GROMMET.
- 7. UNLESS OTHERWISE STATED THIS ASSEMBLY CONFORMS TO MIL-PRF-24308.
- ⚠ ELECTROLESS NICKEL UNDERPLATE DOES NOT CONTAIN INTENTIONAL ADDITIONS OF LEAD AND CADMIUM PER DFE STANDARD 230-700.
- ⚠ SPECIAL TESTING PER RAYTHEON R10006242 SPECIFICATION.

CUSTOMER PART NO.	L	J	H	G	E	D	C	B	A	REMARKS	NO OF POSN.	SHELL SIZE	PART NUMBER
R10006242-0034	.039 [0.99]	.550 [13.97]	2.189 [55.60]	.230 [5.84]	.605 [15.38]	.441 [11.20]	2.406 [61.11]	2.079 [52.81]	2.635 [66.93]	⚠	50	5	3-1218234-0
R10006242-0033	.039 [0.99]	.438 [11.13]	2.284 [58.01]	.230 [5.84]	.494 [12.55]	.329 [8.36]	2.500 [63.50]	2.182 [55.42]	2.729 [69.32]	⚠	37	4	2-1218234-9
R10006242-0032	.039 [0.99]	.438 [11.13]	1.636 [41.55]	.230 [5.84]	.494 [12.55]	.329 [8.36]	1.852 [47.04]	1.534 [38.96]	2.088 [53.04]	⚠	25	3	2-1218234-8
R10006242-0031	.030 [0.76]	.438 [11.13]	1.094 [27.79]	.235 [5.97]	.494 [12.55]	.329 [8.36]	1.312 [33.32]	.994 [25.25]	1.541 [39.14]	⚠	15	2	2-1218234-7
R10006242-0030	.030 [0.76]	.438 [11.13]	.770 [19.56]	.235 [5.97]	.494 [12.55]	.329 [8.36]	.984 [24.99]	.666 [16.92]	1.213 [30.81]	⚠	9	1	2-1218234-6
R10006242-0029	.039 [0.99]	.550 [13.97]	2.189 [55.60]	.230 [5.84]	.605 [15.38]	.441 [11.20]	2.406 [61.11]	2.079 [52.81]	2.635 [66.93]	⚠	50	5	2-1218234-5
R10006242-0028	.039 [0.99]	.438 [11.13]	2.284 [58.01]	.230 [5.84]	.494 [12.55]	.329 [8.36]	2.500 [63.50]	2.182 [55.42]	2.729 [69.32]	⚠	37	4	2-1218234-4
R10006242-0027	.039 [0.99]	.438 [11.13]	1.636 [41.55]	.230 [5.84]	.494 [12.55]	.329 [8.36]	1.852 [47.04]	1.534 [38.96]	2.088 [53.04]	⚠	25	3	2-1218234-3
R10006242-0026	.030 [0.76]	.438 [11.13]	1.094 [27.79]	.235 [5.97]	.494 [12.55]	.329 [8.36]	1.312 [33.32]	.994 [25.25]	1.541 [39.14]	⚠	15	2	2-1218234-2
R10006242-0025	.030 [0.76]	.438 [11.13]	.770 [19.56]	.235 [5.97]	.494 [12.55]	.329 [8.36]	.984 [24.99]	.666 [16.92]	1.213 [30.81]	⚠	9	1	2-1218234-1
OBSOLETE	.039 [0.99]	.550 [13.97]	2.189 [55.60]	.230 [5.84]	.605 [15.38]	.441 [11.20]	2.406 [61.11]	2.079 [52.81]	2.635 [66.93]	⚠	50	5	5-1218234-5
---	.039 [0.99]	.550 [13.97]	2.189 [55.60]	.230 [5.84]	.605 [15.38]	.441 [11.20]	2.406 [61.11]	2.079 [52.81]	2.635 [66.93]	⚠	50	5	1-1218234-0
---	.039 [0.99]	.438 [11.13]	2.284 [58.01]	.230 [5.84]	.494 [12.55]	.329 [8.36]	2.500 [63.50]	2.182 [55.42]	2.729 [69.32]	⚠	37	4	1218234-9
---	.039 [0.99]	.438 [11.13]	1.636 [41.55]	.230 [5.84]	.494 [12.55]	.329 [8.36]	1.852 [47.04]	1.534 [38.96]	2.088 [53.04]	⚠	25	3	1218234-8
---	.030 [0.76]	.438 [11.13]	1.094 [27.79]	.235 [5.97]	.494 [12.55]	.329 [8.36]	1.312 [33.32]	.994 [25.25]	1.541 [39.14]	⚠	15	2	1218234-7
---	.030 [0.76]	.438 [11.13]	.770 [19.56]	.235 [5.97]	.494 [12.55]	.329 [8.36]	.984 [24.99]	.666 [16.92]	1.213 [30.81]	⚠	9	1	1218234-6
---	.039 [0.99]	.550 [13.97]	2.189 [55.60]	.230 [5.84]	.605 [15.38]	.441 [11.20]	2.406 [61.11]	2.079 [52.81]	2.635 [66.93]	-	50	5	1218234-5
---	.039 [0.99]	.438 [11.13]	2.284 [58.01]	.230 [5.84]	.494 [12.55]	.329 [8.36]	2.500 [63.50]	2.182 [55.42]	2.729 [69.32]	-	37	4	1218234-4
---	.039 [0.99]	.438 [11.13]	1.636 [41.55]	.230 [5.84]	.494 [12.55]	.329 [8.36]	1.852 [47.04]	1.534 [38.96]	2.088 [53.04]	-	25	3	1218234-3
---	.030 [0.76]	.438 [11.13]	1.094 [27.79]	.235 [5.97]	.494 [12.55]	.329 [8.36]	1.312 [33.32]	.994 [25.25]	1.541 [39.14]	-	15	2	1218234-2
---	.030 [0.76]	.438 [11.13]	.770 [19.56]	.235 [5.97]	.494 [12.55]	.329 [8.36]	.984 [24.99]	.666 [16.92]	1.213 [30.81]	-	9	1	1218234-1

THIS DRAWING IS A CONTROLLED DOCUMENT.

DIMENSIONS: INCHES [mm]	TOLERANCES UNLESS OTHERWISE SPECIFIED:	DIN C.C.THOMAS 7-27-05	7-27-05
0 PLC ± -	1 PLC ± -	2 PLC ± -	3 PLC ± -
4 PLC ± -	ANGLES ± -	FINISH -	REMARKS

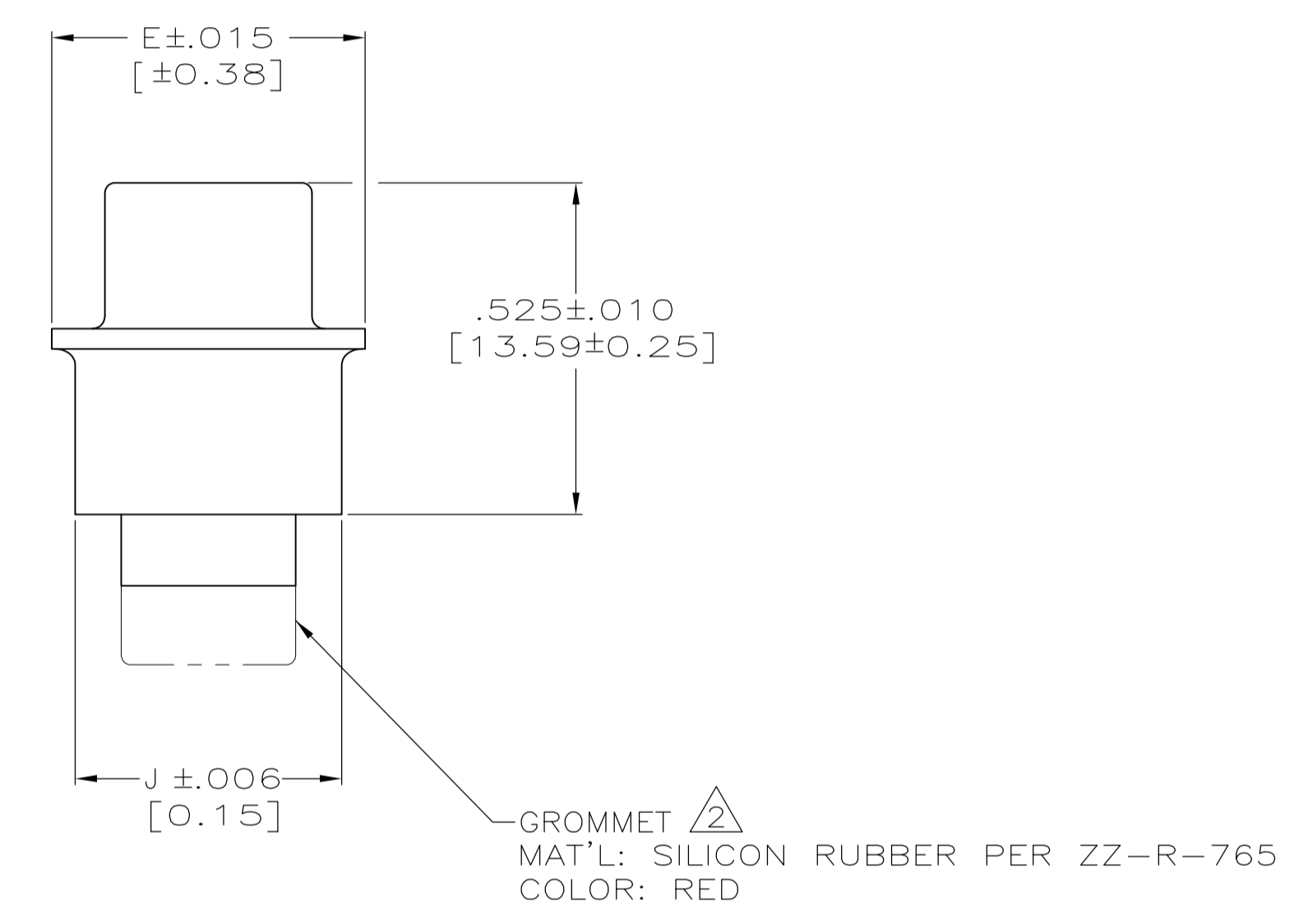
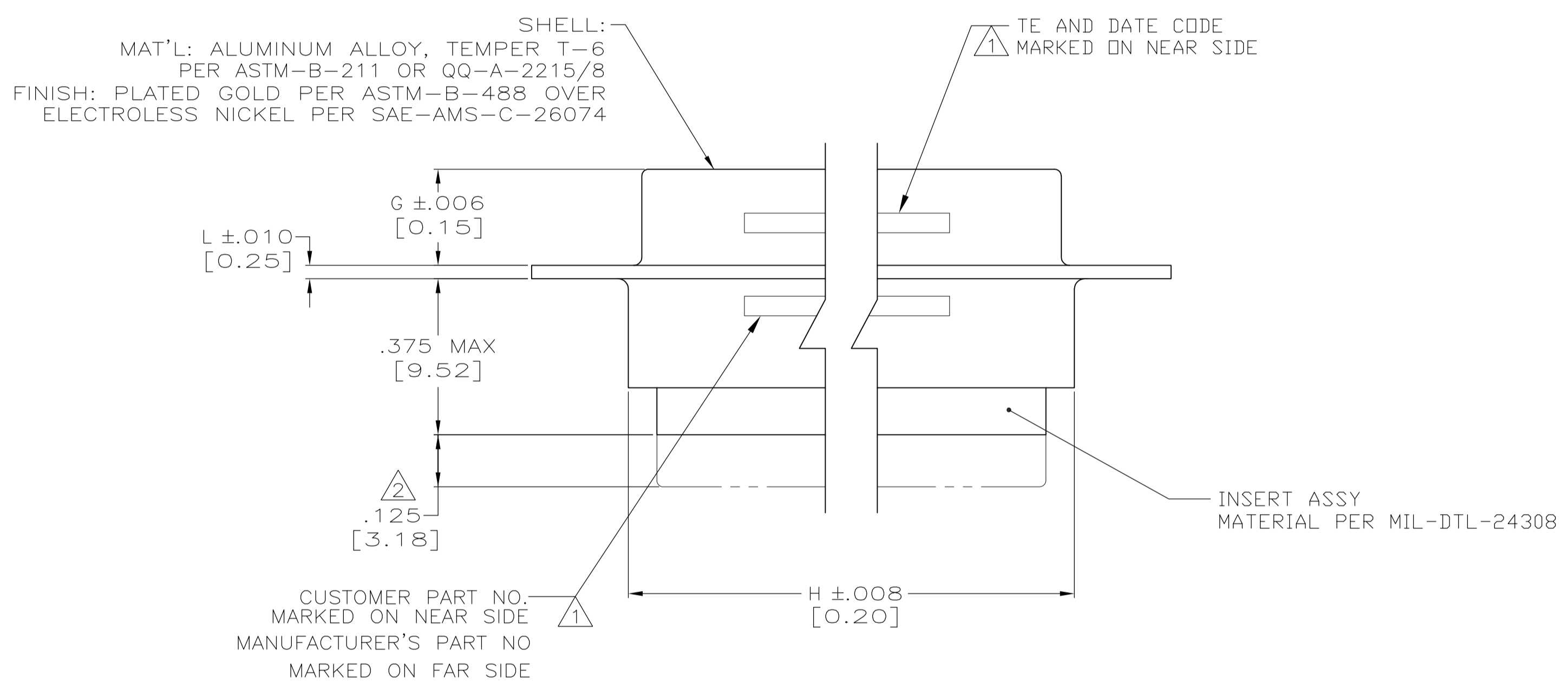
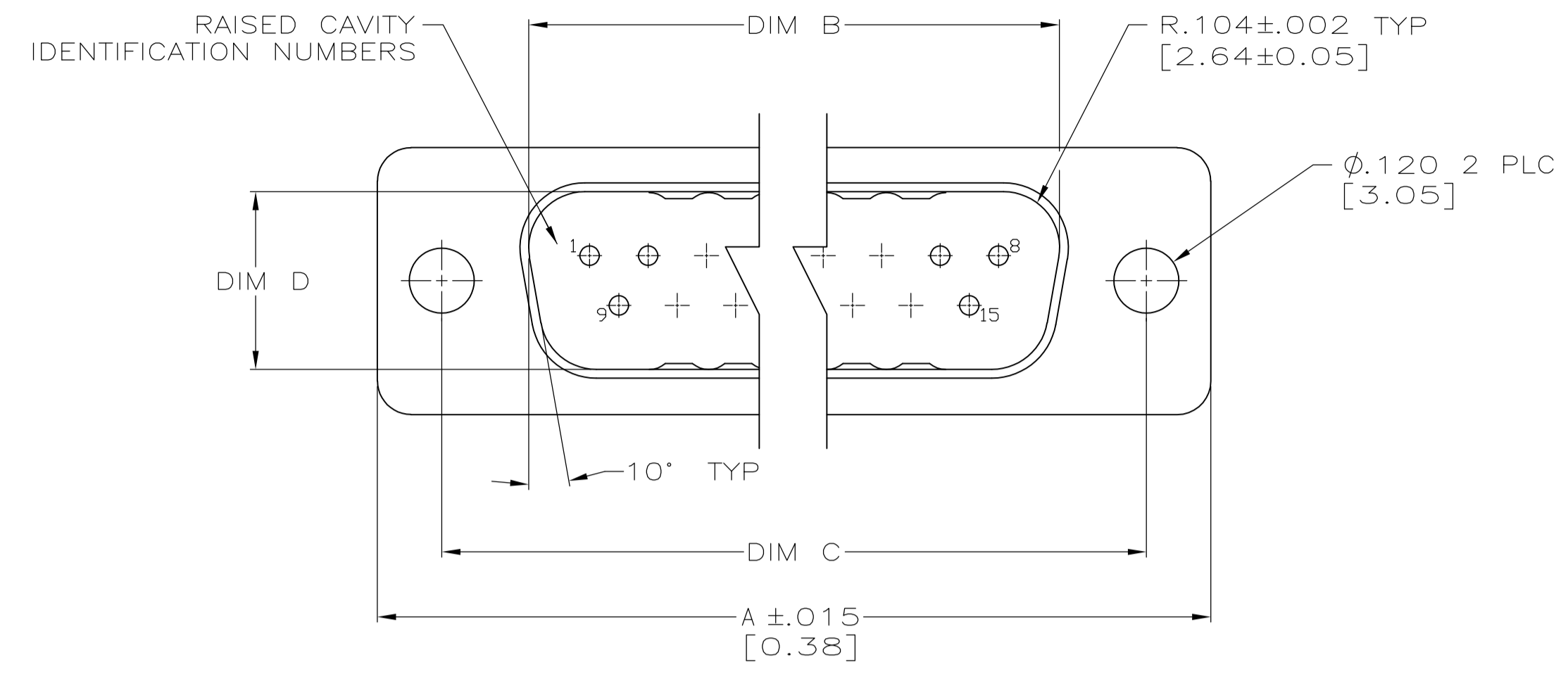
STE TE Connectivity

PLUG ASSEMBLY, AMPLIMITE ULTRA-LITE, SERIES 109, SIZE 1 THRU 5 (ONE PIECE ALUMINUM SHELL)

SIZE: A1 00779 C=1218234

SCALE: 4:1 SHEET 1 OF 2 REV J

LOC		DIST		REVISIONS			
P	LTR	DESCRIPTION	DATE	DN	APVD		
-	-	SEE SHEET #1	-	-	-	CD	



THIS DRAWING IS A CONTROLLED DOCUMENT.		DIM C.C.THOMAS 7-27-05 CHK D.MILLER 7-27-05 APVD D.MILLER 7-27-05 PRODUCT SPEC APPLICATION SPEC WEIGHT CUSTOMER DRAWING	NAME PLUG ASSEMBLY, AMPLIMITE ULTRA-LITE, SERIES 109, SIZE 1 THRU 5 (ONE PIECE ALUMINUM SHELL)	SIZE A1 CAGE CODE 00779 DRAWING NO. 1218234 SCALE 4:1 SHEET 2 OF 2 REV J
--	--	---	---	---