



Chipsmall Limited consists of a professional team with an average of over 10 year of expertise in the distribution of electronic components. Based in Hongkong, we have already established firm and mutual-benefit business relationships with customers from,Europe,America and south Asia,supplying obsolete and hard-to-find components to meet their specific needs.

With the principle of “Quality Parts,Customers Priority,Honest Operation,and Considerate Service”,our business mainly focus on the distribution of electronic components. Line cards we deal with include Microchip,ALPS,ROHM,Xilinx,Pulse,ON,Everlight and Freescale. Main products comprise IC,Modules,Potentiometer,IC Socket,Relay,Connector.Our parts cover such applications as commercial,industrial, and automotives areas.

We are looking forward to setting up business relationship with you and hope to provide you with the best service and solution. Let us make a better world for our industry!



## Contact us

Tel: +86-755-8981 8866 Fax: +86-755-8427 6832

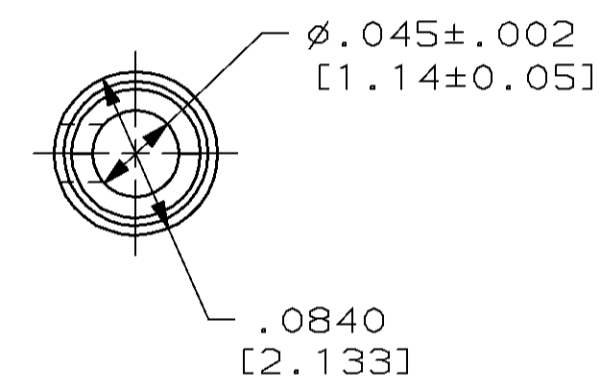
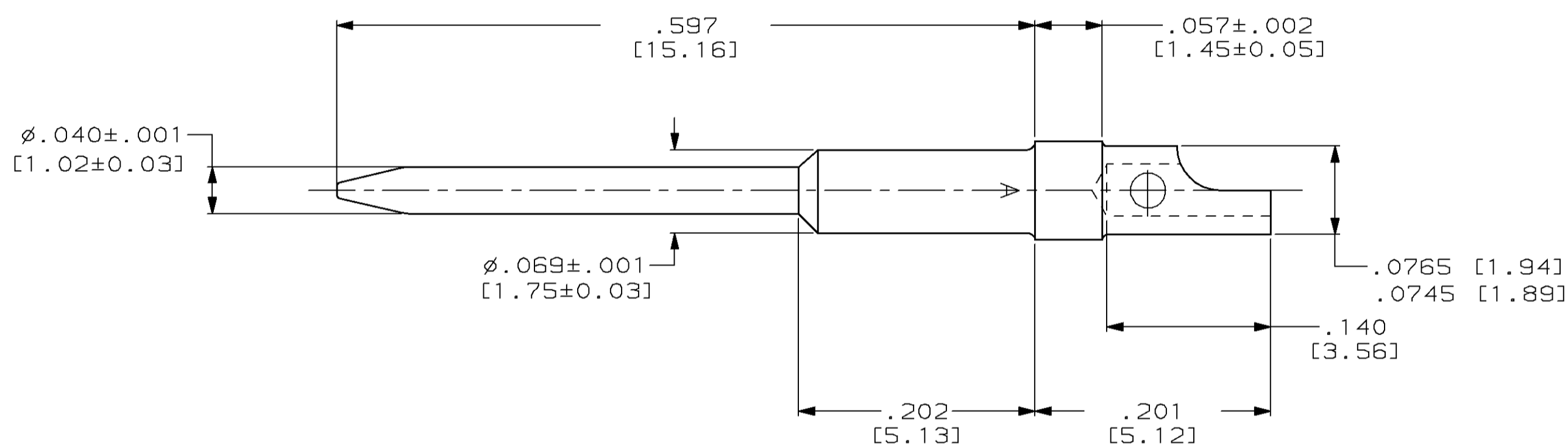
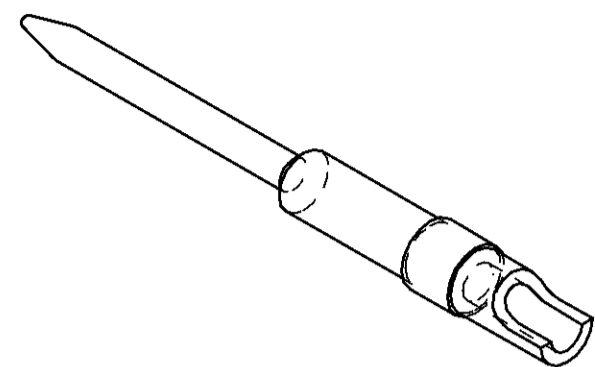
Email & Skype: info@chipsmall.com Web: www.chipsmall.com

Address: A1208, Overseas Decoration Building, #122 Zhenhua RD., Futian, Shenzhen, China



THIS DRAWING IS UNPUBLISHED. RELEASED FOR PUBLICATION  
 BY AMP INCORPORATED. ALL RIGHTS RESERVED.

LOC	DIST	REVISIONS					
DF	AO	P	LTR	DESCRIPTION	DATE	DWN	APVD
		0		RELEASED PER 0600-7517-98	5-98	CT	SG
		A		REV PER 0600-7711-98 JB	10-98	JB	SG



- 1 MATERIAL: COPPER ALLOY PER MIL-C-39029.
- 2 FINISH: PLATED GOLD .000050 [0.00127] MIN THK PER MIL-G-45204 OVER NICKEL .000050 [0.00127] MIN THK PER QQ-N-290.

1218240-2  
 PART NO.

THIS DRAWING IS A CONTROLLED DOCUMENT.		DWN C.C. THOMAS 5-14-98	AMP Incorporated Harrisburg, PA 17105-3608	
DIMENSIONS: INCHES [mm]		CHK S. GLATFELTER 6-3-98	NAME CONTACT, SIZE 20, SOLDER CUP, FRONT RELEASE, ARINC 600	
TOLERANCES UNLESS OTHERWISE SPECIFIED:		APVD S. GLATFELTER 6-3-98	SIZE A2	
0 PLC ±- 1 PLC ±- 2 PLC ±- 3 PLC ±.005 [0.13] 4 PLC ±.0015 [0.038] ANGLES ±-		PRODUCT SPEC -	CAGE CODE 00779	DRAWING NO 1218240
MATERIAL 1	FINISH 2	APPLICATION SPEC -	RESTRICTED TO -	SCALE 10:1
CUSTOMER DRAWING		WEIGHT -	SHEET 1 OF 1	REV A