



Chipsmall Limited consists of a professional team with an average of over 10 year of expertise in the distribution of electronic components. Based in Hongkong, we have already established firm and mutual-benefit business relationships with customers from,Europe,America and south Asia,supplying obsolete and hard-to-find components to meet their specific needs.

With the principle of “Quality Parts,Customers Priority,Honest Operation,and Considerate Service”,our business mainly focus on the distribution of electronic components. Line cards we deal with include Microchip,ALPS,ROHM,Xilinx,Pulse,ON,Everlight and Freescale. Main products comprise IC,Modules,Potentiometer,IC Socket,Relay,Connector.Our parts cover such applications as commercial,industrial, and automotives areas.

We are looking forward to setting up business relationship with you and hope to provide you with the best service and solution. Let us make a better world for our industry!



Contact us

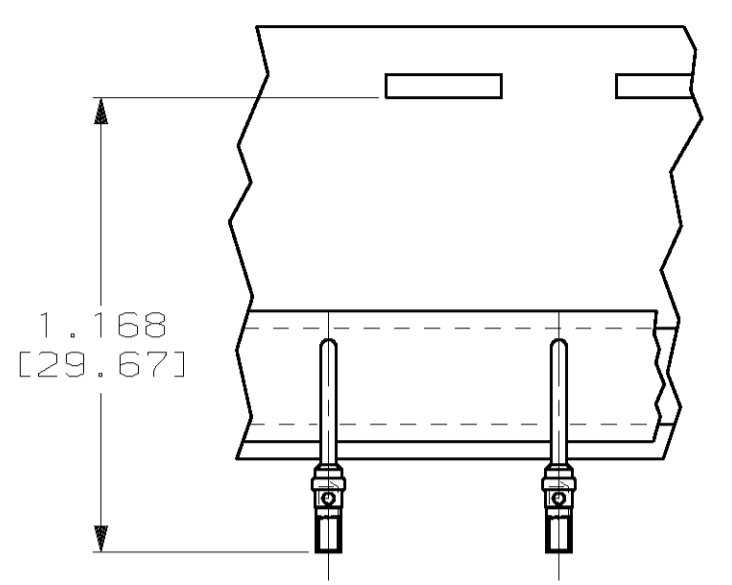
Tel: +86-755-8981 8866 Fax: +86-755-8427 6832

Email & Skype: info@chipsmall.com Web: www.chipsmall.com

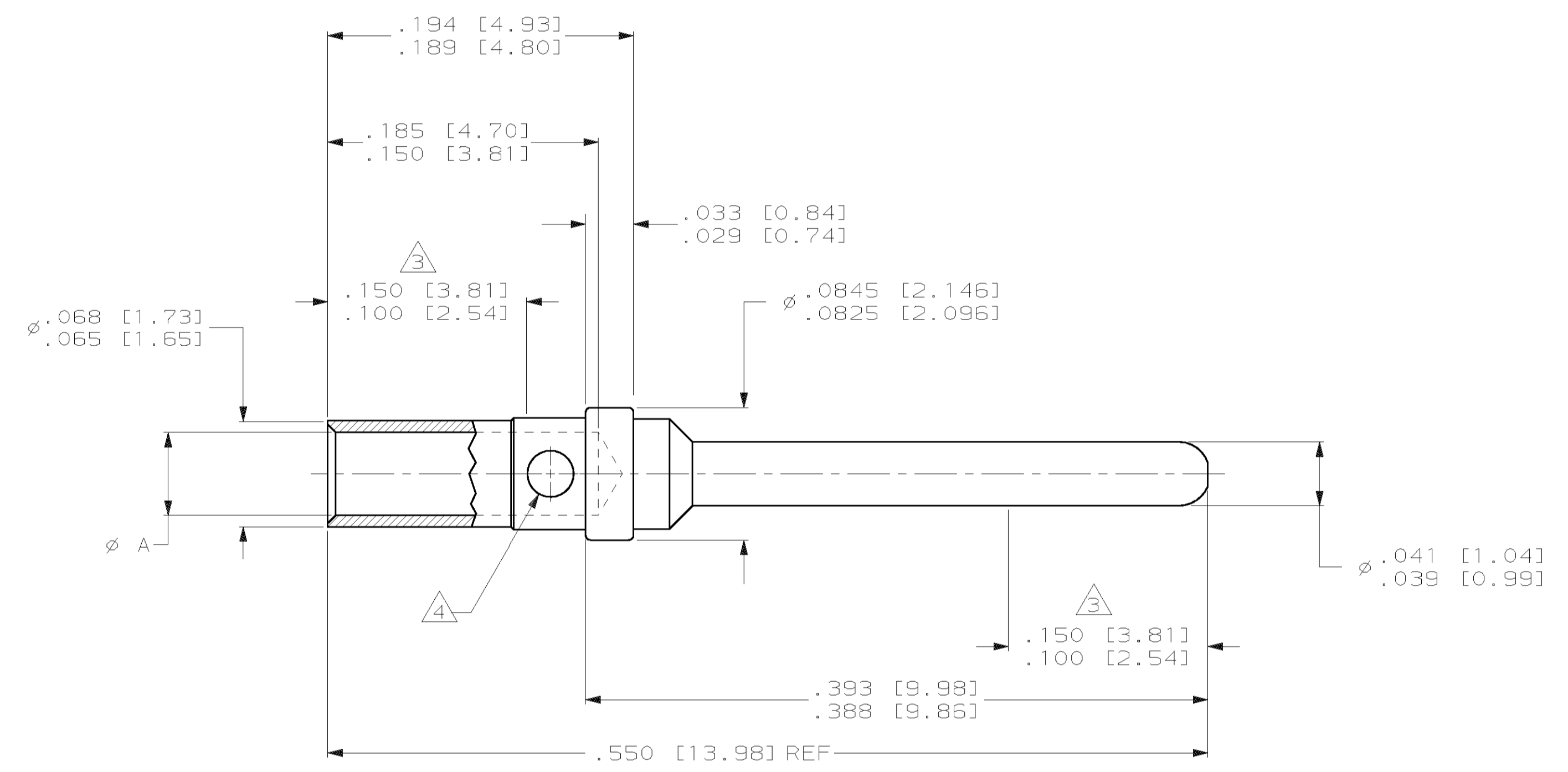
Address: A1208, Overseas Decoration Building, #122 Zhenhua RD., Futian, Shenzhen, China



LOC	DIST	REV	DATE	BY	APPV
DF	DO	A	6-00	CT	RG



1218266-2 & -4 ONLY
SCALE: NTS



- 1 MATERIAL: COPPER ALLOY
- 2 FINISH: GOLD PLATE .000030 [0.76μm] MIN THICK OVER NICKEL PLATE .000050 [1.27μm] MIN THICK.
- 3 POINT OF PLATING THICKNESS MEASUREMENT - SHALL BE MEASURED ON BOTH WIRE BARREL AND PIN END.
- 4 INSPECTION HOLE THRU ONE WALL ONLY RADIAL LOCATION OPTIONAL.

TAPE MOUNTED 20-24 AWG WIRE	.043-.046 [1.09-1.17]	2	1	1218266-4
LOOSE PIECE 20-24 AWG WIRE	.043-.046 [1.09-1.17]	2	1	1218266-3
TAPE MOUNTED 18 AWG WIRE	.051-.053 [1.30-1.35]	2	1	1218266-2
LOOSE PIECE 18 AWG WIRE	.051-.053 [1.30-1.35]	2	1	1218266-1
REMARKS	DIM A	FINISH	MATERIAL	PART NUMBER

THIS DRAWING IS A CONTROLLED DOCUMENT.

DIMENSIONS: INCHES (mm)	TOLERANCES UNLESS OTHERWISE SPECIFIED:	DWN P BRANDBERG 08 APR 98	AMP Incorporated Harrisburg, PA 17105-3608
0 PLC ±	1 PLC ±	CHK G. GRIFFITH 04 DEC 98	CONTACT, PIN, CRIMP TYPE, SIZE 20, 18 AWG
2 PLC ±	3 PLC ±	APPV G. GRIFFITH 04 DEC 98	
4 PLC ±	ANGLES 92°	PRODUCT SPEC	RESTRICTED TO
MATERIAL	FINISH	APPLICATION SPEC	SIZE CAGE CODE DRAWING NO
		WEIGHT	A1 00779 1218266
		CUSTOMER DRAWING	SCALE 15:1 SHEET 1 OF 1 REV A