



Chipsmall Limited consists of a professional team with an average of over 10 year of expertise in the distribution of electronic components. Based in Hongkong, we have already established firm and mutual-benefit business relationships with customers from,Europe,America and south Asia,supplying obsolete and hard-to-find components to meet their specific needs.

With the principle of “Quality Parts,Customers Priority,Honest Operation,and Considerate Service”,our business mainly focus on the distribution of electronic components. Line cards we deal with include Microchip,ALPS,ROHM,Xilinx,Pulse,ON,Everlight and Freescale. Main products comprise IC,Modules,Potentiometer,IC Socket,Relay,Connector.Our parts cover such applications as commercial,industrial, and automotives areas.

We are looking forward to setting up business relationship with you and hope to provide you with the best service and solution. Let us make a better world for our industry!



Contact us

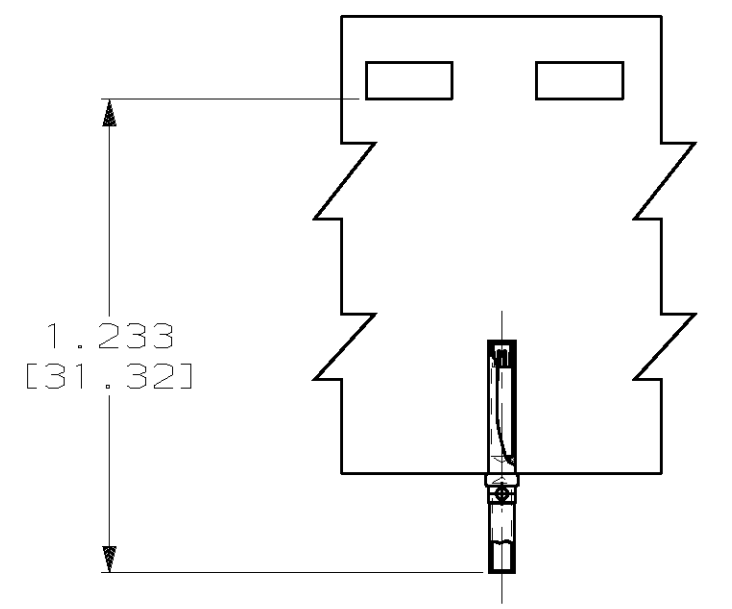
Tel: +86-755-8981 8866 Fax: +86-755-8427 6832

Email & Skype: info@chipsmall.com Web: www.chipsmall.com

Address: A1208, Overseas Decoration Building, #122 Zhenhua RD., Futian, Shenzhen, China

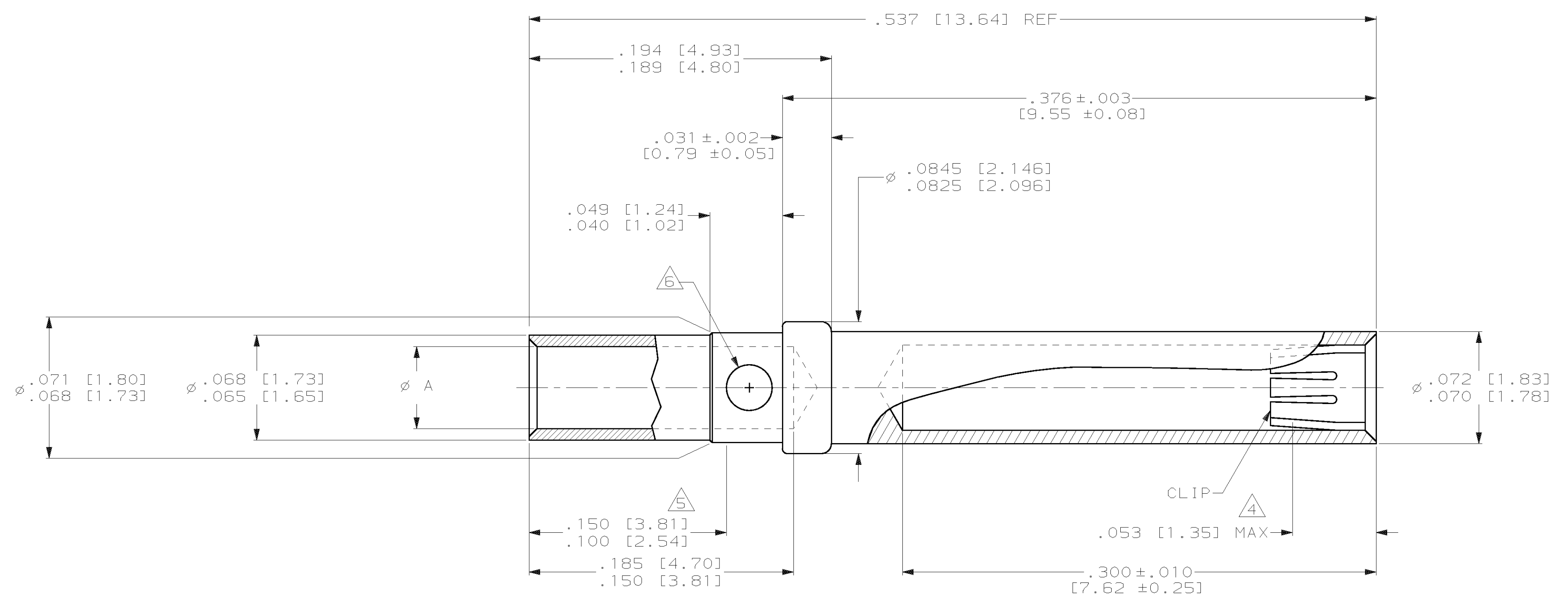


LOC		DIST		REVISIONS			
DF	DO	TR	LYR	DESCRIPTION	DATE	OWN	APVD
		C		REV PER 063D-0471-02	6-02	CT	JM



1218267-2 & -4
SCALE 2:1

- △ MATERIAL:
BODY: COPPER ALLOY
CLIP: BERYLLIUM COPPER ASTM B 194,
OR AMP ENGINEERING APPROVED EQUIVALENT.
- △ FINISH:
BODY: GOLD PLATE .000010 [0.25μm] MIN THICK ON CONTACT BODY,
OVER NICKEL PLATE .000050 [1.27μm] MIN THICK.
CLIP: GOLD PLATE .000050 [1.27μm] MIN THICK
OVER NICKEL PLATE .000100 [2.54μm] MIN THICK.
- 3. ALL DIMENSIONS SHOWN AFTER PLATING.
- △ POINT WHICH A .039 DIAMETER SQUARE ENDED PIN FIRST
ENGAGES CLIP TINES.
- △ POINT OF PLATING THICKNESS MEASUREMENT.
- △ INSPECTION HOLE THRU ONE WALL ONLY
RADIAL LOCATION OPTIONAL.



TAPE MOUNTED 20-24 AWG WIRE	.043-.046 [1.09-1.17]	△	△	1218267-4
LOOSE PIECE 20-24 AWG WIRE	.043-.046 [1.09-1.17]	△	△	1218267-3
TAPE MOUNTED 18 AWG WIRE	.051-.053 [1.30-1.35]	△	△	1218267-2
LOOSE PIECE 18 AWG WIRE	.051-.053 [1.30-1.35]	△	△	1218267-1
REMARKS	DIM A	FINISH	MATERIAL	PART NUMBER

THIS DRAWING IS A CONTROLLED DOCUMENT.

DW P BRANDBERG 08 APR 98	AMP AMP Incorporated Harrisburg, PA 17105-3608
CHK G. GRIFFITH 04 DEC 98	
APVD G. GRIFFITH 04 DEC 98	NAME: CONTACT, SOCKET, CRIMP TYPE, AMPLIMITE
PRODUCT SPEC	SIZE: A1
APPLICATION SPEC	CAGE CODE: 00779
WEIGHT: -	DRAWING NO: 1218267
SEE TABLE	SCALE: 20:1
SEE TABLE	SHEET 1 OF 1
CUSTOMER DRAWING	REV C