



Chipsmall Limited consists of a professional team with an average of over 10 year of expertise in the distribution of electronic components. Based in Hongkong, we have already established firm and mutual-benefit business relationships with customers from,Europe,America and south Asia,supplying obsolete and hard-to-find components to meet their specific needs.

With the principle of “Quality Parts,Customers Priority,Honest Operation,and Considerate Service”,our business mainly focus on the distribution of electronic components. Line cards we deal with include Microchip,ALPS,ROHM,Xilinx,Pulse,ON,Everlight and Freescale. Main products comprise IC,Modules,Potentiometer,IC Socket,Relay,Connector.Our parts cover such applications as commercial,industrial, and automotives areas.

We are looking forward to setting up business relationship with you and hope to provide you with the best service and solution. Let us make a better world for our industry!



Contact us

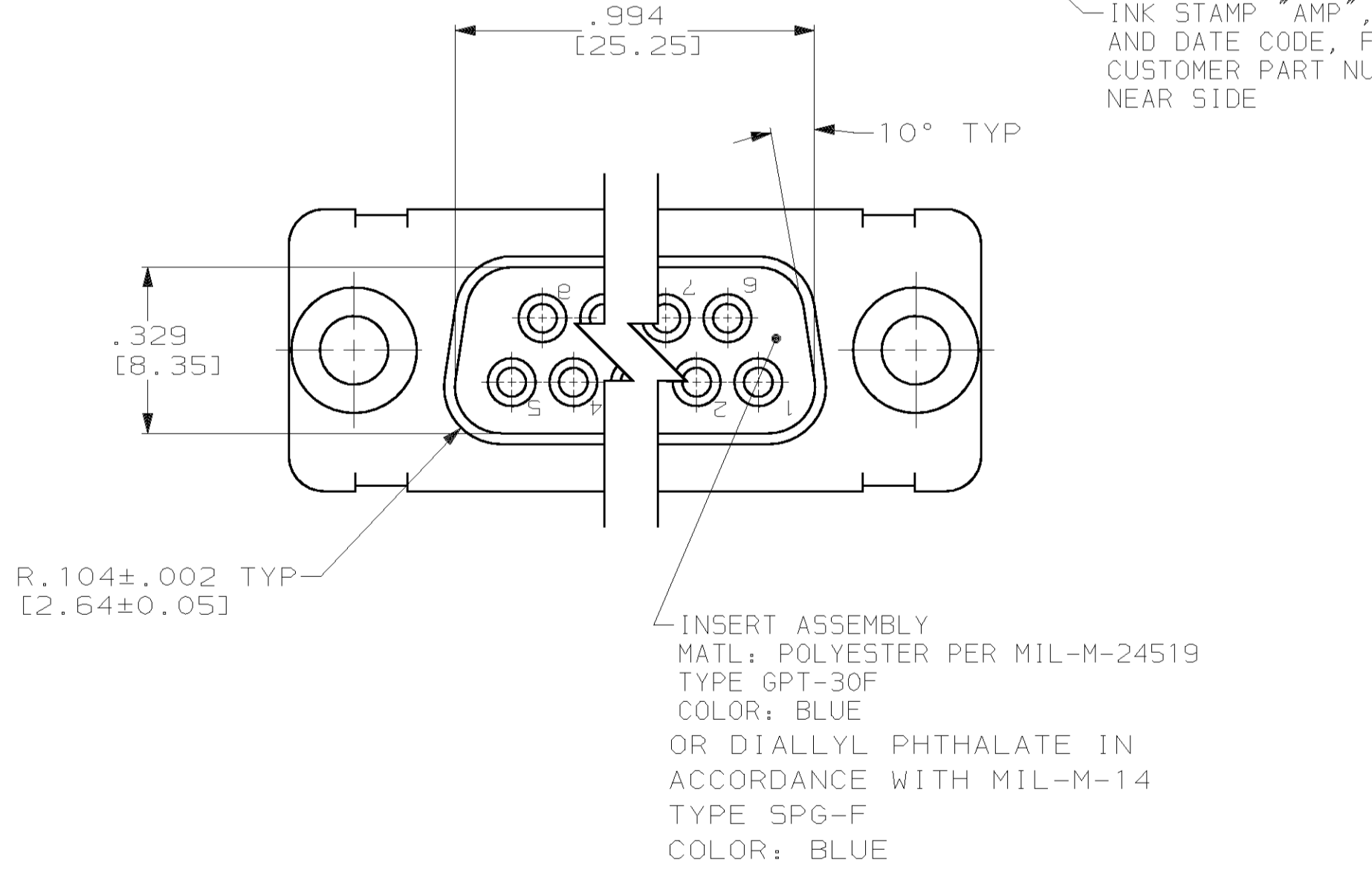
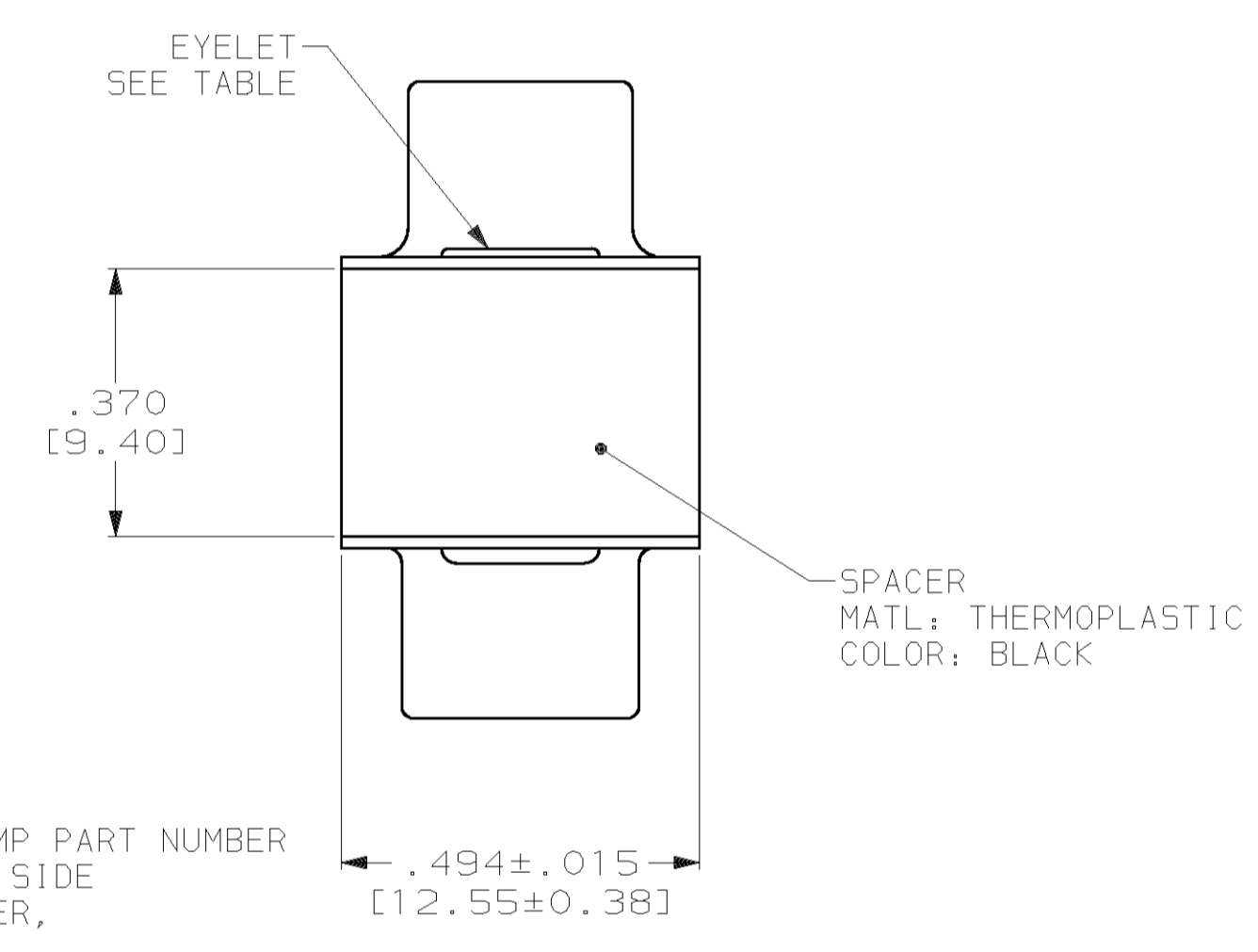
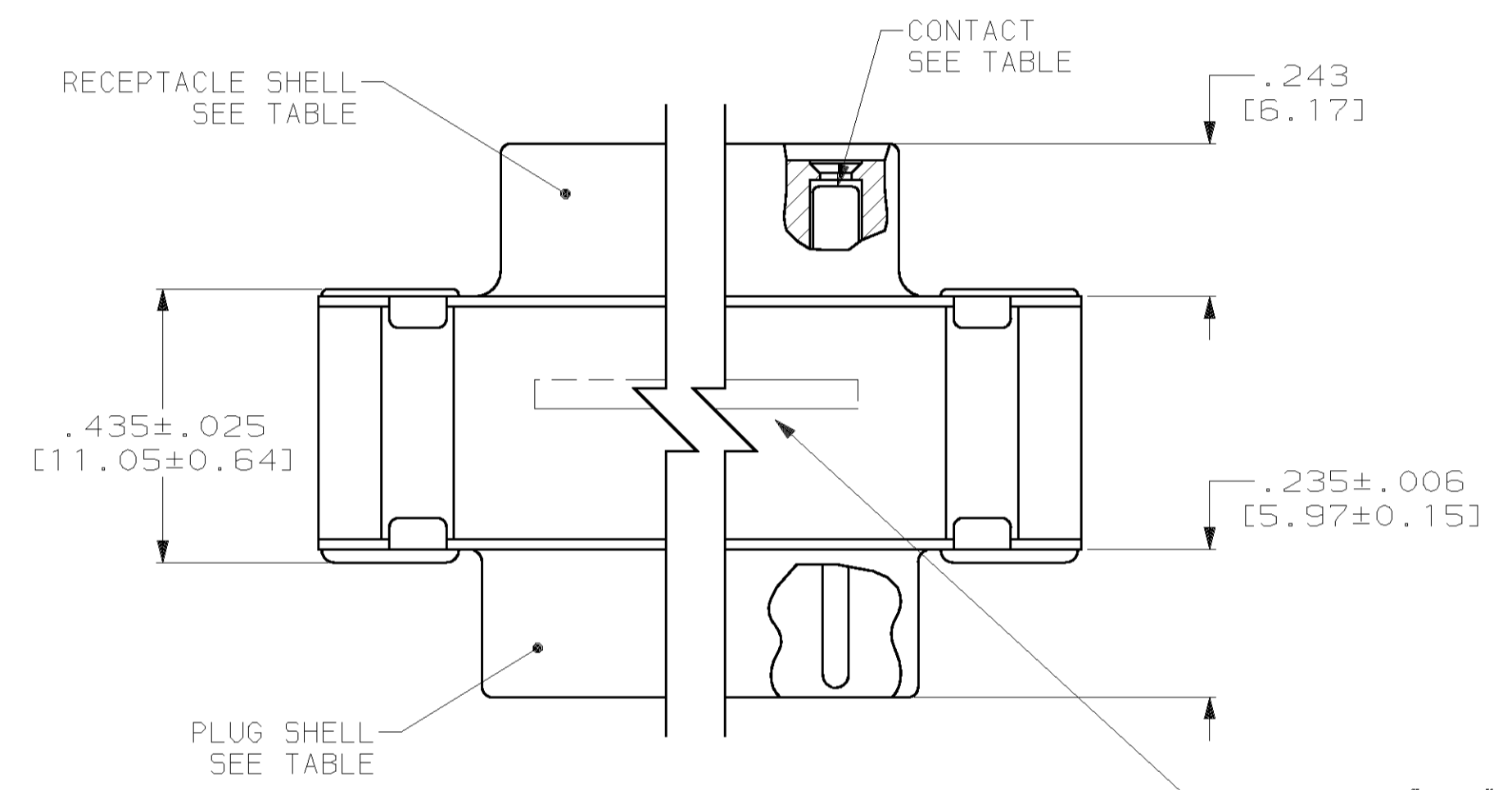
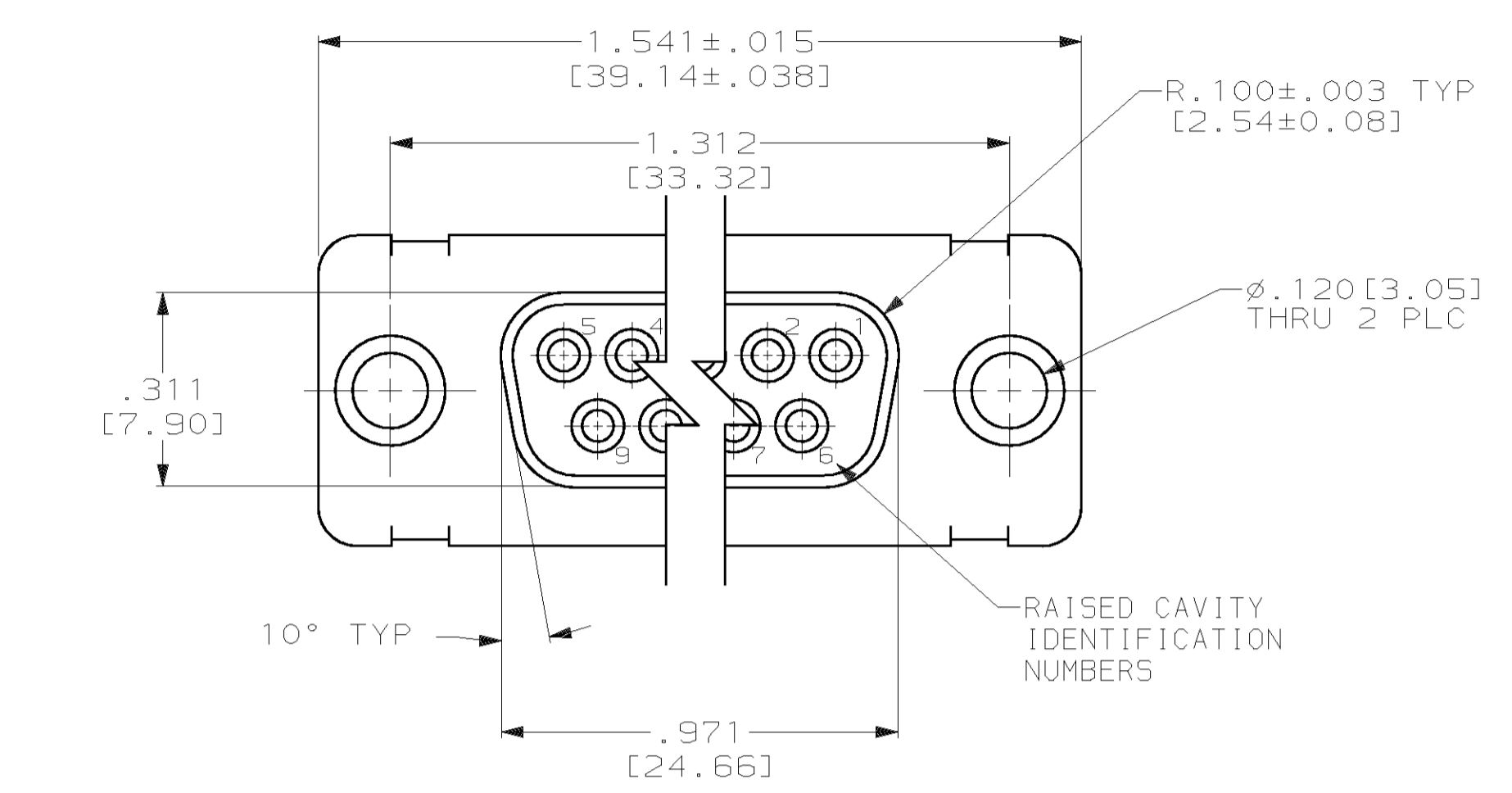
Tel: +86-755-8981 8866 Fax: +86-755-8427 6832

Email & Skype: info@chipsmall.com Web: www.chipsmall.com

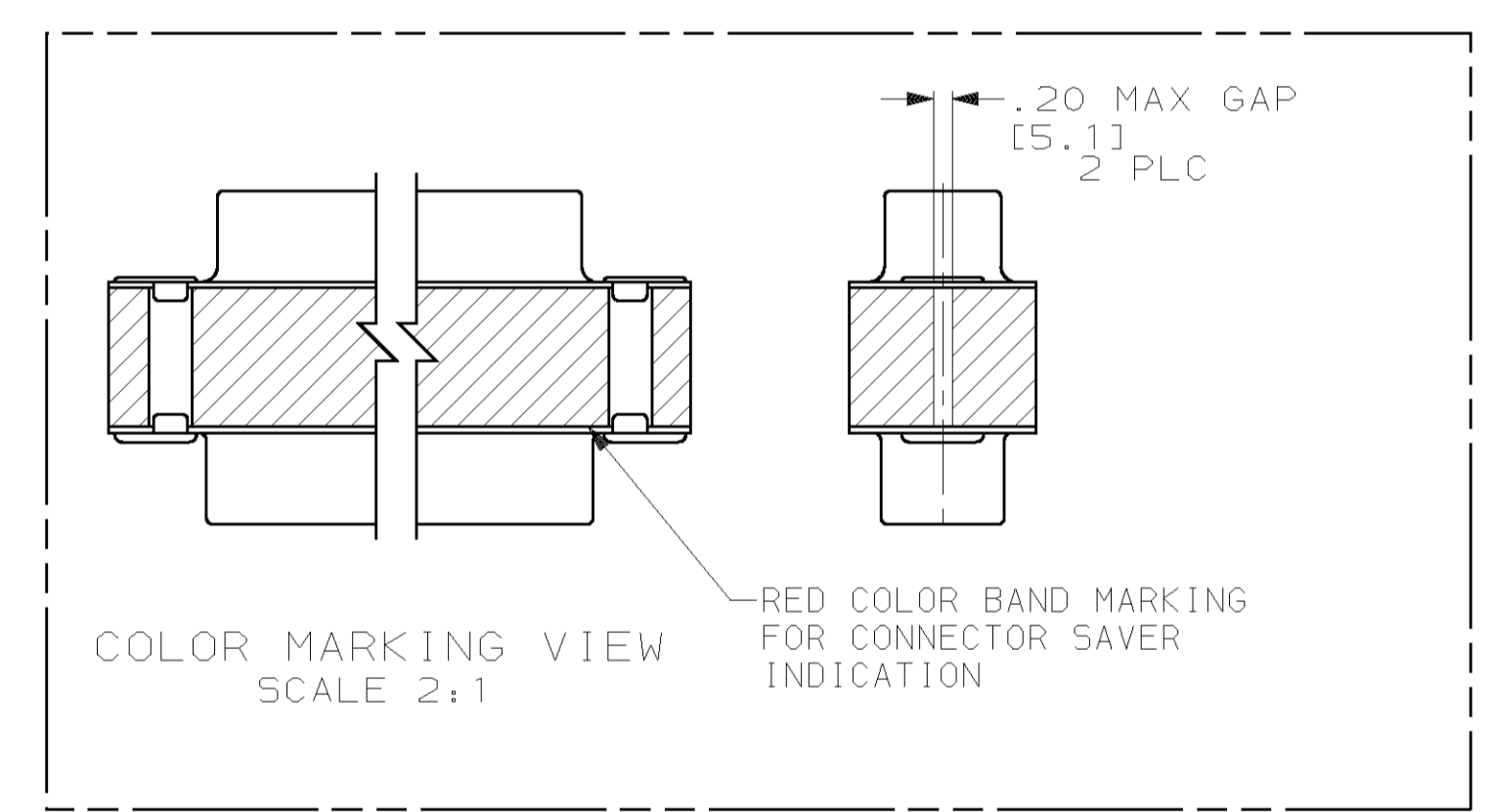
Address: A1208, Overseas Decoration Building, #122 Zhenhua RD., Futian, Shenzhen, China



LOC	DIST	REV	DATE	BY	CHK	APPV
DF	DO	C	5-02	CT	DM	
		D	7-03	JMK	LO	



- CONTACTS INCLUDED IN ASSEMBLY.
- CONTACT
 BODY MATL: BERYLLIUM COPPER PER ASTM-B-197.
 BODY FINISH: PLATED GOLD, .000050 MIN THK PER MIL-G-45204 OVER NICKEL, .000050 MIN THK PER QQ-N-290.
 HOOD MATL: STAINLESS STEEL PER ASTM-A-167.
 HOOD FINISH: PASSIVATED PER ASTM-A-380
- MATL: BRASS PER ASTM-B-36.
- FINISH: PLATED GOLD, .000050 MIN THK PER MIL-G-45204 OVER COPPER, .000100 MIN THK PER MIL-C-14550.



REV	DATE	BY	CHK	APPV	DESCRIPTION	DATE	BY	CHK	APPV
3/4					4U884 50CN R10002677-0002	1218304-2			
3/4					(1J02-002)	1218304-1			
EYELET		SHELLS		CONTACT	CUSTOMER P/N	PART NO.			

THIS DRAWING IS A CONTROLLED DOCUMENT.		I. THOMPSON 19AUG98		AMP Incorporated Harrisburg, PA 17105-3608	
DIMENSIONS: IN (mm)		TOLERANCES UNLESS OTHERWISE SPECIFIED:		NAME: AMP	
0 PLC	±.005	1 PLC	±.002	PRODUCT SPEC	
2 PLC	±.001	3 PLC	±.001	APPLICATION SPEC	
4 PLC	±.001	ANGLES	±.001	SIZE: A1	
MATERIAL		FINISH		CAGE CODE: 00779	
CUSTOMER DRAWING		SCALE: 4:1		SHEET 1 OF 1	