



Chipsmall Limited consists of a professional team with an average of over 10 year of expertise in the distribution of electronic components. Based in Hongkong, we have already established firm and mutual-benefit business relationships with customers from,Europe,America and south Asia,supplying obsolete and hard-to-find components to meet their specific needs.

With the principle of “Quality Parts,Customers Priority,Honest Operation,and Considerate Service”,our business mainly focus on the distribution of electronic components. Line cards we deal with include Microchip,ALPS,ROHM,Xilinx,Pulse,ON,Everlight and Freescale. Main products comprise IC,Modules,Potentiometer,IC Socket,Relay,Connector.Our parts cover such applications as commercial,industrial, and automotives areas.

We are looking forward to setting up business relationship with you and hope to provide you with the best service and solution. Let us make a better world for our industry!



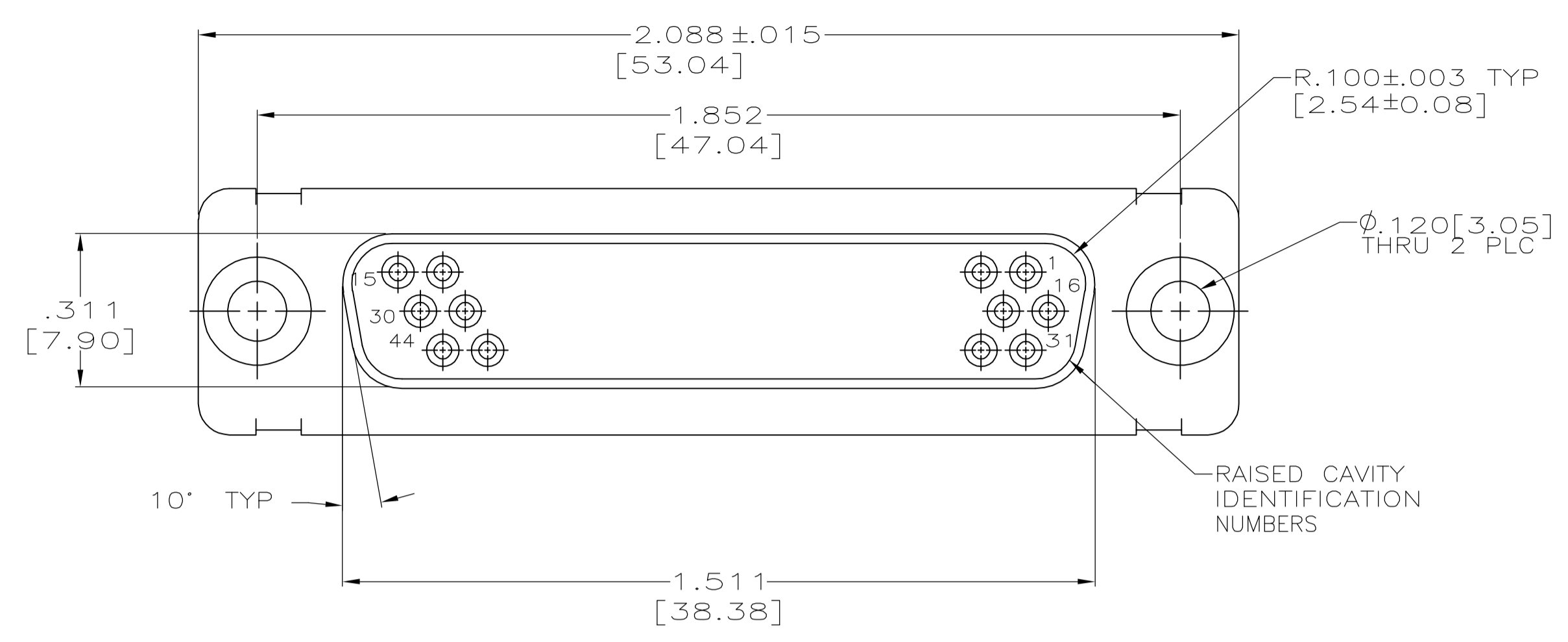
## Contact us

Tel: +86-755-8981 8866 Fax: +86-755-8427 6832

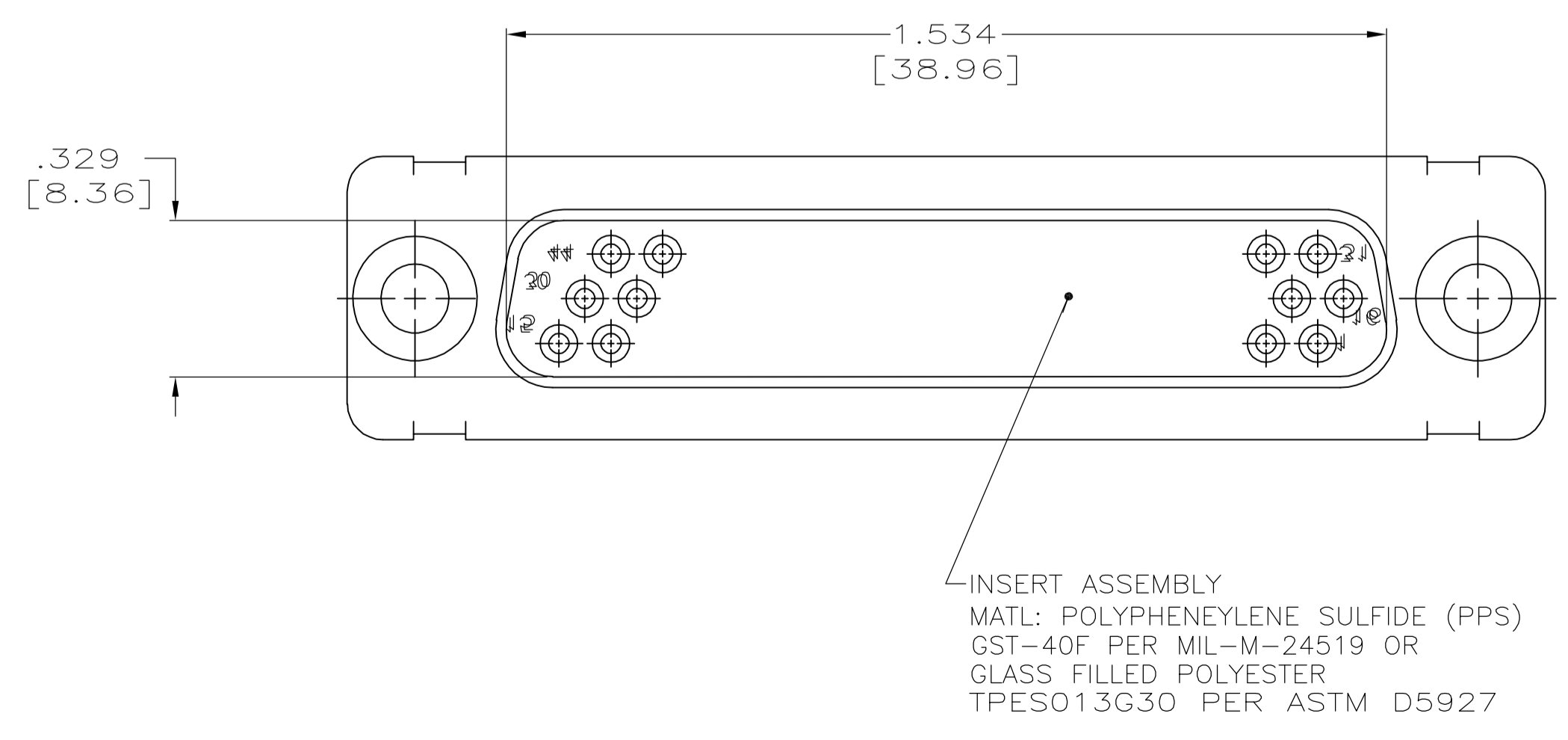
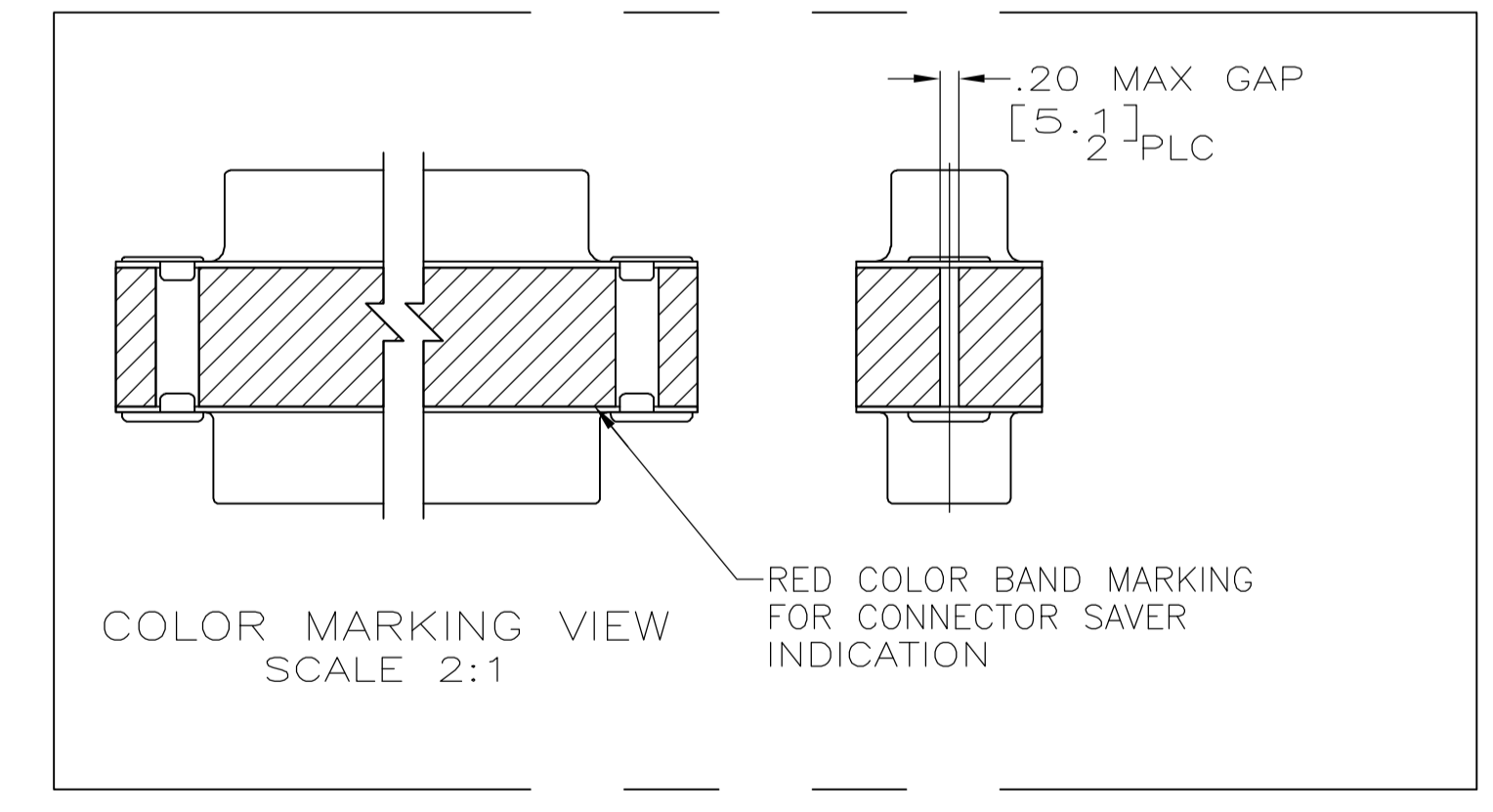
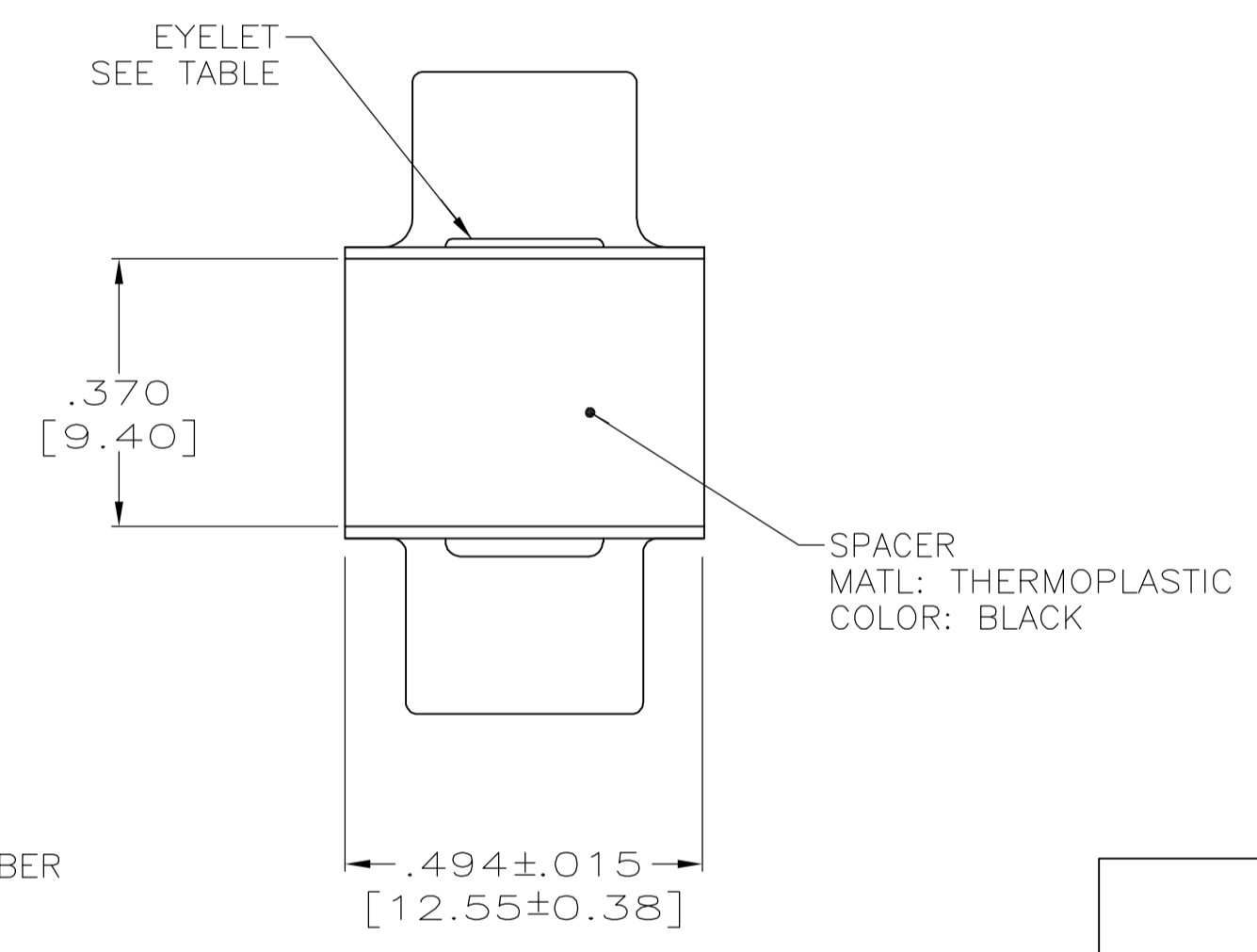
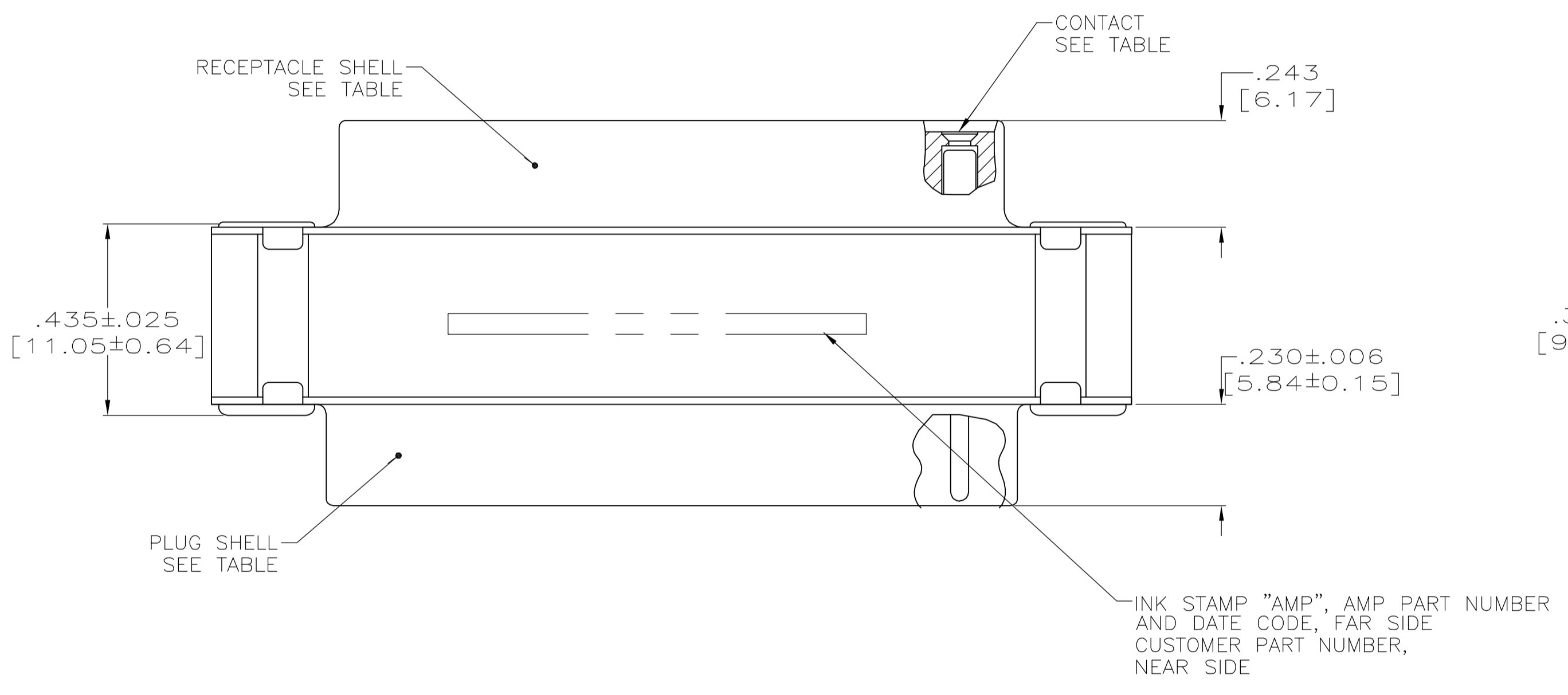
Email & Skype: info@chipsmall.com Web: www.chipsmall.com

Address: A1208, Overseas Decoration Building, #122 Zhenhua RD., Futian, Shenzhen, China





- 1. CONTACTS INCLUDED IN ASSEMBLY.
- CONTACT
- BODY MATL: BERYLLIUM COPPER PER ASTM-B-197.
- BODY FINISH: PLATED GOLD, .000050 MIN THK PER MIL-G-45204 OVER NICKEL, .000050 MIN THK PER QQ-N-290.
- HOOD MATL: STAINLESS STEEL PER ASTM-A-167.
- HOOD FINISH: PASSIVATED PER ASTM-A-380
- MATL: BRASS PER ASTM-B-36.
- FINISH: PLATED GOLD, .000050 MIN THK PER MIL-G-45204 OVER COPPER, .000100 MIN THK PER MIL-C-14550.



$\triangle 3$	$\triangle 4$	$\triangle 2$	4U884 SOCN R10002677-0008	1218310-2
$\triangle 3$	$\triangle 4$	$\triangle 2$	(1J02-008)	1218310-1
EYELET	SHELLS	CONTACT	CUSTOMER P/N	PART NO.

THIS DRAWING IS A CONTROLLED DOCUMENT.		DWN T. THOMPSON 19AUG98	Tyco Electronics Corporation Harrisburg, PA 17105-3608	
DIMENSIONS: INCHES		CHK J. NORTON 19AUG98	Tyco Electronics	
TOLERANCES UNLESS OTHERWISE SPECIFIED:		APVD J. NORTON 19AUG98	NAME AMPLIMITE CONNECTOR SAVER	
0 PLC ± -		PRODUCT SPEC	SERIES 90, SIZE 3, 44 POS	
1 PLC ± -		APPLICATION SPEC	NON-REMOVABLE CONTACTS	
2 PLC ± -		SIZE	A1	00779
3 PLC ± .005(0.13)		WEIGHT	C=1218310	
4 PLC ± -		CUSTOMER DRAWING	SCALE 4:1	SHEET 1 OF 1
ANGLES ± -		RESTRICTED TO	REV E	