



Chipsmall Limited consists of a professional team with an average of over 10 year of expertise in the distribution of electronic components. Based in Hongkong, we have already established firm and mutual-benefit business relationships with customers from,Europe,America and south Asia,supplying obsolete and hard-to-find components to meet their specific needs.

With the principle of “Quality Parts,Customers Priority,Honest Operation,and Considerate Service”,our business mainly focus on the distribution of electronic components. Line cards we deal with include Microchip,ALPS,ROHM,Xilinx,Pulse,ON,Everlight and Freescale. Main products comprise IC,Modules,Potentiometer,IC Socket,Relay,Connector.Our parts cover such applications as commercial,industrial, and automotives areas.

We are looking forward to setting up business relationship with you and hope to provide you with the best service and solution. Let us make a better world for our industry!



Contact us

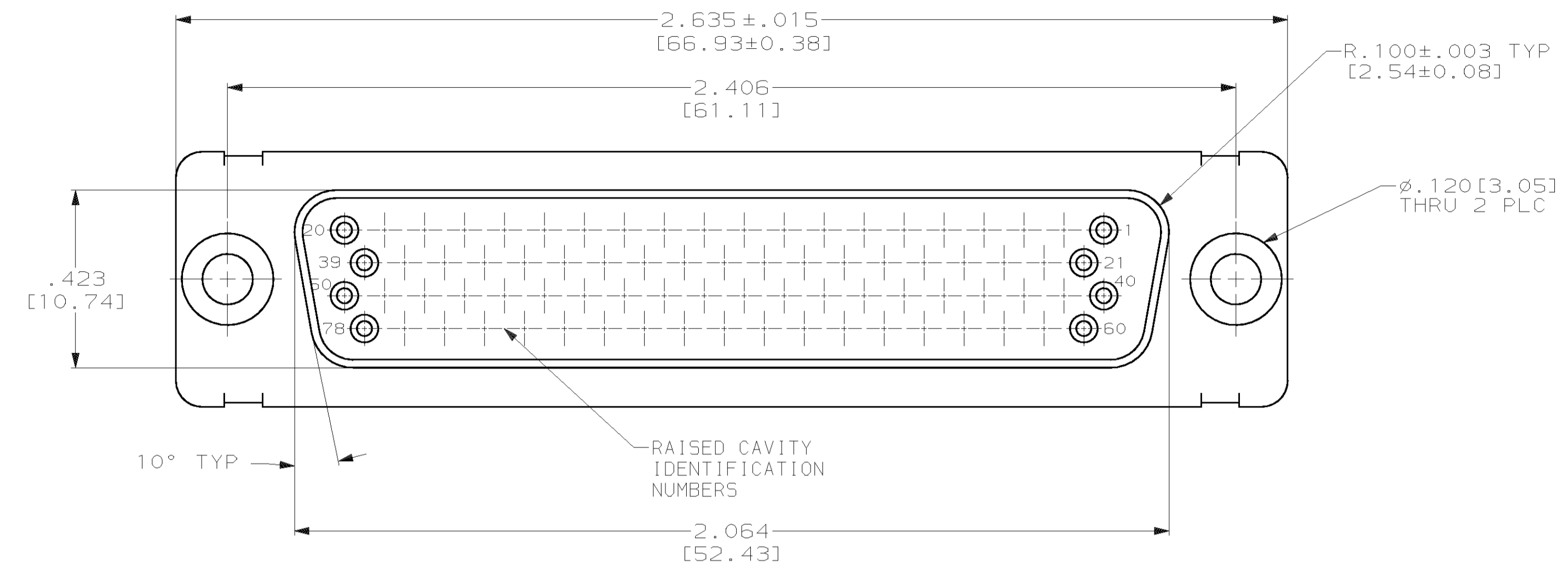
Tel: +86-755-8981 8866 Fax: +86-755-8427 6832

Email & Skype: info@chipsmall.com Web: www.chipsmall.com

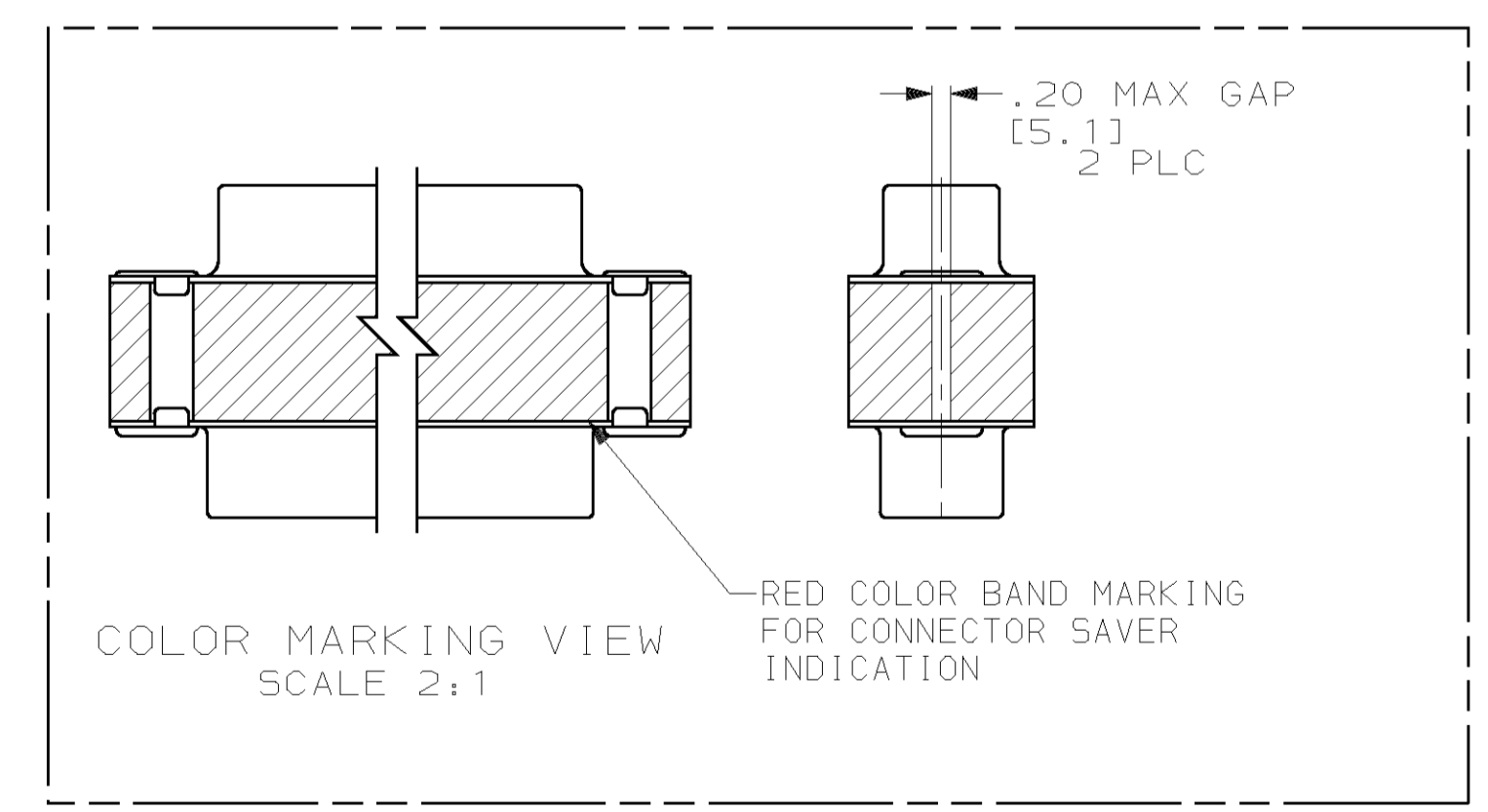
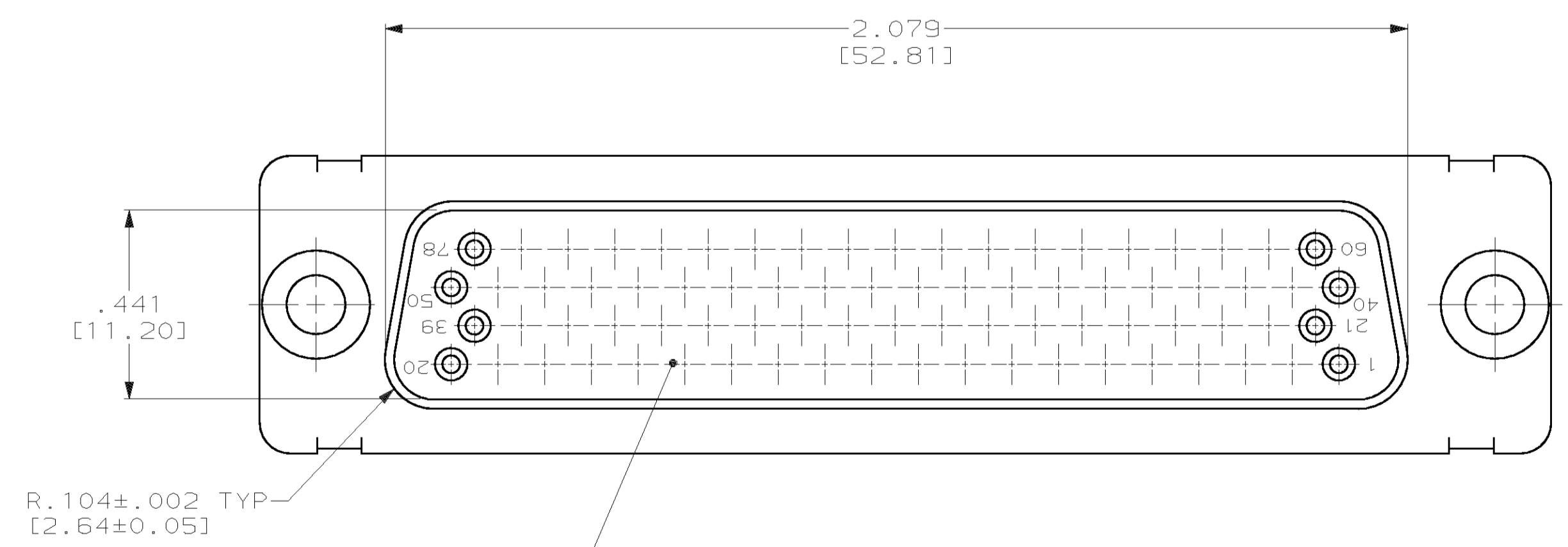
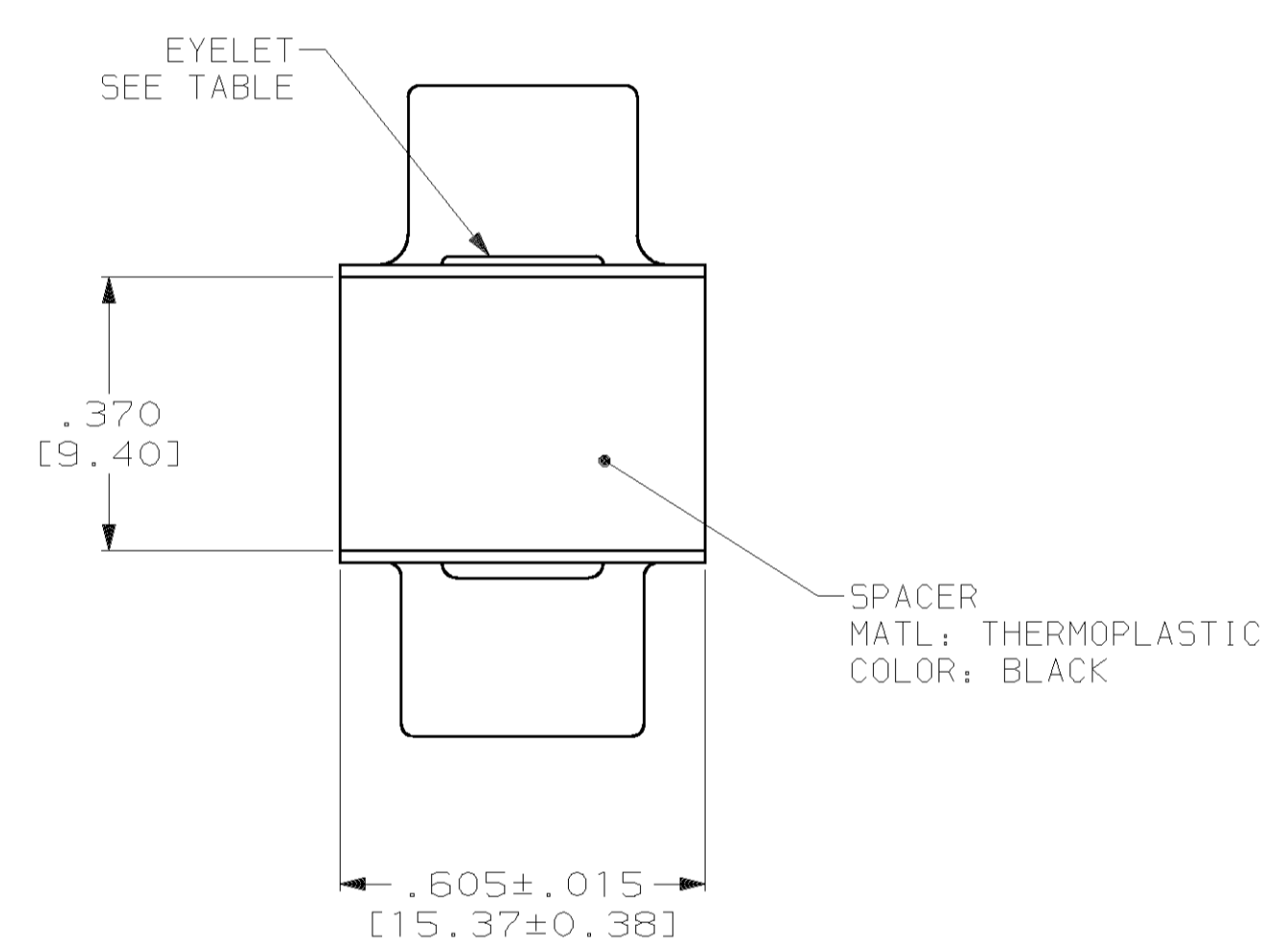
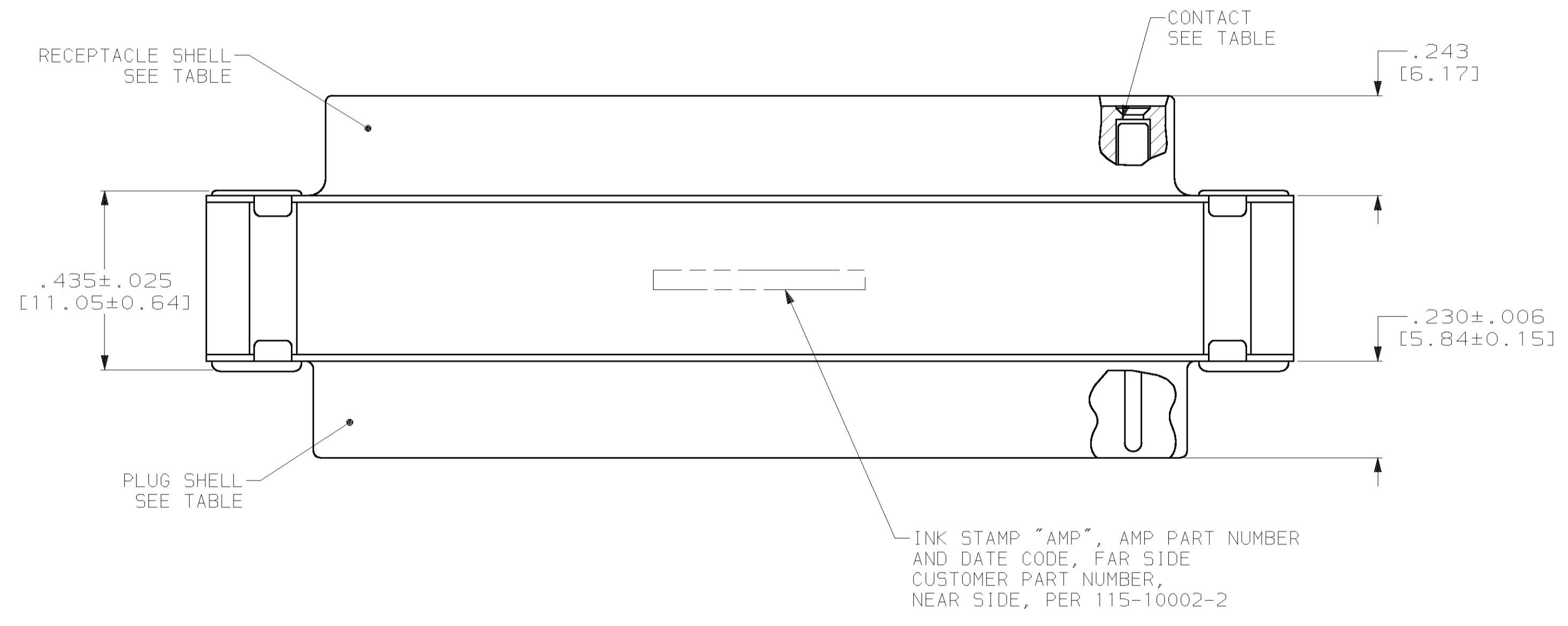
Address: A1208, Overseas Decoration Building, #122 Zhenhua RD., Futian, Shenzhen, China



REVISONS		DATE	OWN	APPRO
DF	DO			
D	REV PER 0630-320-01	5-02	CT	DM
F	REV PER 0630-0619-02	7/03	JMK	LO



- CONTACTS INCLUDED IN ASSEMBLY.
- CONTACT
 BODY MATL: BERYLLIUM COPPER PER ASTM-B-197.
 BODY FINISH: PLATED GOLD, .000050 MIN THK PER MIL-G-45204 OVER NICKEL, .000050 MIN THK PER QQ-N-290.
 HOOD MATL: STAINLESS STEEL PER ASTM-A-167.
 HOOD FINISH: PASSIVATED PER ASTM-A-380.
- MATL: BRASS PER ASTM-B-36.
- FINISH: PLATED GOLD, .000050 MIN THK PER MIL-G-45204 OVER COPPER, .000100 MIN THK PER MIL-C-14550.



2/4	2/4	2	4U884 SOCN R10002677-0010 (1J02-010)	1218312-2
2/4	2/4	2		1218312-1
EYELET	SHELLS	CONTACT	CUSTOMER P/N	PART NO.

THIS DRAWING IS A CONTROLLED DOCUMENT.		I. THOMPSON 20AUG98		AMP Incorporated Harrisburg, PA 17105-3608	
DIMENSIONS: IN(mm)		TOLERANCES UNLESS OTHERWISE SPECIFIED:		APPROVED: J. NORTON 20AUG98 NAME: J. NORTON	
0 PLC	±	1 PLC	±	PRODUCT SPEC	
2 PLC	±	3 PLC	±	APPLICATION SPEC	
4 PLC	±	ANGLES	±	SIZE: A1	
MATERIAL		FINISH		CAGE CODE DRAWING NO: 00779-1218312	
CUSTOMER DRAWING			SCALE: 4:1	SHEET: 1 OF 1	REV: F