



Chipsmall Limited consists of a professional team with an average of over 10 year of expertise in the distribution of electronic components. Based in Hongkong, we have already established firm and mutual-benefit business relationships with customers from,Europe,America and south Asia,supplying obsolete and hard-to-find components to meet their specific needs.

With the principle of “Quality Parts,Customers Priority,Honest Operation,and Considerate Service”,our business mainly focus on the distribution of electronic components. Line cards we deal with include Microchip,ALPS,ROHM,Xilinx,Pulse,ON,Everlight and Freescale. Main products comprise IC,Modules,Potentiometer,IC Socket,Relay,Connector.Our parts cover such applications as commercial,industrial, and automotives areas.

We are looking forward to setting up business relationship with you and hope to provide you with the best service and solution. Let us make a better world for our industry!



## Contact us

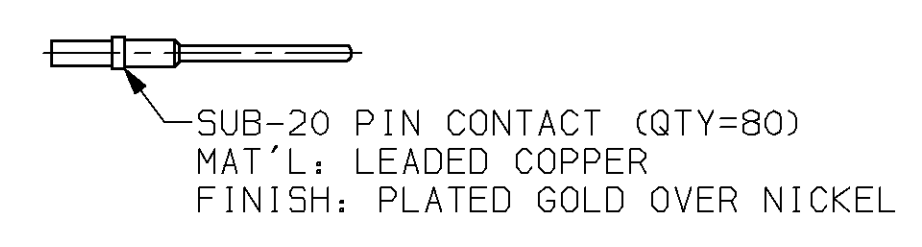
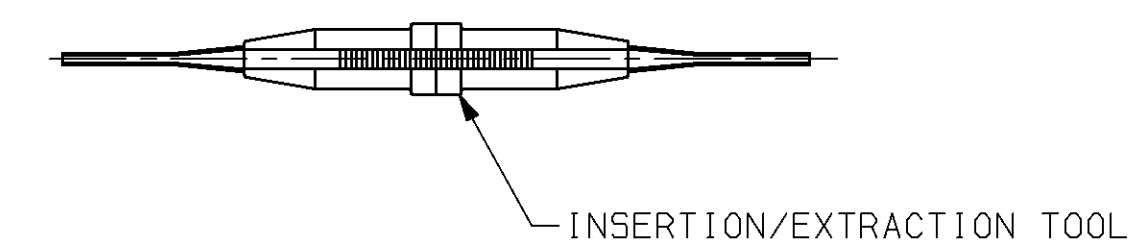
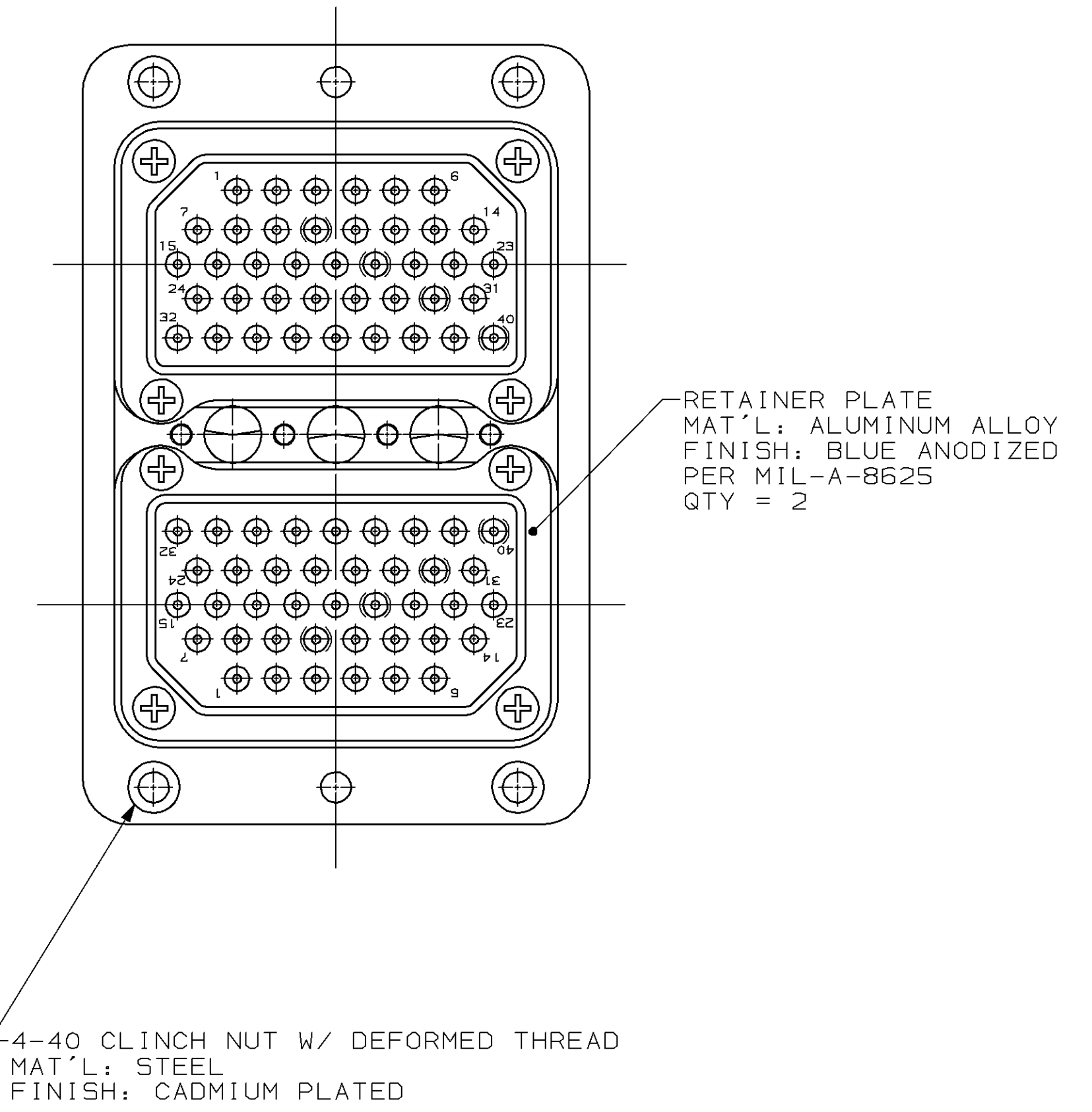
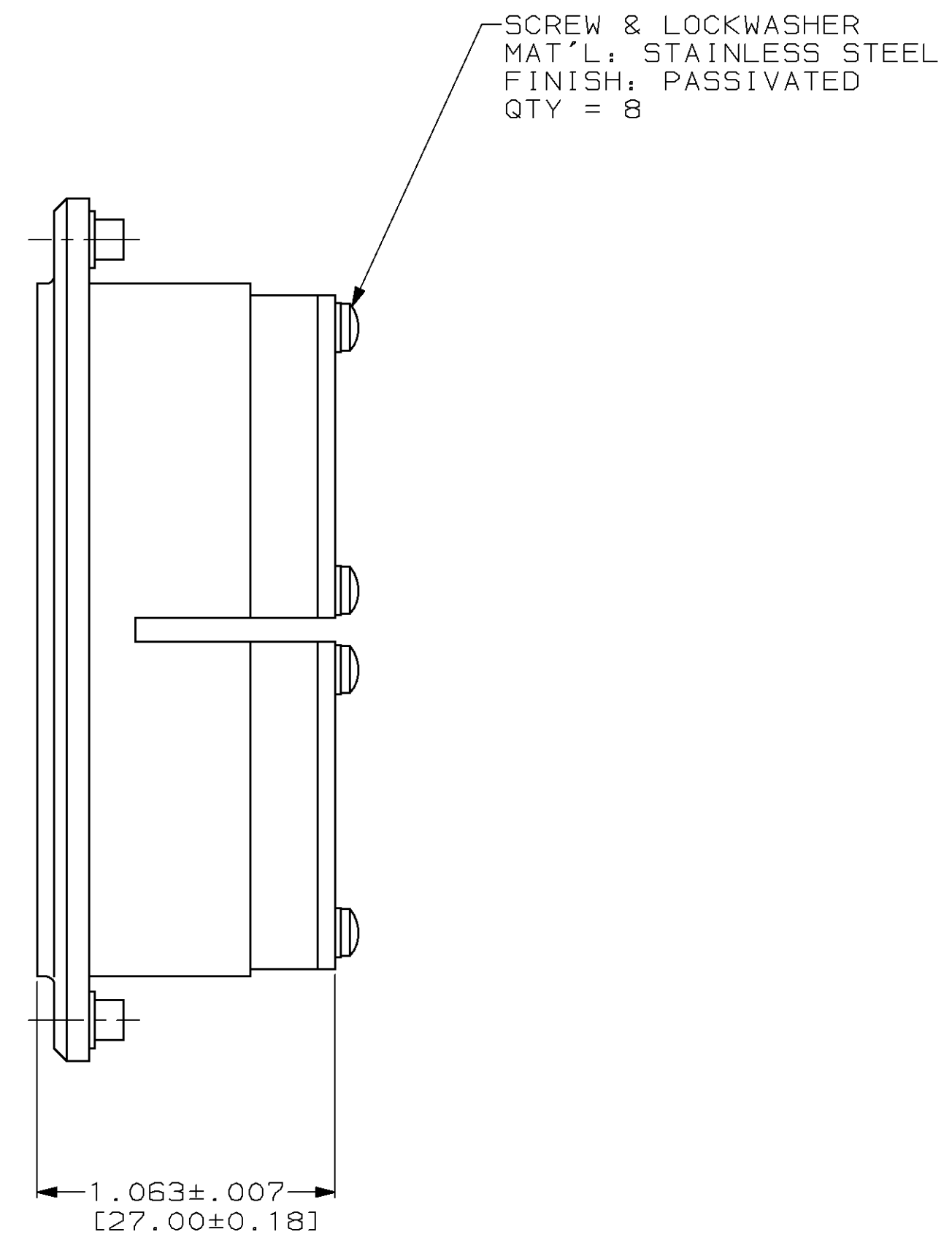
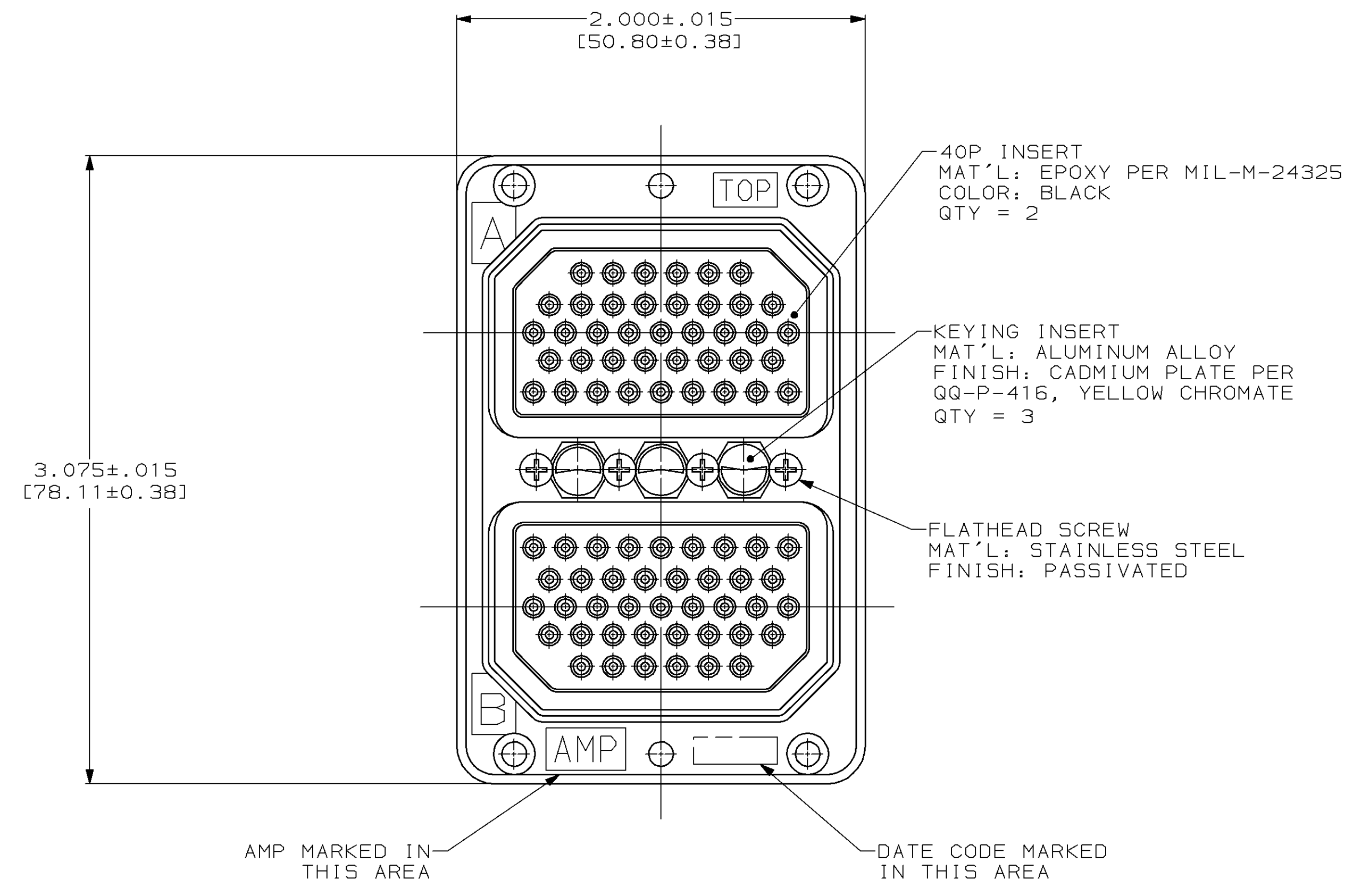
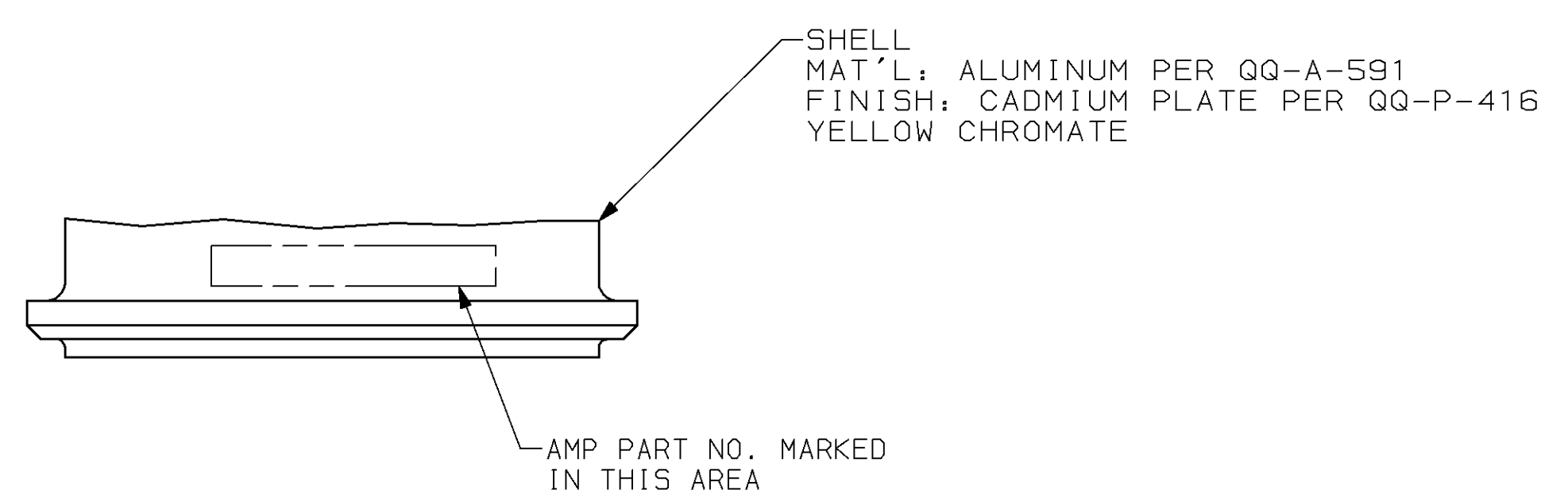
Tel: +86-755-8981 8866 Fax: +86-755-8427 6832

Email & Skype: info@chipsmall.com Web: www.chipsmall.com

Address: A1208, Overseas Decoration Building, #122 Zhenhua RD., Futian, Shenzhen, China



LOC		DIST		REVISIONS			
DF	AO	P	LTR	DESCRIPTION	DATE	OWN	APVD
		0		RELEASED PER 0600-7677-98	8-98	CT	DB



- CONTACTS ARE SHIPPED WITH CONNRCATOR; NOT LOADED.
- KEYING ASSEMBLED IN POSITION "04"

1218342-1  
 PART NO.

<small>THIS DRAWING IS A CONTROLLED DOCUMENT FOR AMP TECHNOLOGIES. IT IS SUBJECT TO CHANGE AND THE CONTROLLING ENGINEERING DEPARTMENT SHOULD BE CONTACTED FOR THE LATEST REVISION.</small>		DWN C. C. THOMAS 8-18-98 CHK D. BELL 8-20-98 APVD D. BELL 8-20-98	<b>AMP</b> AMP Incorporated Harrisburg, PA 17105-3508
DIMENSIONS: (INCHES [mm])	TOLERANCES UNLESS OTHERWISE SPECIFIED: 0 PLC ±- 1 PLC ±- 2 PLC ±- 3 PLC ±.005 (0.13) 4 PLC ±- ANGLES ±-	NAME RECEPTACLE ASSY, ARINC 404, RM2R40P40P-0104 (200)	SIZE A1
MATERIAL	FINISH	APPLICATION SPEC WEIGHT CUSTOMER DRAWING	CAGE CODE 00779
		SCALE 2:1	DRAWING NO. 1218342
		SHEET 1 OF 1	REV 0