



Chipsmall Limited consists of a professional team with an average of over 10 year of expertise in the distribution of electronic components. Based in Hongkong, we have already established firm and mutual-benefit business relationships with customers from,Europe,America and south Asia,supplying obsolete and hard-to-find components to meet their specific needs.

With the principle of "Quality Parts,Customers Priority,Honest Operation,and Considerate Service",our business mainly focus on the distribution of electronic components. Line cards we deal with include Microchip,ALPS,ROHM,Xilinx,Pulse,ON,Everlight and Freescale. Main products comprise IC,Modules,Potentiometer,IC Socket,Relay,Connector.Our parts cover such applications as commercial,industrial, and automotives areas.

We are looking forward to setting up business relationship with you and hope to provide you with the best service and solution. Let us make a better world for our industry!



## Contact us

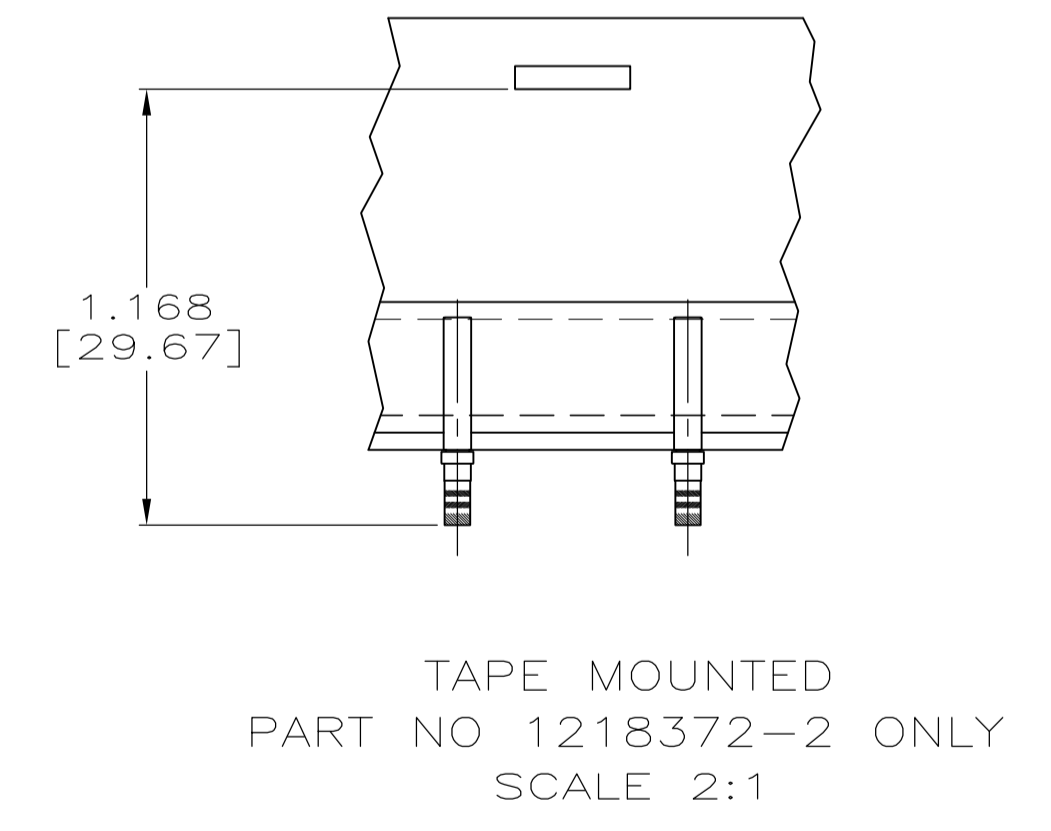
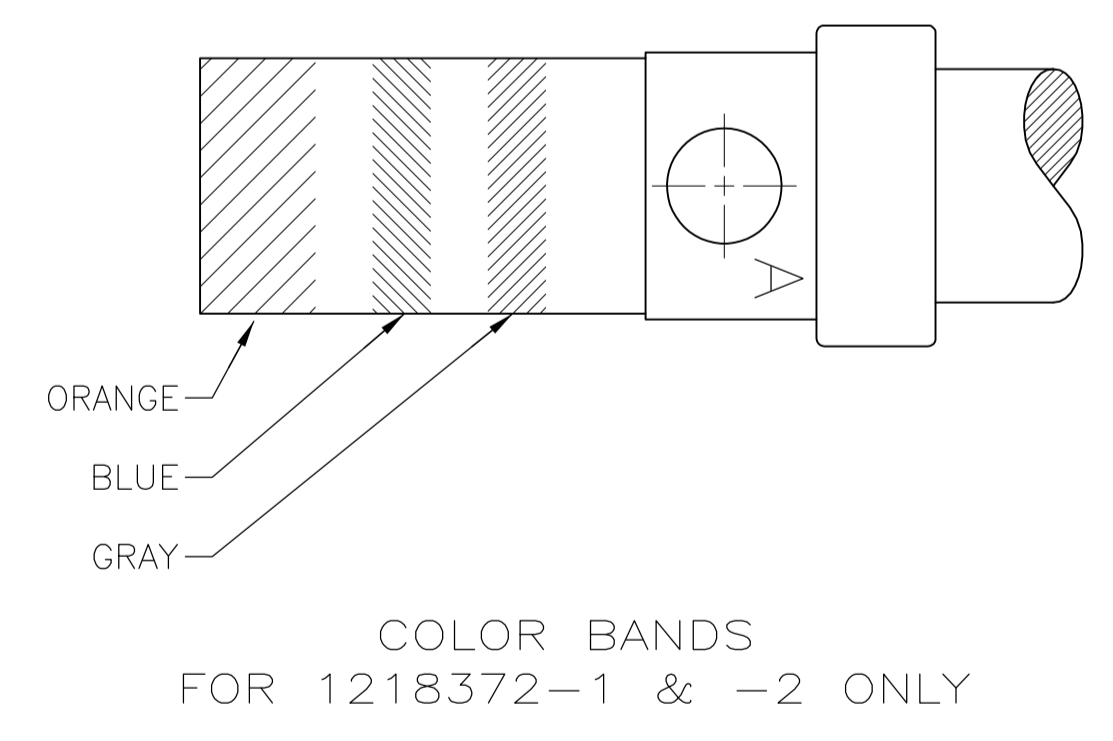
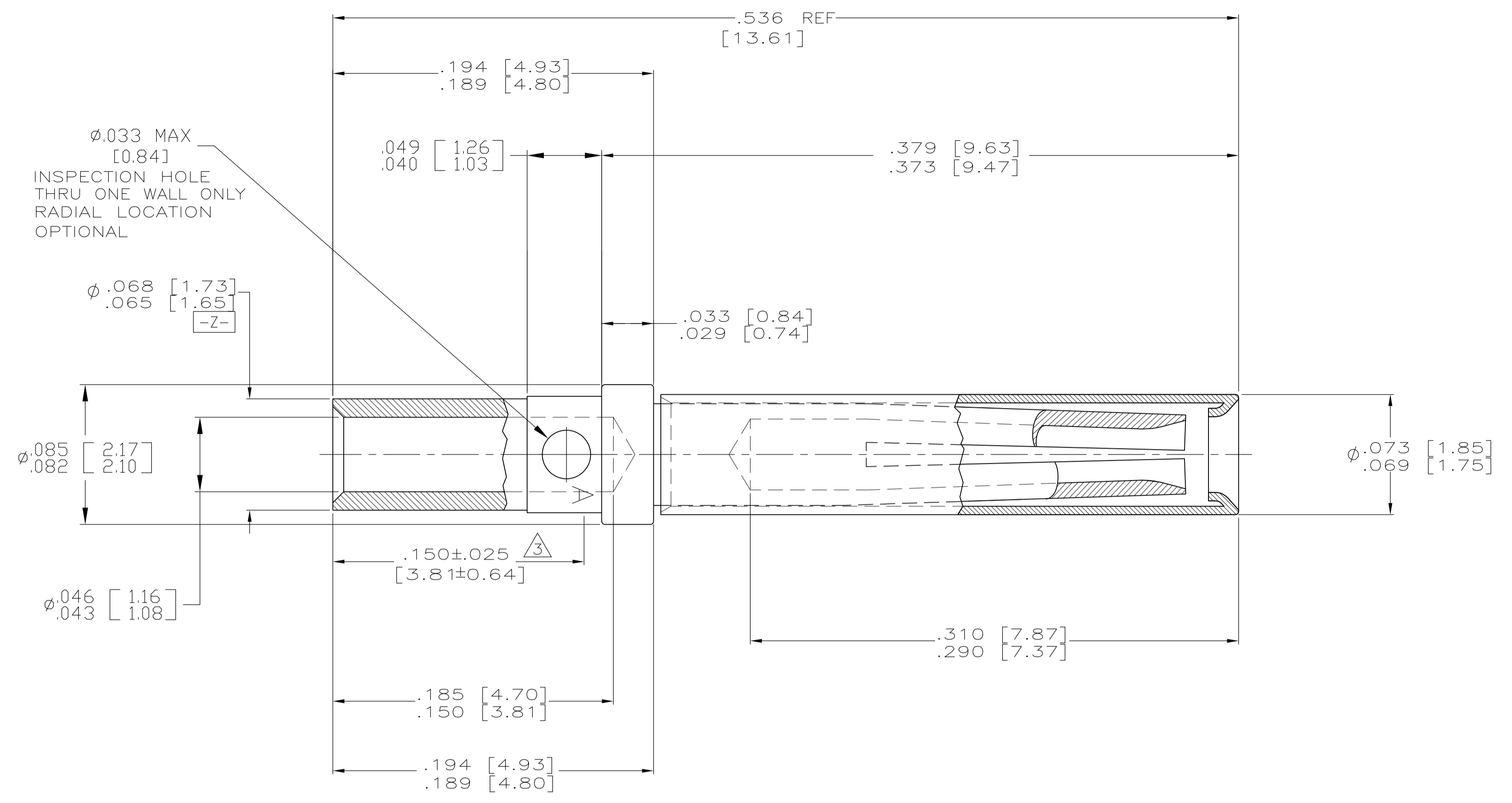
Tel: +86-755-8981 8866 Fax: +86-755-8427 6832

Email & Skype: info@chipsmall.com Web: www.chipsmall.com

Address: A1208, Overseas Decoration Building, #122 Zhenhua RD., Futian, Shenzhen, China



LOC		DIST		REVISIONS			
P	LTR	DESCRIPTION	DATE	DWN	APVD		
A		REV PER ECO 09-013463	6-19-09	CT	RL		



- △ FINISH: GOLD PLATED PER MIL-G-45204, TYPE II, OVER NICKEL PER QQ-N-290.
- △ FINISH: GOLD PLATED PER MIL-G-45204, TYPE II, OVER COPPER PER MIL-C-14550, CLASS 4.
- △ POINT OF PLATING THICKNESS MEASUREMENT.
- 4. ALL DIAMETERS  $\pm .004 Z$  UNLESS OTHERWISE SPECIFIED.
- 5. THIS PART COMPLIES WITH MIL-C-39029/63 AND M24308/10-1.
- 6. ALL SURFACES HAVE A63 OR BETTER FINISH, UNLESS OTHERWISE SPECIFIED.

REMARKS	FINISH	PART NUMBER
SUPERSEDED BY 205090-2	WITHOUT COLOR CODE	1218372-3
SUPERSEDED BY 205090-1	CONTACTS ON TAPE	1218372-2
	AS SHOWN	1218372-1

THIS DRAWING IS A CONTROLLED DOCUMENT.

DIMENSIONS: INCHES	TOLERANCES UNLESS OTHERWISE SPECIFIED:	DIN C.C.THOMAS 1-25-99	2-22-99	Tyco Electronics Corporation Harrisburg, PA 17105-3608
	0. PLC ± -	1. PLC ± -	2. PLC ± -	3. PLC ± -
	4. PLC ± -	ANGLES ± -		
MATERIAL	FINISH	WEIGHT	SIZE A1	CAGE CODE 00779
			DRAWING NO. 1218372	RESTRICTED TO
			CUSTOMER DRAWING	SCALE 20:1 SHEET 1 OF 1 REV A