



Chipsmall Limited consists of a professional team with an average of over 10 year of expertise in the distribution of electronic components. Based in Hongkong, we have already established firm and mutual-benefit business relationships with customers from,Europe,America and south Asia,supplying obsolete and hard-to-find components to meet their specific needs.

With the principle of “Quality Parts,Customers Priority,Honest Operation,and Considerate Service”,our business mainly focus on the distribution of electronic components. Line cards we deal with include Microchip,ALPS,ROHM,Xilinx,Pulse,ON,Everlight and Freescale. Main products comprise IC,Modules,Potentiometer,IC Socket,Relay,Connector.Our parts cover such applications as commercial,industrial, and automotives areas.

We are looking forward to setting up business relationship with you and hope to provide you with the best service and solution. Let us make a better world for our industry!



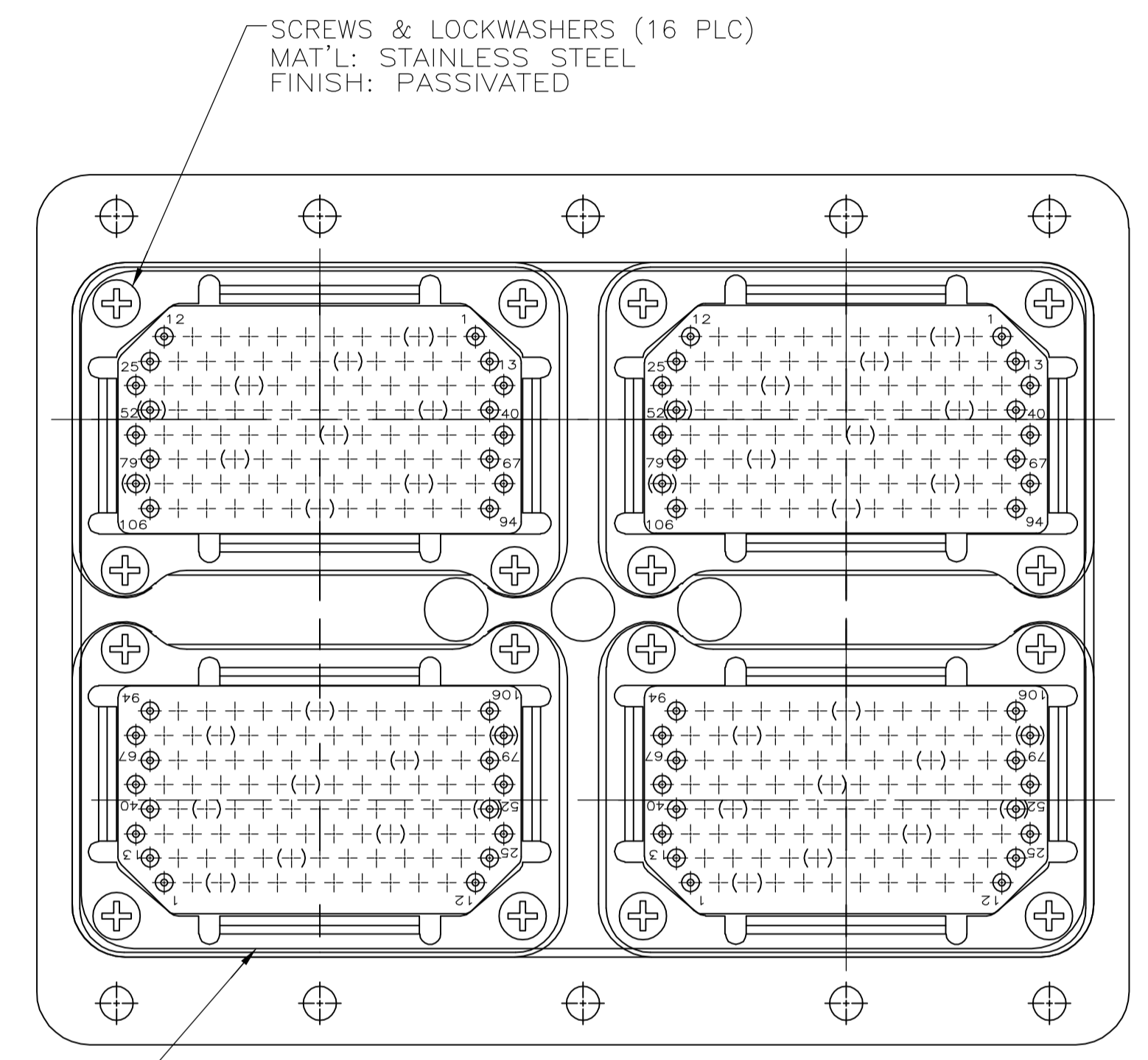
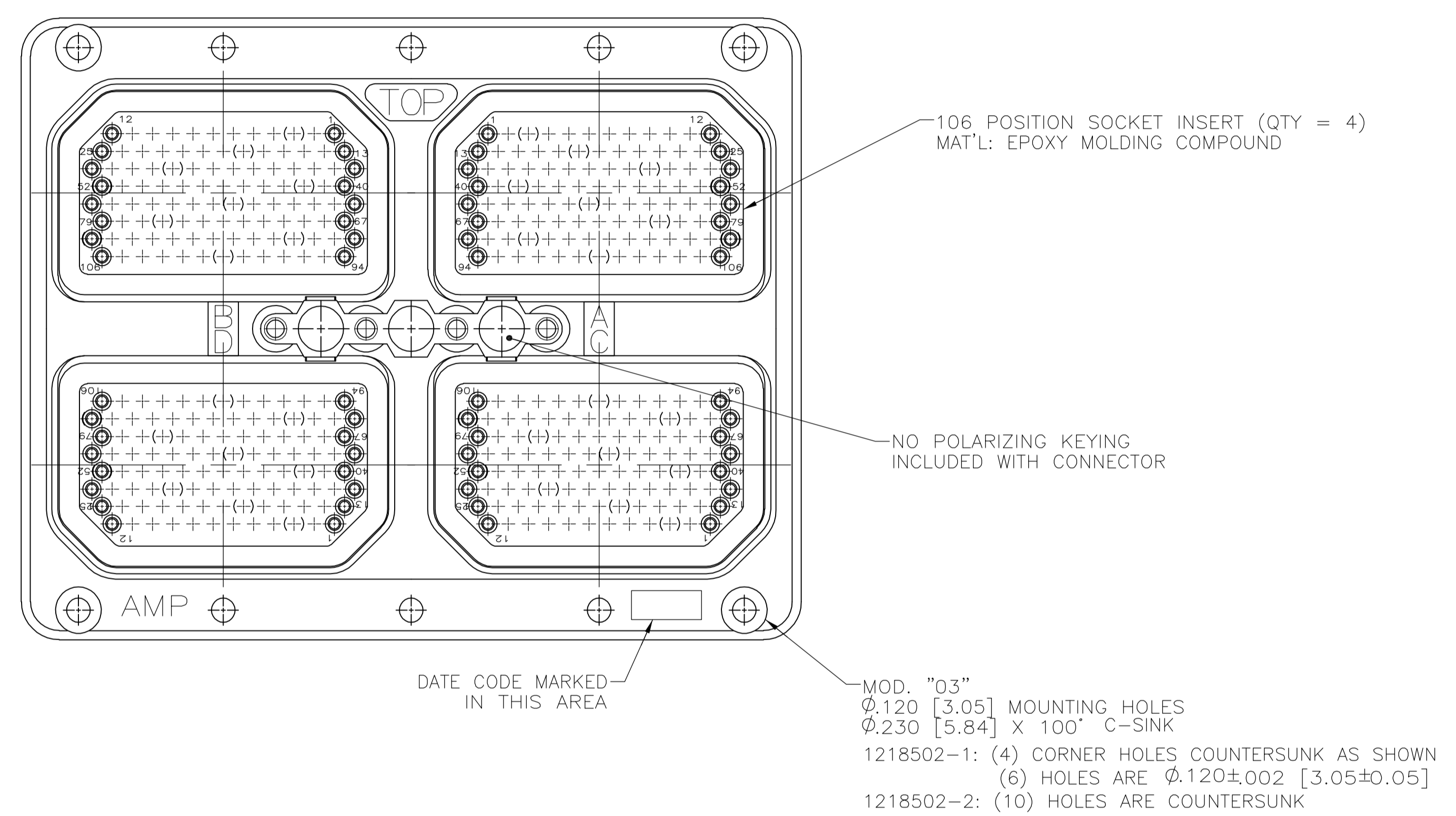
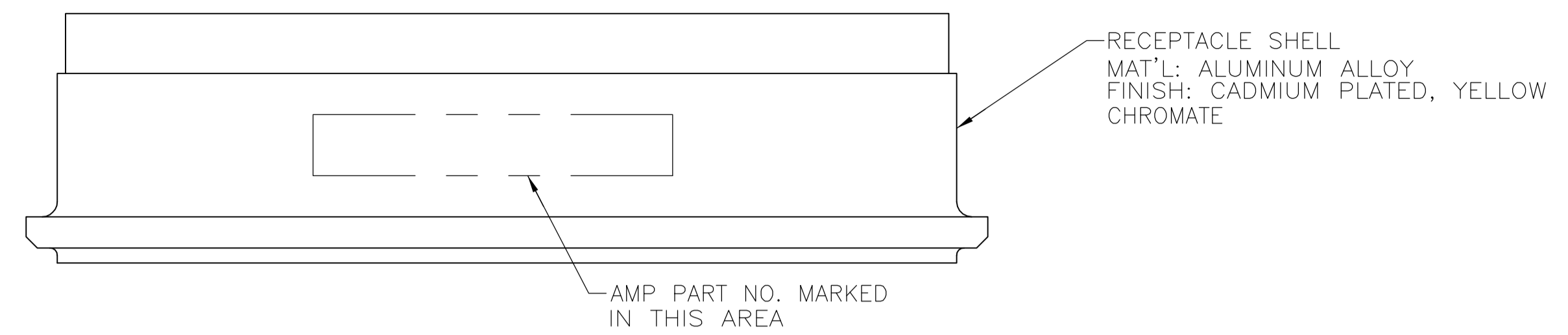
## Contact us

Tel: +86-755-8981 8866 Fax: +86-755-8427 6832

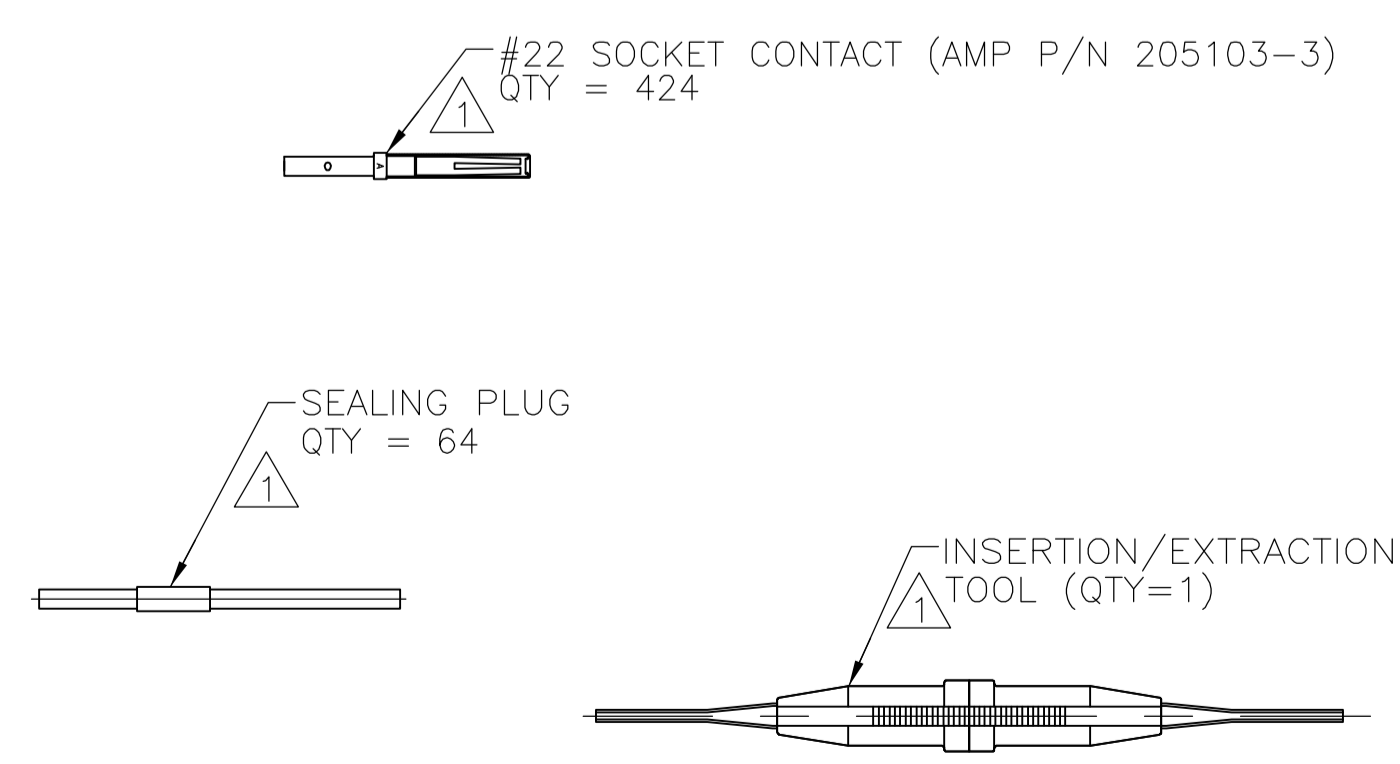
Email & Skype: info@chipsmall.com Web: www.chipsmall.com

Address: A1208, Overseas Decoration Building, #122 Zhenhua RD., Futian, Shenzhen, China





⚠ THESE ITEMS ARE PACKAGED SEPARATELY AND SHIPPED WITH CONNECTOR.



10 CSK HOLES	1218502-2
4 CSK HOLES	1218502-1
REMARKS	PART NUMBER

THIS DRAWING IS A CONTROLLED DOCUMENT.		DIN C.C.THOMAS 7-21-99	Tyco Electronics Corporation Harrisburg, PA 17105-3608												
DIMENSIONS: INCHES		CHK B.GROSS 7-21-99													
TOLERANCES UNLESS OTHERWISE SPECIFIED:		APVD B.GROSS 7-21-99	NAME RECEPTACLE ASSY, ARINC 404 MME4R106S106S106S106S-0300 (200)												
<table border="1"> <tr> <td>0 PLC</td> <td>± -</td> </tr> <tr> <td>1 PLC</td> <td>± -</td> </tr> <tr> <td>2 PLC</td> <td>± -</td> </tr> <tr> <td>3 PLC</td> <td>± .005 [0.13]</td> </tr> <tr> <td>4 PLC</td> <td>± -</td> </tr> <tr> <td>ANGLES</td> <td>± -</td> </tr> </table>		0 PLC	± -	1 PLC	± -	2 PLC	± -	3 PLC	± .005 [0.13]	4 PLC	± -	ANGLES	± -	PRODUCT SPEC	SIZE A1
0 PLC	± -														
1 PLC	± -														
2 PLC	± -														
3 PLC	± .005 [0.13]														
4 PLC	± -														
ANGLES	± -														
MATERIAL SEE CALLOUTS		FINISH SEE CALLOUTS	WEIGHT A1 00779												
CUSTOMER DRAWING		SCALE 2:1	SHEET 1 OF 1												